

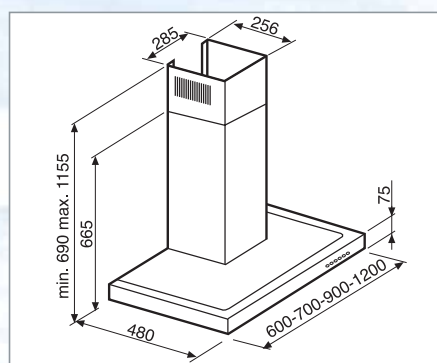
BOX-600 / BOX-700 / BOX-900 / BOX-1200

**VERSIONS Stainless**

BOX-600: 60 cm wide
BOX-700: 70 cm wide
BOX-900: 90 cm wide
BOX-1200: 120 cm wide

- Tangential motor/capacitor motor
- Illumination: 2 halogen 20 W lamps (BOX-1200, 3 of 20 W)
- Professional type metal filters
- Frontal, push button, speed selector
- Telescopic chimney fitting
- Backdraft shutter
- Reducer for discharge conduit to 120 mm
- Air recirculation through carbon filters (optional/available under request)

■ **Dimensions (mm)**



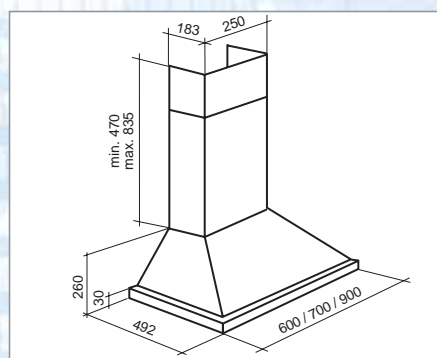
HA-600 SLIM / HA-700 SLIM / HA-900 SLIM

**VERSIONS Stainless / White / Black**

HA-600 Slim: 60 cm wide
HA-700 Slim: 70 cm wide
HA-900 Slim: 90 cm wide

- Tangential motor/capacitor motor
- Illumination: 2 lamps of 40 W
- Professional type metal filters
- Frontal, push button, speed selector
- Telescopic chimney
- Backdraft shutter
- Reducer for discharge conduit to 120 mm
- Air recirculation through carbon filters (optional/available under request)
- Chrome tray (optional)

■ **Dimensions (mm)**



■ **Technical characteristics**

Model	Airflow at free discharge (m³/h)	Diameter discharge tube (mm)	Motors	Speed (r.p.m.)	Voltage (V)	Power (W)	Current (A)	Sound pressure level (dB (A))
BOX	525	150	1	3	230	205	0,75	65
HA SLIM	700	150	1	3	230	210	0,9	58



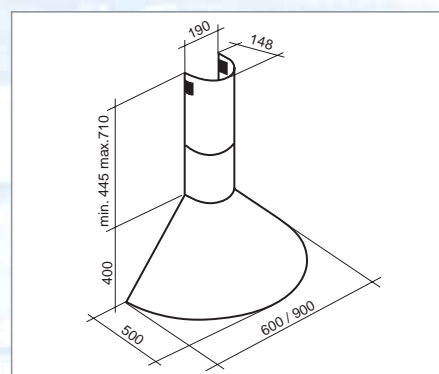
**VERSIONS Stainless**

SELENE-600 N: 60 cm wide

SELENE-900 N: 90 cm wide

- Tangential motor/capacitor motor
- Illumination: 2 lamps of 40 W
- Professional type metal filters
- Frontal, push button, speed selector
- Telescopic chimney
- Backdraft shutter
- Reducer for discharge conduit to 120 mm
- Air recirculation through carbon filters (optional/available under request)
- Chrome tray (optional)

■ Dimensions (mm)



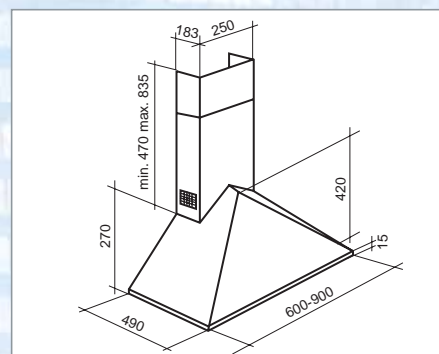
**VERSIONS Stainless**

KEOPS-600: 60 cm wide

KEOPS-900: 90 cm wide

- Tangential motor/capacitor motor
- Illumination: KEOPS-600 N. 2 halogen lamps 2x20 W/ KEOPS-900 N. 3 halogen lamps 3x20 W
- Professional type metal filters
- Frontal, push button, speed selector
- Telescopic chimney
- Backdraft shutter
- Reducer for discharge conduit to 120 mm
- Air recirculation through carbon filters (optional/available under request)
- Chrome tray (optional)

■ Dimensions (mm)



■ Technical characteristics

Model	Airflow at free discharge (m <sup>3</sup> /h)	Diameter discharge tube (mm)	Motors	Speed (r.p.m.)	Voltage (V)	Power (W)	Current (A)	Sound pressure level (dB (A))
SELENE N	700	150	1	3	230	210	0,9	56
KEOPS N	700	150	1	3	230	210	0,9	58



**ELEGANCE-60**

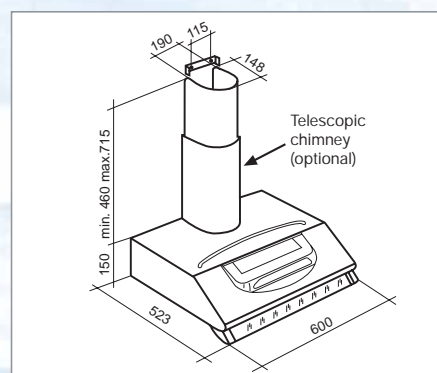
**VERSIONS** Stainless (with push button switch)

White (with sliding switch)

60 cm wide

- Tangential motor/ capacitor motor
- Illumination: Two 40 W lamps
- Professional type metal filters
- Frontal, push button, speed selector
- Backdraft shutter
- Air recirculation through carbon filters (optional/available under request)
- Telescopic chimney CHE available in white and stainless steel versions under request.
- Chrome tray under request.

■ Dimensions (mm)



700 m<sup>3</sup>/h



**PAMELA 600 / PAMELA 700 / PAMELA 900**

**VERSIONS** Stainless

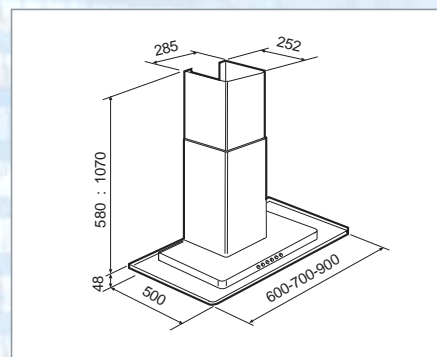
PAMELA 600: 60 cm wide

PAMELA 700: 70 cm wide

PAMELA 900: 90 cm wide

- Tangential motor/capacitor motor
- Illumination: 2 halogen lamps (2x20 W)
- Professional type metal filters
- Frontal, push button, speed selector
- Telescopic chimney
- Backdraft shutter
- Reducer for discharge conduit to 120 mm
- Air recirculation through carbon filters (optional/available under request)

■ Dimensions (mm)



■ Technical characteristics

Model	Airflow at free discharge (m <sup>3</sup> /h)	Diameter discharge tube (mm)	Motors	Speed (r.p.m.)	Voltage (V)	Power (W)	Current (A)	Sound pressure level (dB (A))
ELEGANCE-60	290	120	2	3	230	300	1,4	55
PAMELA	700	150	1	3	230	210	0,9	54





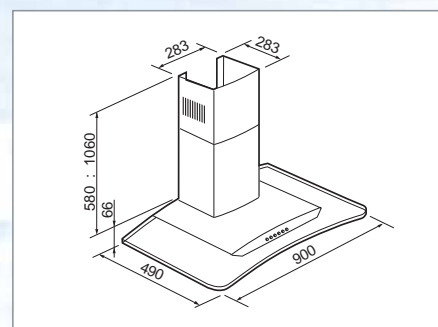
ONDA CRISTAL 900

VERSIONS **Stainless**

ONDA CRISTAL: 90 cm wide

- **Tangential motor/capacitor motor**
- Illumination: 2 halogen lamps (2x20 W)
- Professional type metal filters
- Push button, "luminous" type speed selector
- Telescopic chimney
- Backdraft shutter
- Reducer for discharge conduit to 120 mm
- Air recirculation through carbon filters (optional/available under request)

■ Dimensions (mm)



GEMA 600 / GEMA 900

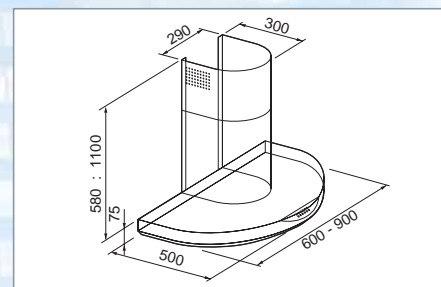
VERSIONS **Stainless**

GEMA 600: 60 cm wide

GEMA 900: 90 cm wide

- **Tangential motor/capacitor motor**
- Illumination: GEMA 600, 2 halogen lamps (2x20 W) / GEMA 900. Three halogen lamps (3x20 W)
- Professional type metal filters
- **"Touch control" electronic speed selector**
- Timer (15 min.)
- Filter saturation warning
- Telescopic chimney
- Backdraft shutter
- Reducer for discharge conduit to 120 mm
- Air recirculation through carbon filters (optional/available under request)

■ Dimensions (mm)



■ Technical characteristics

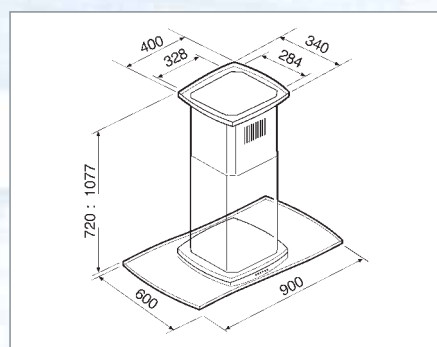
Model	Airflow at free discharge (m <sup>3</sup> /h)	Diameter discharge tube (mm)	Motors	Speed (r.p.m.)	Voltage (V)	Power (W)	Current (A)	Sound pressure level (dB (A))
ONDA CRISTAL	700	150	1	3	230	210	0,9	53
GEMA	700	150	1	3	230	210	0,9	55



VERSIONS **Stainless**  
MENORCA 900: 90 cm wide

- Tangential motor/capacitor motor
- Illumination: 2 halogen lamps (2x20 W)
- Professional type metal filters
- "Touch control" electronic speed selector
- Timer (15 min.)
- Filter saturation warning
- Telescopic chimney
- Backdraft shutter
- Reducer for discharge conduit to 120 mm
- Air recirculation through carbon filters (optional/available under request)

■ Dimensions (mm)



■ Technical characteristics

Model	Airflow at free discharge (m <sup>3</sup> /h)	Diameter discharge tube (mm)	Motors	Speed (r.p.m.)	Voltage (V)	Power (W)	Current (A)	Sound pressure level (dB (A))
MENORCA 900	625	150	1	3	230	210	0,9	56

■ Decorative hood accessories



**BAND RED**

Chromed trays suitable for SELENE-N and ELEGANCE models.  
Dimensions: 60 and 90 cm



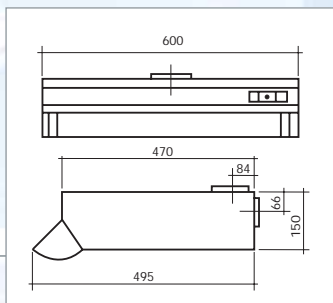
**BAND CDR**

Chromed trays suitable for KEOPS-N and HA-Slim models.  
Dimensions: 60, 70 and 90 cm

# TRADITIONAL HOODS



## HP-60 / HP-60bi



Dimensions (mm)



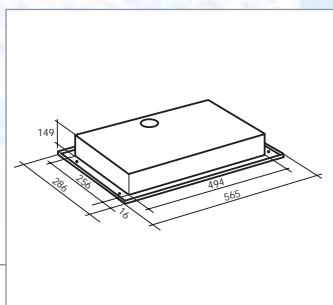
**VERSIONS** White/ Brown

HP-60: 60 cm wide

HP-60bi: 60 cm wide

- One motor (HP-60) or two motors (HP-60bi)
- 3 speed
- Two 40 W lamps
- Metal filter
- Backdraft shutter
- Upper or rear extraction
- Air recirculation through carbon filters (optional/available under request)

## GE-350N / GE-350Nbi



Dimensions (mm)



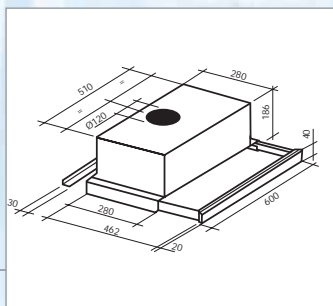
**VERSIONS** White/Brown

GE-350N: 56,5 cm wide

GE-350Nbi: 56,5 cm wide

- Fittable assembly
- One motor (GE-350N) or two motors (GE-350Nbi)
- 3 speed
- 240 W lamps
- Metal filter
- Backdraft shutter
- Upper extraction
- Air recirculation through carbon filters (optional/available under request)

## GET-60NC / GET-60NCbi



Dimensions (mm)



**VERSIONS** White

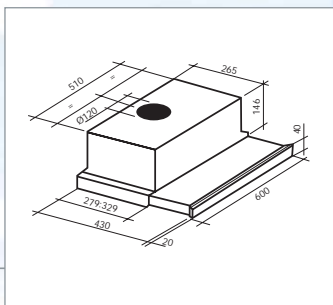
GET-60NC: 60 cm wide

GET-60NCbi: 60 cm wide

- Hood with telescopic glass extension
- One motor (GET-60NC) or two motors (GET-60NCbi)
- 3 speed
- Safety switch
- Illumination: two 40 W lamps
- Metal filter
- Backdraft shutter
- Upper extraction
- Air recirculation through carbon filters (optional/available under request)



## GET-60NF / GET-60NFbi



Dimensions (mm)



### VERSIONS

GET-60NF: 60 cm wide. **White**

GET-60NFbi: 60 cm wide. **White**

GET-60NFbi: 60 cm wide. **Brown**

GET-60NFbi: 60 cm wide. **Metal**

- Hood with telescopic extension filter
- One motor (GET-60NF) or two motors (GET-60NFbi)
- 3 speed
- Safety switch
- Illumination: two 40 W lamps
- Metal filters
- Backdraft shutter
- Upper extraction
- Air recirculation through carbon filters (optional/available under request)



### Upper or rear extraction

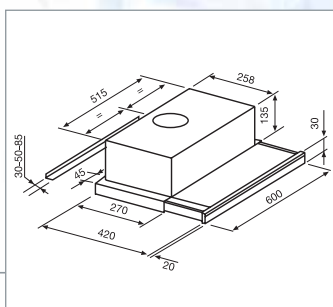
Easing the outlet installation of smoke and grease



### Air recirculation of air

Carbon filters allow to use the kitchen hood when the extraction function can not operate.

## GET-60NF PLUS



Dimensions (mm)



### VERSIONS **Stainless**

GET-60NF PLUS: 60 cm wide

- Hood with telescopic extension filter
- **Capacitor motor**
- 3 speed
- Safety switch
- Illumination: two 20 W halogen lamps
- Metal filters
- Backdraft shutter
- Upper extraction
- Air recirculation through carbon filters (optional/available under request)

### ■ Technical characteristics

Model	Airflow at free discharge (m <sup>3</sup> /h)	Diameter discharge tube (mm)	Motors	Voltage (V)	Power (W)	Absorbed current (A)	Sound pressure level (dB (A))
HP-60/HP-60bi	300/450	120	1/2	230	130/260	1,30/2,20	47/50
GE-350N/GE-350Nbi	300/450	120	1/2	230	130/260	1,30/2,20	51/55
GET-60NC/GET-60NCbi	230/330	120	1/2	230	180/280	1,30/2,20	45/50
GET-60NF/GET-60NFbi	230/330	120	1/2	230	180/280	1,30/2,20	46/50
GET-60NF Plus	525	120/150	1	230	205	0,75	65

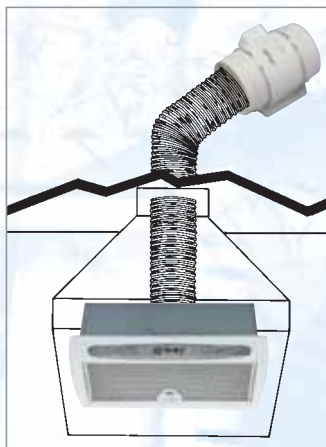


Through many years of experience in dealing with kitchen extract systems S&P are able to offer a new concept that replaces the traditional cooker hood unit.

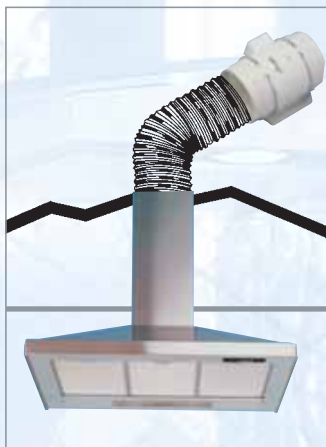
**The Remote Extraction**

- This new design has a double aim:
1. To move the extractor further away from cooking area and therefore lowering the ambient noise radiated.
  2. To achieve a higher smoke, grease and vapour extract rate.

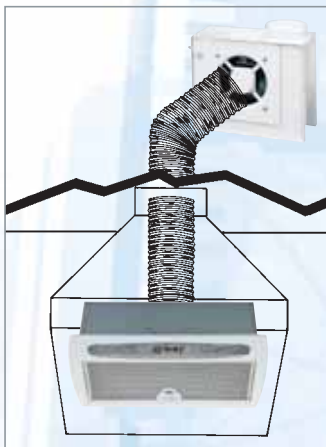
TD+CF-60



TD+HS-600 / HS-900



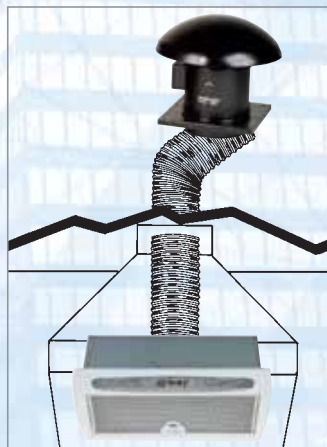
CKB+CF-60



CKB+HS-600 / HS-900



TH+CF-60



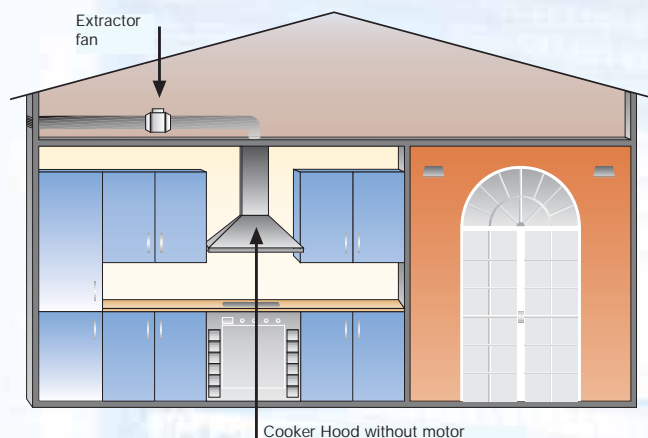
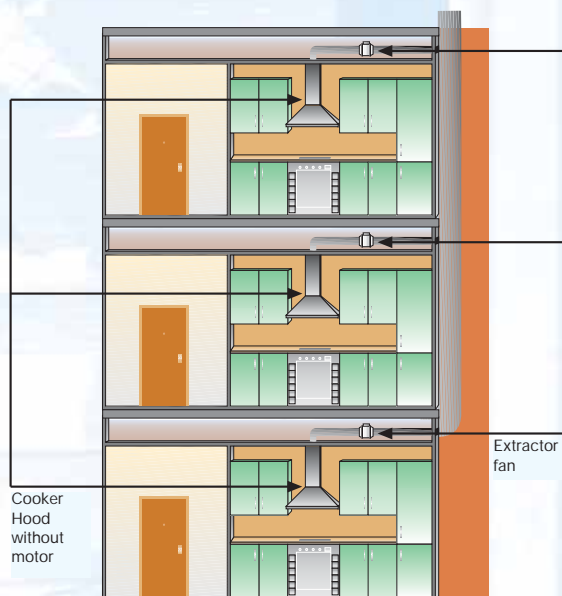
TH+HS-600 / HS-900





## IN-LINE FAN SYSTEM

By installing a canopy hood, with filter and controls, along with a remote mounted duct fan provides enormous flexibility of installation.



### TD-800



Mixed flow in-line fan, type TD-800/200 N with an airflow performance of 800 m<sup>3</sup>/h. Speed controllable from the cooker hood and designed to be installed at any point of the duct.

### Technical characteristics

Model	Airflow at free discharge (m <sup>3</sup> /h)	Diameter discharge tube (mm)	Voltage (V)	Power (W)	Sound pressure level (dB (A))
TD-800	800	200	230	140	45
CKB-800	800	200	230	175	60

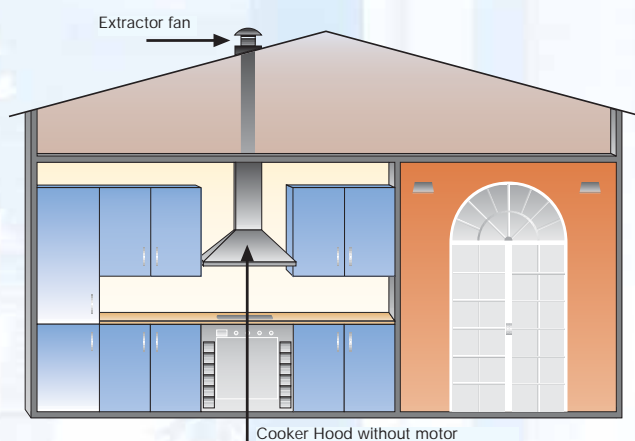
### CKB-800



Centrifugal fan with an airflow performance of 800 m<sup>3</sup>/h. Controllable from the cooker hood and designed to be installed within the duct.

## ROOF MOUNTED FAN SYSTEM

By installing a canopy hood, with filter and controls, along with a remote mounted duct fan provides enormous flexibility of installation.



### TH-800



Centrifugal roof extract fan with an airflow performance of 800 m<sup>3</sup>/h. Controllable from the cooker hood and designed for roof mounted installations either in buildings or in houses.

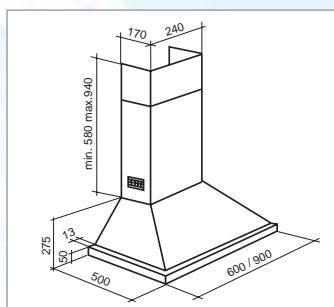
#### ■ Technical characteristics

Model	Airflow at free discharge (m <sup>3</sup> /h)	Diameter at free discharge (mm)	Voltage (V)	Power (W)	Sound pressure level (dB (A))
TH-800	800	200	230	140	52

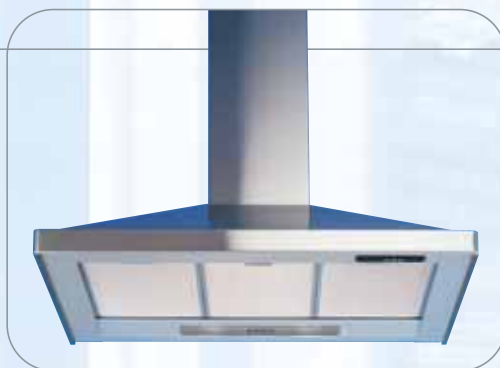
# COOKER HOODS WITHOUT MOTOR

For the remote extraction installation

## HS-600 / HS-900



Dimensions (mm)



**VERSIONS** Stainless

HS-600: 60 cm wide

HS-900: 90 cm wide

- **Decorative cooker hoods without motor**
- Illumination: two 40 W lamps
- Professional type metal filters
- Fan system speed controllable
- Telescopic chimney



Fitted with control panel to control the speed of the fan.

## MOUNTING KIT «H»

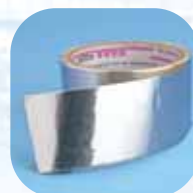
To ease the installation of the decorative cooker hoods HS-600 and HS-900 regardless of the fan, a mounting kit with the required accessories is offered below:



**GAR-190/150**  
Flexible aluminium  
190x150mm ducting  
with circular ends.  
3m long.

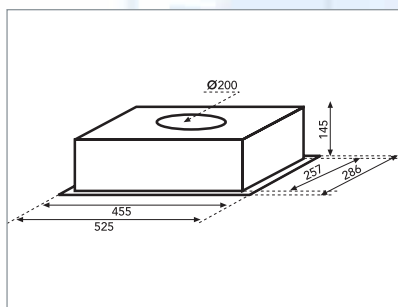


**FLANGE-200**  
Circular duct coupling.  
For fans CKB-800



**BA-50**  
Aluminium adhesive  
connection tape to fix  
the accessories for the  
remote extraction  
installation.  
5 m long.

## CF-60



Dimensions (mm)



**VERSIONS** White Brown Stainless

CF-60: 53 cm wide

- **Unit without motor**, to fit in the cupboard
- Illumination: two 40 W lamps
- Professional type metal filters
- Fan system speed controllable



Fitted with control panel to control the speed of the fan.

## MOUNTING KIT «F»

To ease the installation of the group CF-55 regardless of the fan, a mounting kit with the required accessories is offered below:



**GSA-200**  
Flexible aluminium  
190x150mm ducting  
with circular ends.  
3 m long.



**BRIDA-200**  
Circular duct coupling.  
For fans CKB-800



**BA-50**  
Aluminium adhesive  
connection tape to fix  
the accessories for the  
remote extraction  
installation.  
5m long.