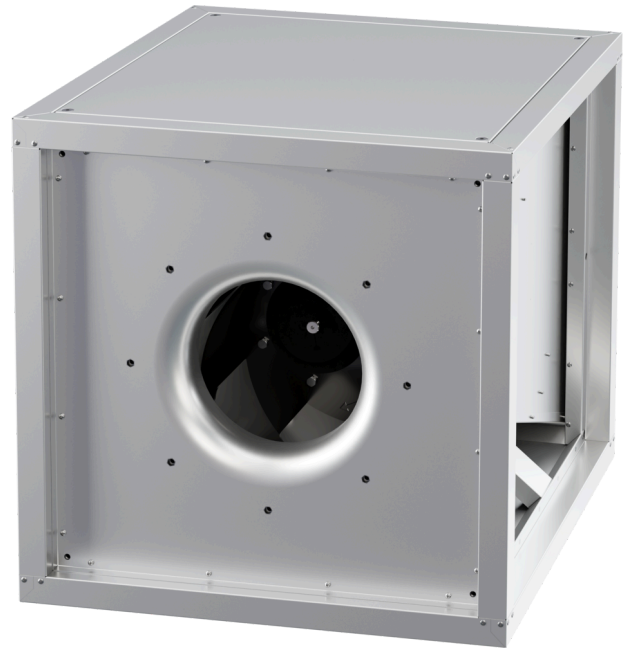


# MPC 400 EC T30

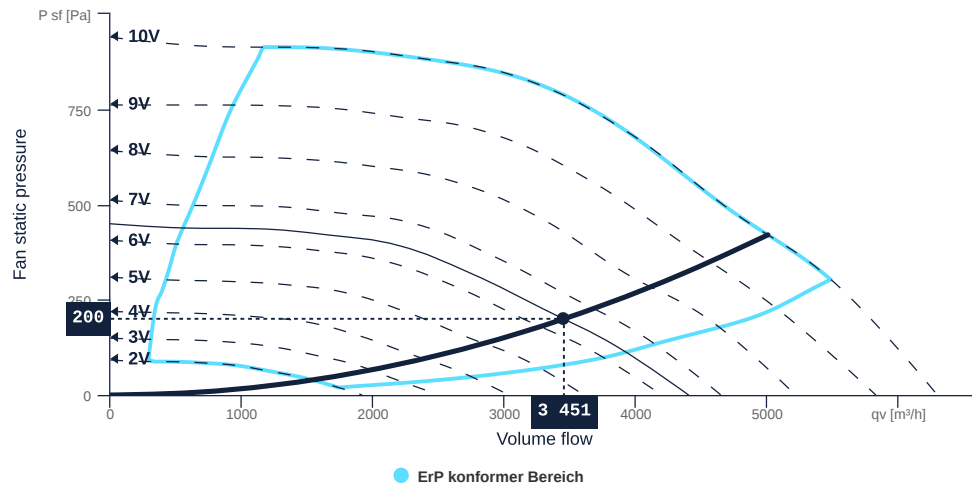
149327

- Backward curved radial impeller
- Removable side walls, variable discharge direction
- Sheet steel housing double-walled, 30 mm mineral wool
- EC motor outside the airflow, controllable
- Conveyed medium temperature up to 120 °C in continuous operation
- Housing bottom designed with integrated drain



## FAN CURVES

Name	Value	Unit
Volume flow	3451	m³/h
Pressure	200	Pa



to the product detail page

# MPC 400 EC T30

149327

## TECHNICAL SPECIFICATIONS

Name	Value	Unit	Formula symbol
Volume flow	3451	m <sup>3</sup> /h	QV <sub>calc</sub>
Pressure	200	Pa	psf <sub>calc</sub>
Fan pressure	205	Pa	pf
Fan static pressure	200	Pa	psf
Current consumption Motor	3	A	I <sub>e</sub>
Electrical power consumption	383	W	P <sub>ek</sub>
Control voltage	6	V	U <sub>ctrl</sub>
Rotation speed	1379	1/min	N
Total static efficiency	49	%	etaFaPeK
Total efficiency	51	%	etatPeK
SFP (entire device)	400	W/(m <sup>3</sup> /s)	sfp <sub>device</sub>
Sound power level inlet	76	dB(A)	LwA5
Sound power level outlet	77	dB(A)	LwA6
Sound power level housing radiation	65	dB(A)	LwA2

## SOUND DATA

Sound power	mid-frequency tape										Unit	Formula symbol
	Σ	63	125	250	500	1000	2000	4000	8000	16000		
suction	76	43	69	70	71	68	66	61	64	43	dB(A)	LwA5
blowout	77	44	66	66	71	73	68	62	63	40	dB(A)	LwA6
Casing break out	66	41	61	55	62	55	52	49	44	40	dB(A)	LwA2

## SOUND PRESSURE LEVEL CALCULATOR

Name	Value	Unit
Enveloping surface	Halphsphere	
Distance	3	m

Sound pressure	NR	mid-frequency tape										Unit	Formula symbol
		Σ	63	125	250	500	1000	2000	4000	8000	16000		
suction	53	59	26	51	52	54	51	48	44	46	25	dB(A)	LwA5
blowout	55	60	27	48	49	54	56	50	45	45	23	dB(A)	LwA6
Casing break out	43	48	24	44	37	44	38	35	31	27	23	dB(A)	LwA2



to the product detail page

# MPC 400 EC T30

149327

**ruck**

## GENERAL DATA

Name	Value	Unit	Formula symbol
Labeling	CE, UKCA		
Duct size	-		WxH <sub>duct</sub>
Pipe connection size (DN)	DN500		DN
Rated voltage (entire device)	230	V	U <sub>rated</sub>
Phases (entire device)	1~		phase
Electrical protection (entire device)	10 A		fuse
Housing material	Galvanized steel		mat <sub>casing</sub>
Impeller material	Steel		mat <sub>impeller</sub>
Weight	40	kg	m
Nominal air flow rate, nominal point m <sup>3</sup> /h	3391.2	m <sup>3</sup> /h	q <sub>v,nom</sub>
Nominal external pressure, static	621.9	Pa	p <sub>s,nom</sub>
Fan type	Radial		Fan <sub>type</sub>
Category / Installation situation	A		cat

## ERP DATA (LOT 6)

Name	Value	Unit	Formula symbol
Nominal air flow rate, nominal point m <sup>3</sup> /s	0.94	m <sup>3</sup> /s	q <sub>v,nom</sub>
Actual electrical input power, nominal point	0.95	kW	P <sub>e,nom</sub>
Face velocity, nominal point	2.9	m/s	v <sub>nom</sub>
Nominal external pressure, static	621.9	Pa	p <sub>s,nom</sub>
supply air fan static efficiency, nominal point	62.4	%	η <sub>es,SUP</sub>
Highest external air leakage rate	0.13	%	
Enclosure sound level, nominal point	74	dB(A)	L <sub>WA2</sub>
Rating	Product is compliant 2018		

## MAXIMAL DATA

Name	Value		Unit	Formula symbol
	50 Hz	60 Hz		
Max. power consumption (device)	1248	1248	W	P <sub>ed,max</sub>
Max. operating current (device)	8.8	8.8	A	I <sub>ed,max</sub>
Max. speed	2000	2000	1/min	n <sub>max</sub>
Max. stat. efficiency	57.6	57.6	%	η <sub>es</sub>
Max. fan efficiency	58.1	58.1	%	η <sub>e</sub>
Max. flowrate	6293	6293	m <sup>3</sup> /h	q <sub>v,max</sub>
Max. stat pressure	939	939	Pa	p <sub>st,max</sub>
Max. medium temperature	120	120	°C	T <sub>m,max</sub>
Max. environment temperature	50	50	°C	T <sub>amb,max</sub>
Min. environment temperature	-20	-20	°C	T <sub>amb,min</sub>



to the product detail page

# MPC 400 EC T30

149327

**ruck**

## MOTOR DATA

Name	Value		Unit	Formula symbol
	50 Hz	60 Hz		
Rated frequency (device)		50		f
Motor type		EC		phase
Control type		stepless-controlled		ctrltype
Installation type		IRM (In)		install
Rotation direction		right		rotation
Isolation class		ISO F		ISOclass
Protection class		IP54		IP <sub>motor</sub>
Is pole-changeable		No		polexch
Type of power supply		AC 1~		pwrSUP <sub>motor</sub>
Rated voltage	230		V	U <sub>rated, f1</sub>
Rated current	8		A	I <sub>rated, f1</sub>
Shaft power	1100		W	P <sub>out, f1</sub>
Speed	2100		1/min	n <sub>f1</sub>
UL-Certification motor		None		ULcert

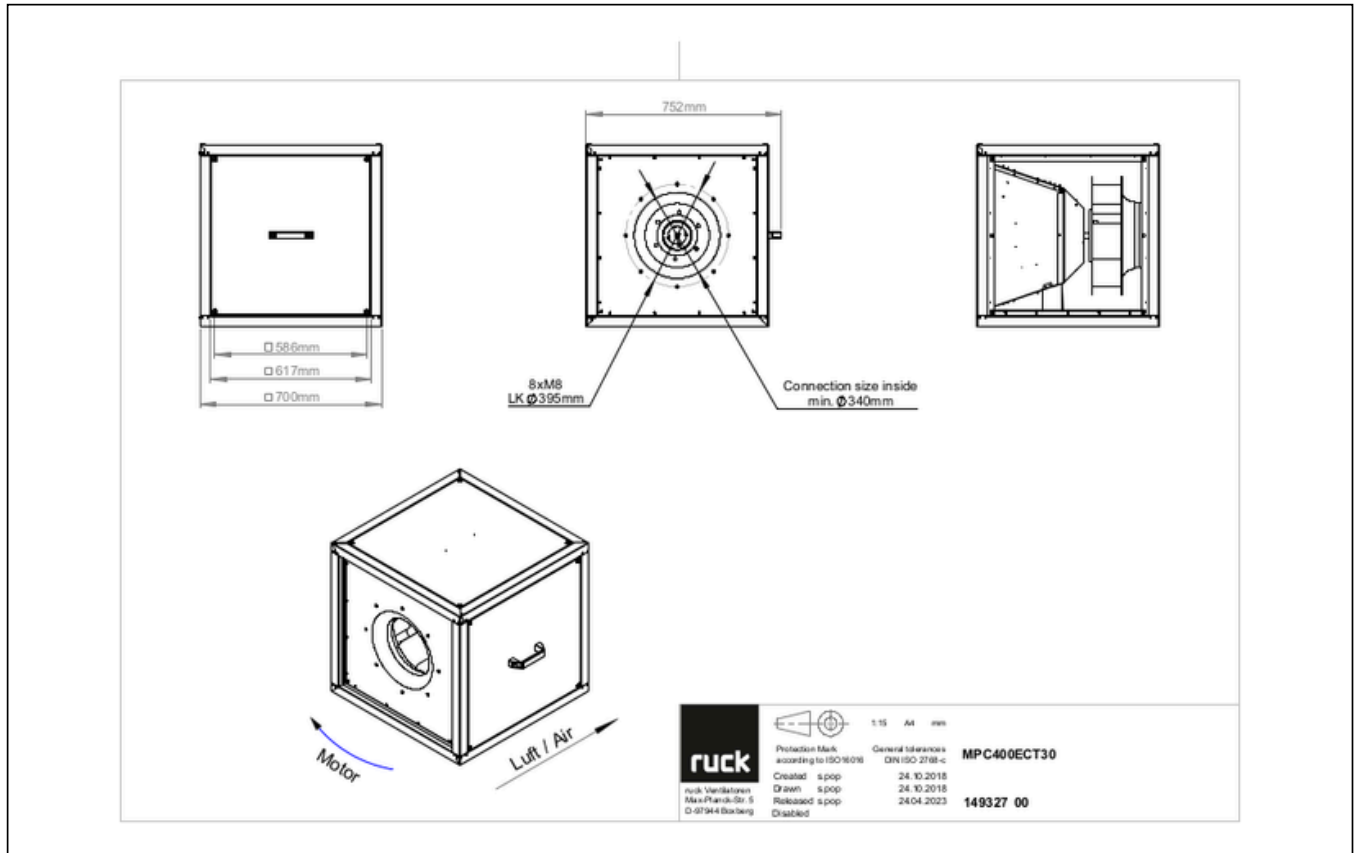


to the product detail page

# MPC 400 EC T30

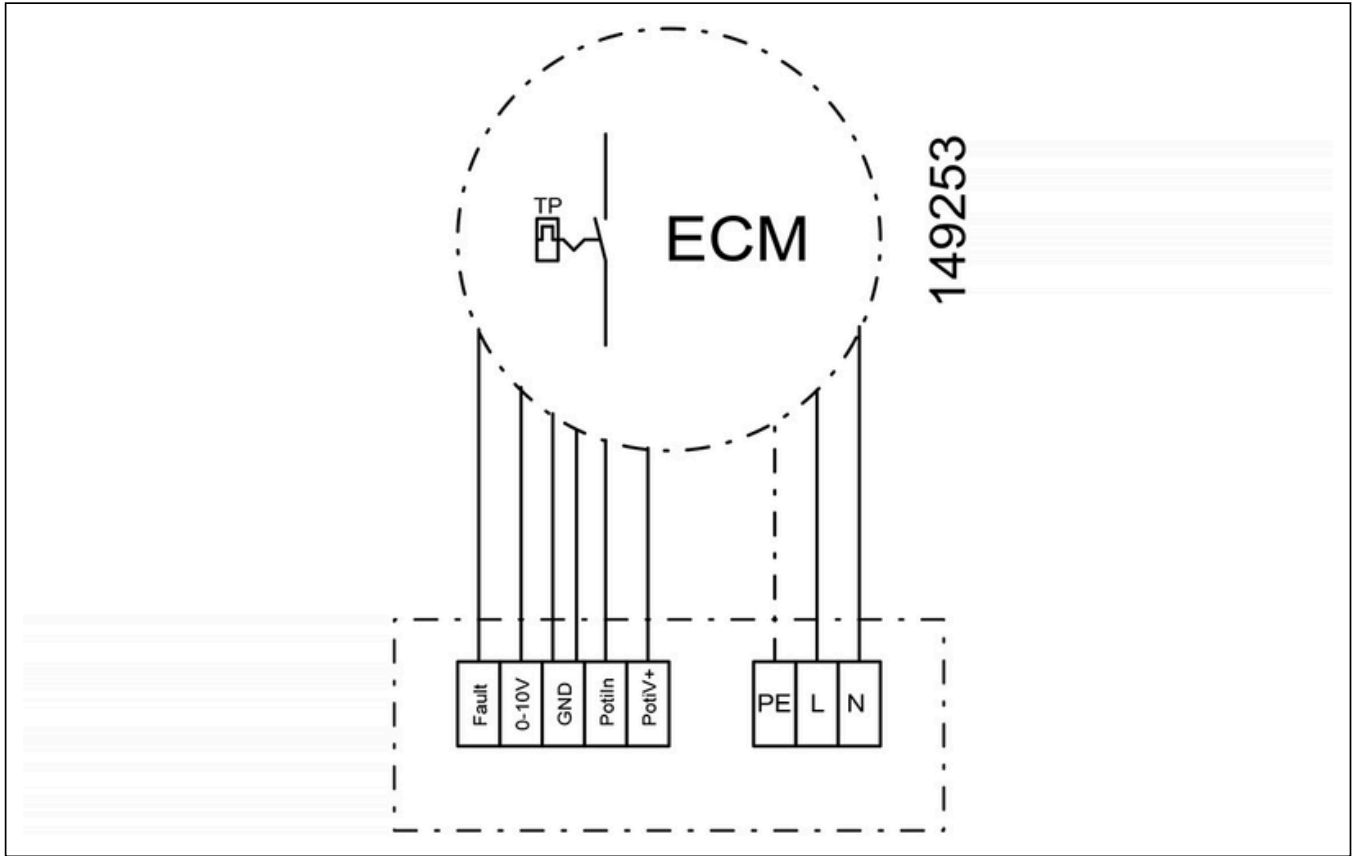
149327

## CIRCUIT DIAGRAMS / DIMENSIONAL DRAWINGS



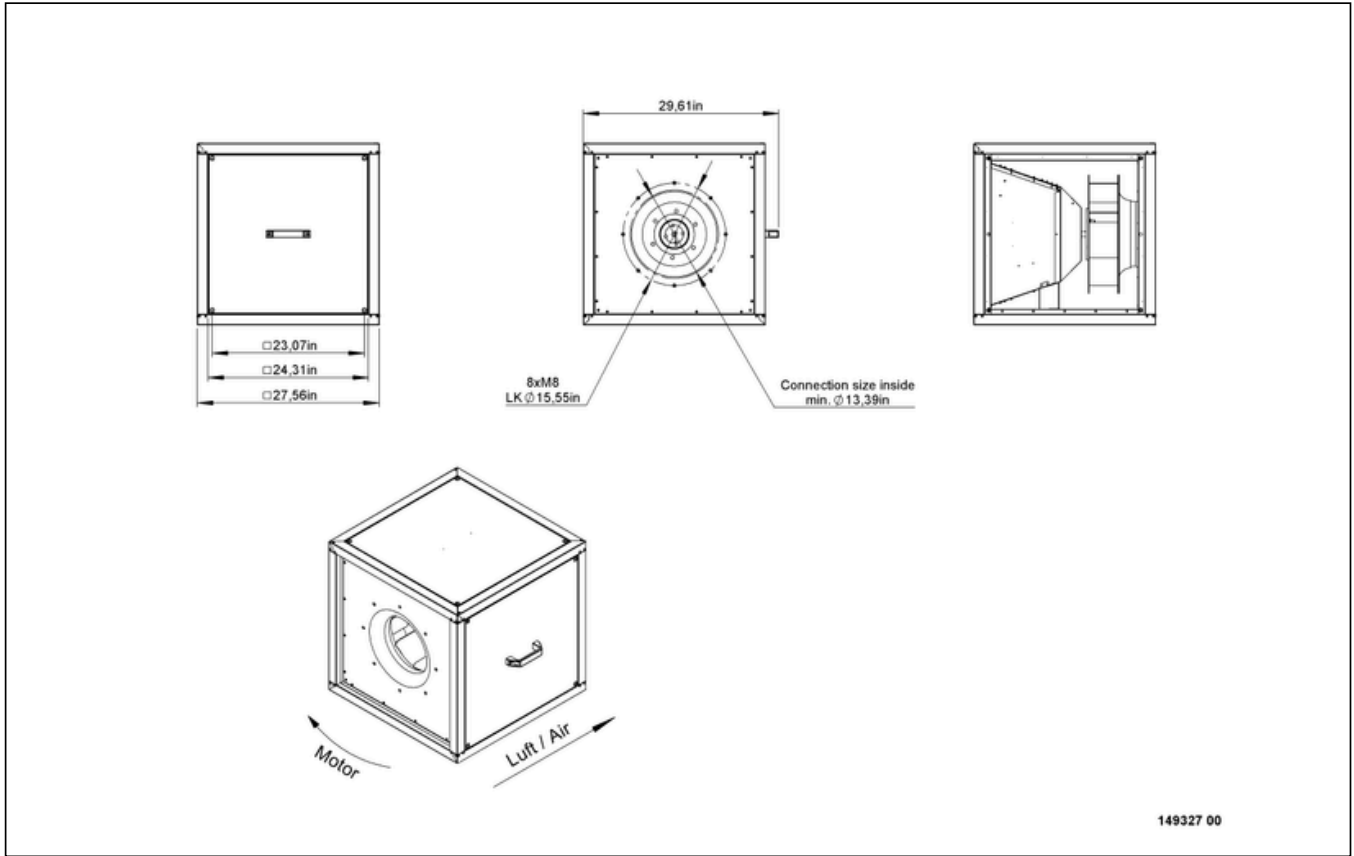
# MPC 400 EC T30

149327



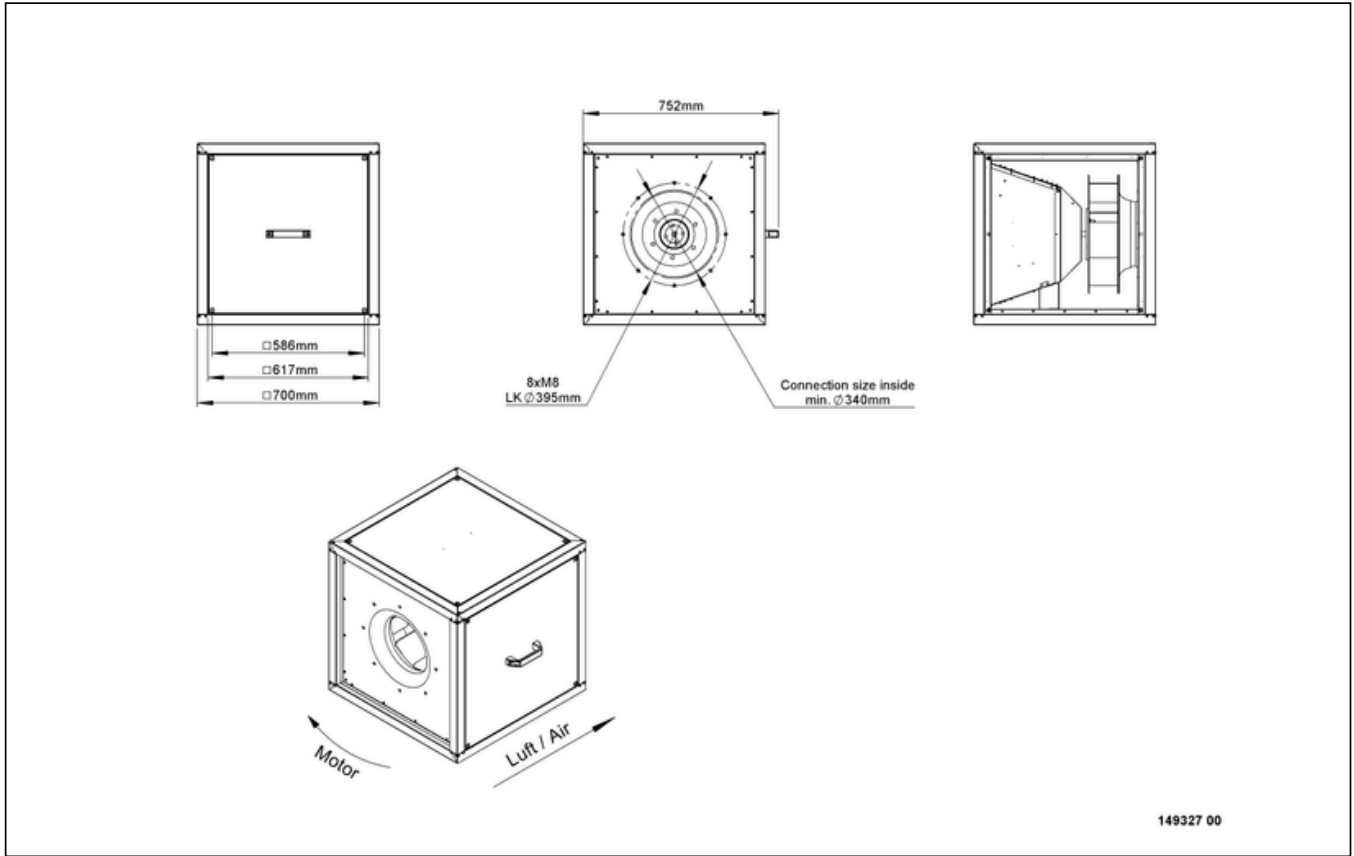
# MPC 400 EC T30

149327



# MPC 400 EC T30

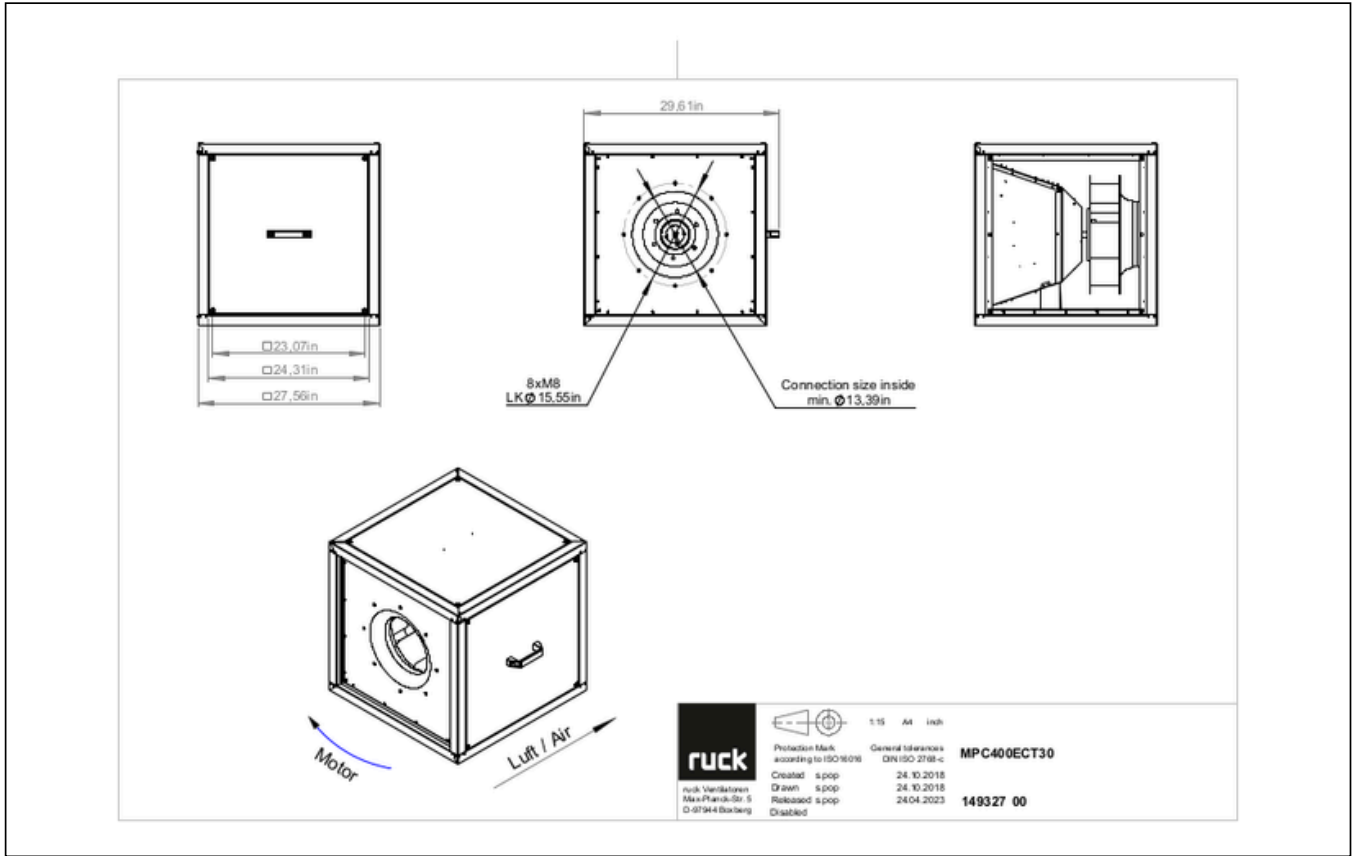
149327





# MPC 400 EC T30

149327



to the product detail page

# MPC 400 EC T30

149327

## MECHANICAL ACCESSORIES

**FB 700 | 160866**



- Air filter box for panel filter
- For MPC box 700
- For 1 or 2 filter (not included)
- Housing made of galvanized sheet steel

**USM 700 400 | 107214**



- Transition spigot
- Galvanized steel sheet
- Insulated

**USM 700 450 | 107240**



- Transition spigot
- Galvanized steel sheet
- Insulated

**USM 700 500 | 107241**



- Transition spigot
- Galvanized steel sheet
- Insulated

**MB MPC 02 | 116410**



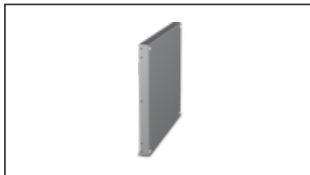
- Motor protection shield
- Sendzimir galvanized sheet

**GR MPC 02 | 123432**



- Base frame für MPC
- Galvanized steel sheet

**UCP 700 | 142568**



- Closed panel
- Galvanized steel sheet

**RVK 355 | 153889**



- Automatic tube shutter
- Sheet steel, powder coated
- For vertical installation
- Flange mounting

**RVK H 355 | 154872**



- Automatic tube shutter
- Sheet steel, powder coated
- For horizontal installation
- Flange mounting

**UQR 700 400 01 | 139863**



- Transition duct/tube
- Galvanized steel sheet
- Incl. 4 cylinder cap screws (M8 x 16 mm), 4 serrated lock washers for nominal size M8

**UQR 700 450 01 | 139868**



- Transition duct/tube
- Galvanized steel sheet
- Incl. 4 cylinder cap screws (M8 x 16 mm), 4 serrated lock washers for nominal size M8

**UQR 700 500 01 | 139871**



- Transition duct/tube
- Galvanized steel sheet
- Incl. 4 cylinder cap screws (M8 x 16 mm), 4 serrated lock washers for nominal size M8

**VM 400 | 102654**



- Fast clamps for sound decoupling and sealing
- Galvanized steel sheet, 5 mm
- Neopren gasket
- 1 Pack = 2 pieces

**VM 500 | 118094**



- Fast clamps for sound decoupling and sealing
- Galvanized steel sheet, 5 mm
- Neopren gasket
- 1 Pack = 2 pieces

**VM 450 | 119495**



- Fast clamps for sound decoupling and sealing
- Galvanized steel sheet, 5 mm
- Neopren gasket
- 1 Pack = 2 pieces

**AS MPC 400 | 140847**



- Inlet spigot
- Galvanized steel sheet

**AS MPC 450 | 140852**

**AS MPC 500 | 140871**

**RAF 355 | 154018**

**RVS 355 | 154176**



to the product detail page

# MPC 400 EC T30

149327



- Inlet spigot
- Galvanized steel sheet



- Inlet spigot
- Galvanized steel sheet



- Round flange
- Sheet steel, powder coated



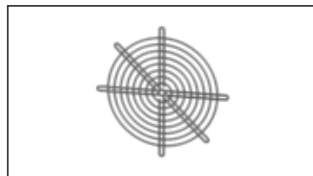
- Tube connection spigot
- Sheet steel, powder coated
- Suitable for outdoor installation
- Flange mounting

## ESD 355 | 153961



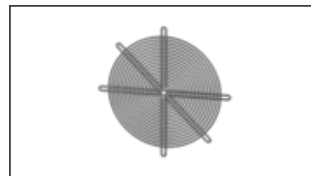
- Inlet cone
- Steel sheet, powder coated
- Flange mounting

## SGW 355 | 154049



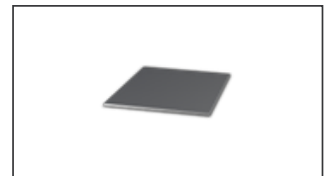
- Protection grille, wide meshed
- Steel sheet, galvanized
- Flange mounting

## SGE 355 | 154062



- Protection grille, narrow meshed
- Steel sheet, galvanized
- Flange mounting

## RD MPC 700 | 140093



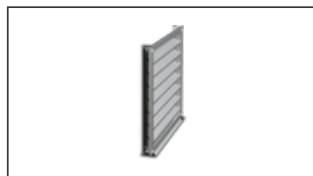
- Rain cover for outdoor installation
- Galvanized steel sheet

## WSH MPC 02 | 123433



- Weather protection hood
- Galvanized steel sheet

## WSG MPC 700 | 140748



- Weather protection grille
- Galvanized steel sheet

## RAS 355 | 154247



- Round spigot, flexible
- Galvanized steel sheet, plastic band (PES)
- Temperature resistant up to 75 °C
- Flange mounting



to the product detail page

# MPC 400 EC T30

149327

## ELECTRICAL ACCESSORIES

GS 03 | 107633



- Device switch
- $U_{max} = 400\text{ V}$ ,  $I_{max} = 25\text{ A}$
- Switching capacity  $400\text{ V } 3\sim = 5,5\text{ kW}$
- Protection class IP 55

MTP 20 | 128146



- Potentiometer  $10\text{ k}\Omega$
- Switching contact  $1\text{A}/250\text{V AC}$  -  $2,5\text{A}/12\text{V DC}$
- Max. ambient temperature  $50\text{ }^\circ\text{C}$
- VDE

MTP 30 | 143289



- Stepped potentiometer  $10\text{ k}\Omega$
- Step 1 + 2 settable  $10\% - 100\% \text{ Vdc}$
- Step 3  $100\% \text{ Vdc}$
- Supply voltage  $+10\text{ Vdc}$

MTP 40 | 147359



- Potentiometer  $10\text{ k}\Omega$
- Connection in terminal box
- Max. ambient temperature  $50\text{ }^\circ\text{C}$
- PU: 20 pieces

SEN AIR | 148641



- Airflow and temperature transducer
- Measuring range temperature  $0...+50\text{ }^\circ\text{C}$
- With adjustable switching threshold (air speed)
- Measuring range air velocity up to  $20\text{ m/s}$

CON P1000 | 115259



- Constant pressure control
- Actual value display possible via optional control unit
- Output  $0-10\text{ V DC}$  + FC enable + setpoint reached
- Pressure setting by means of decade switch

MTP 50 | 153133



- Potentiometer with multifunction output
- $230\text{ VAC } \pm 10\% / 50-60\text{ Hz}$
- Selectable output:  $1-10\text{ VDC} / 2-20\text{ mA}$  /  $10-100\% \text{ PWM}$
- Min. and max. output value adjustable



to the product detail page