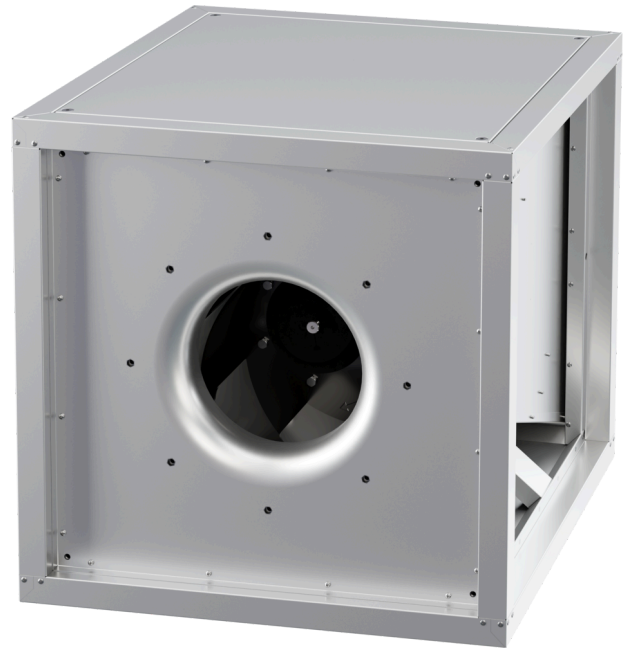


MPC 450 EC T30

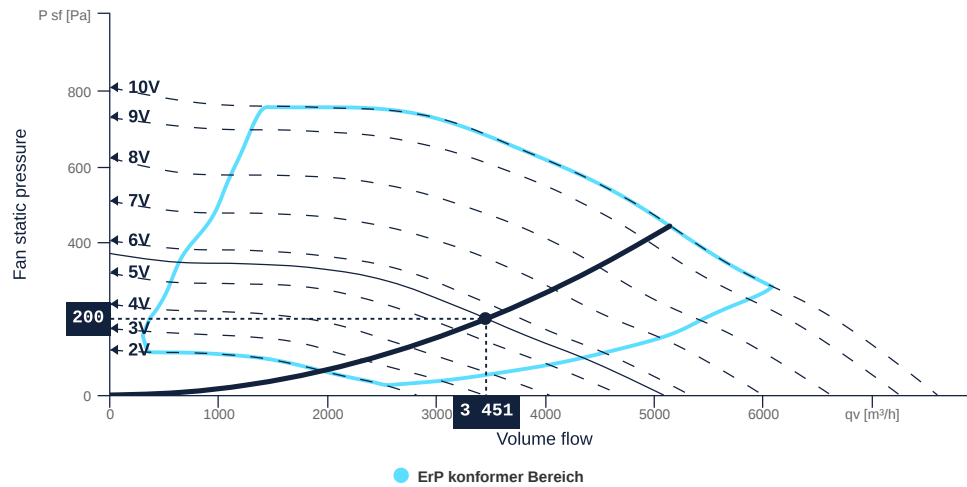
149331

- Backward curved radial impeller
- Removable side walls, variable discharge direction
- Sheet steel housing double-walled, 30 mm mineral wool
- EC motor outside the airflow, controllable
- Conveyed medium temperature up to 120 °C in continuous operation
- Housing bottom designed with integrated drain



FAN CURVES

Name	Value	Unit
Volume flow	3451	m³/h
Pressure	200	Pa



to the product detail page

MPC 450 EC T30

149331

TECHNICAL SPECIFICATIONS

Name	Value	Unit	Formula symbol
Volume flow	3451	m ³ /h	QV _{calc}
Pressure	200	Pa	psf _{calc}
Fan pressure	205	Pa	pf
Fan static pressure	200	Pa	psf
Current consumption Motor	2	A	I _e
Electrical power consumption	369	W	P _{ek}
Control voltage	5	V	U _{ctrl}
Rotation speed	1105	1/min	N
Total static efficiency	51	%	etaFaPeK
Total efficiency	53	%	etatPeK
SFP (entire device)	385	W/(m ³ /s)	sfp _{device}
Sound power level inlet	72	dB(A)	LwA5
Sound power level outlet	74	dB(A)	LwA6
Sound power level housing radiation	61	dB(A)	LwA2

SOUND DATA

Sound power	mid-frequency tape										Unit	Formula symbol
	Σ	63	125	250	500	1000	2000	4000	8000	16000		
suction	73	42	65	69	67	64	60	57	56	39	dB(A)	LwA5
blowout	74	44	67	65	69	68	63	58	56	36	dB(A)	LwA6
Casing break out	62	42	60	51	54	49	49	47	39	38	dB(A)	LwA2

SOUND PRESSURE LEVEL CALCULATOR

Name	Value	Unit
Enveloping surface	Halphsphere	
Distance	3	m

Sound pressure	NR	mid-frequency tape										Unit	Formula symbol
		Σ	63	125	250	500	1000	2000	4000	8000	16000		
suction	50	55	25	48	51	49	46	43	39	38	22	dB(A)	LwA5
blowout	50	57	27	50	48	51	51	45	40	38	18	dB(A)	LwA6
Casing break out	41	44	25	42	34	37	31	32	29	21	20	dB(A)	LwA2



to the product detail page

MPC 450 EC T30

149331

GENERAL DATA

Name	Value	Unit	Formula symbol
Labeling	CE, UKCA		
Duct size	-		WxH _{duct}
Pipe connection size (DN)	DN500		DN
Rated voltage (entire device)	230	V	U _{rated}
Phases (entire device)	1~		phase
Electrical protection (entire device)	10 A		fuse
Housing material	Galvanized steel		mat _{casing}
Impeller material	Steel		mat _{impeller}
Weight	73	kg	m
Nominal air flow rate, nominal point m ³ /h	2894.4	m ³ /h	q _{v,nom}
Nominal external pressure, static	342.1	Pa	p _{s,nom}
Fan type	Radial		Fan _{type}
Category / Installation situation	A		cat

ERP DATA (LOT 6)

Name	Value	Unit	Formula symbol
Nominal air flow rate, nominal point m ³ /s	0.8	m ³ /s	q _{v,nom}
Actual electrical input power, nominal point	0.48	kW	P _{e,nom}
Face velocity, nominal point	2.5	m/s	v _{nom}
Nominal external pressure, static	342.1	Pa	p _{s,nom}
supply air fan static efficiency, nominal point	57.9	%	η _{es,SUP}
Highest external air leakage rate	0.11	%	
Enclosure sound level, nominal point	72	dB(A)	L _{WA2}
Rating	Product is compliant 2018		

MAXIMAL DATA

Name	Value		Unit	Formula symbol
	50 Hz	60 Hz		
Max. power consumption (device)	1238	1238	W	P _{ed,max}
Max. operating current (device)	8.79	8.79	A	I _{ed,max}
Max. speed	1640	1640	1/min	n _{max}
Max. stat. efficiency	53.5	53.5	%	η _{es}
Max. fan efficiency	54.2	54.2	%	η _e
Max. flowrate	7600	7600	m ³ /h	q _{v,max}
Max. stat pressure	810	810	Pa	p _{st,max}
Max. medium temperature	120	120	°C	T _{m,max}
Max. environment temperature	50	50	°C	T _{amb,max}
Min. environment temperature	-20	-20	°C	T _{amb,min}



to the product detail page

MPC 450 EC T30

149331

ruck

MOTOR DATA

Name	Value		Unit	Formula symbol
	50 Hz	60 Hz		
Rated frequency (device)		50		f
Motor type		EC		phase
Control type		stepless-controlled		ctrltype
Installation type		IRM (In)		install
Rotation direction		right		rotation
Isolation class		ISO F		ISOclass
Protection class		IP54		IP _{motor}
Is pole-changeable		No		polexch
Type of power supply		AC 1~		pwrSUP _{motor}
Rated voltage	230		V	U _{rated, f1}
Rated current	8		A	I _{rated, f1}
Shaft power	1100		W	P _{out, f1}
Speed	2100		1/min	n _{f1}
UL-Certification motor		None		ULcert

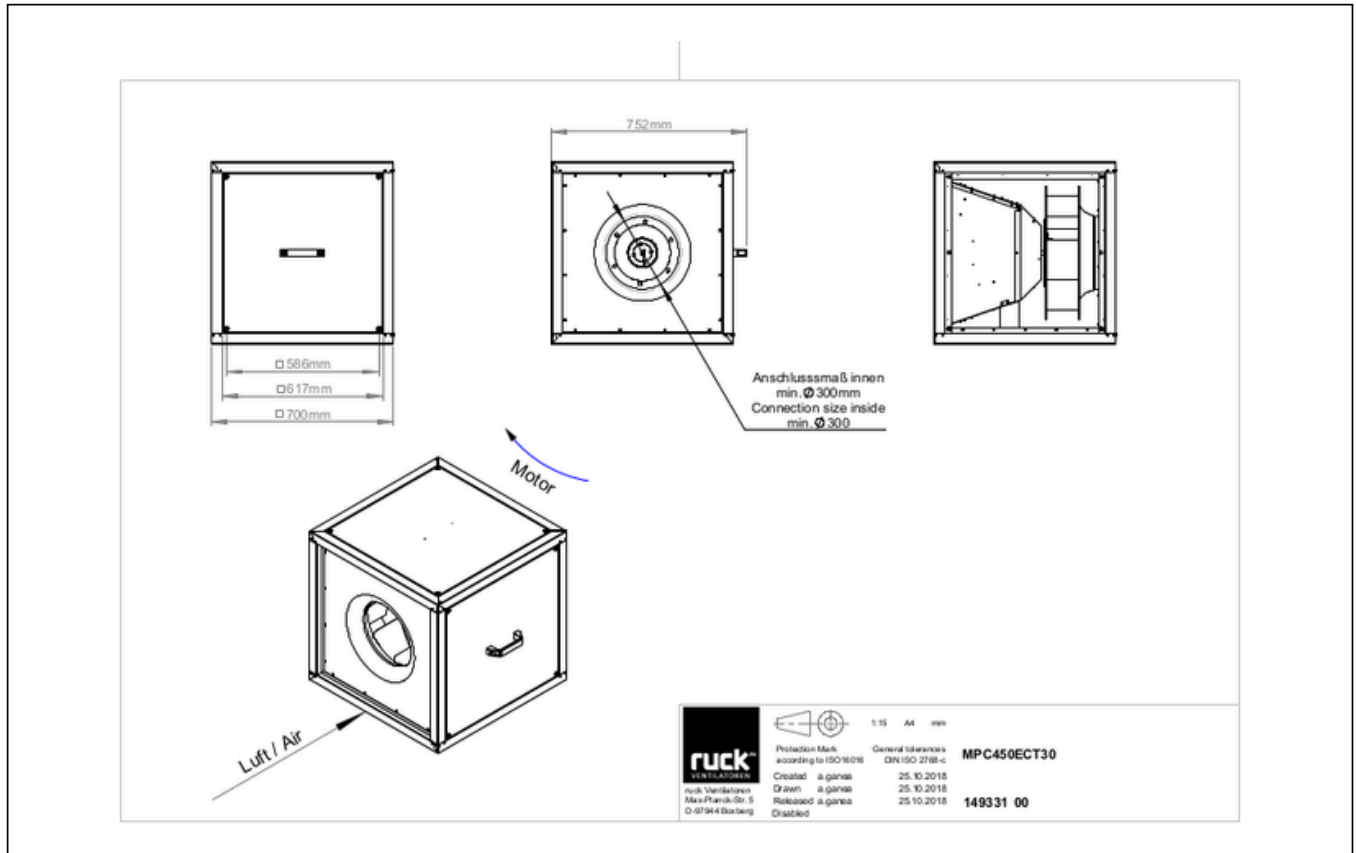


to the product detail page

MPC 450 EC T30

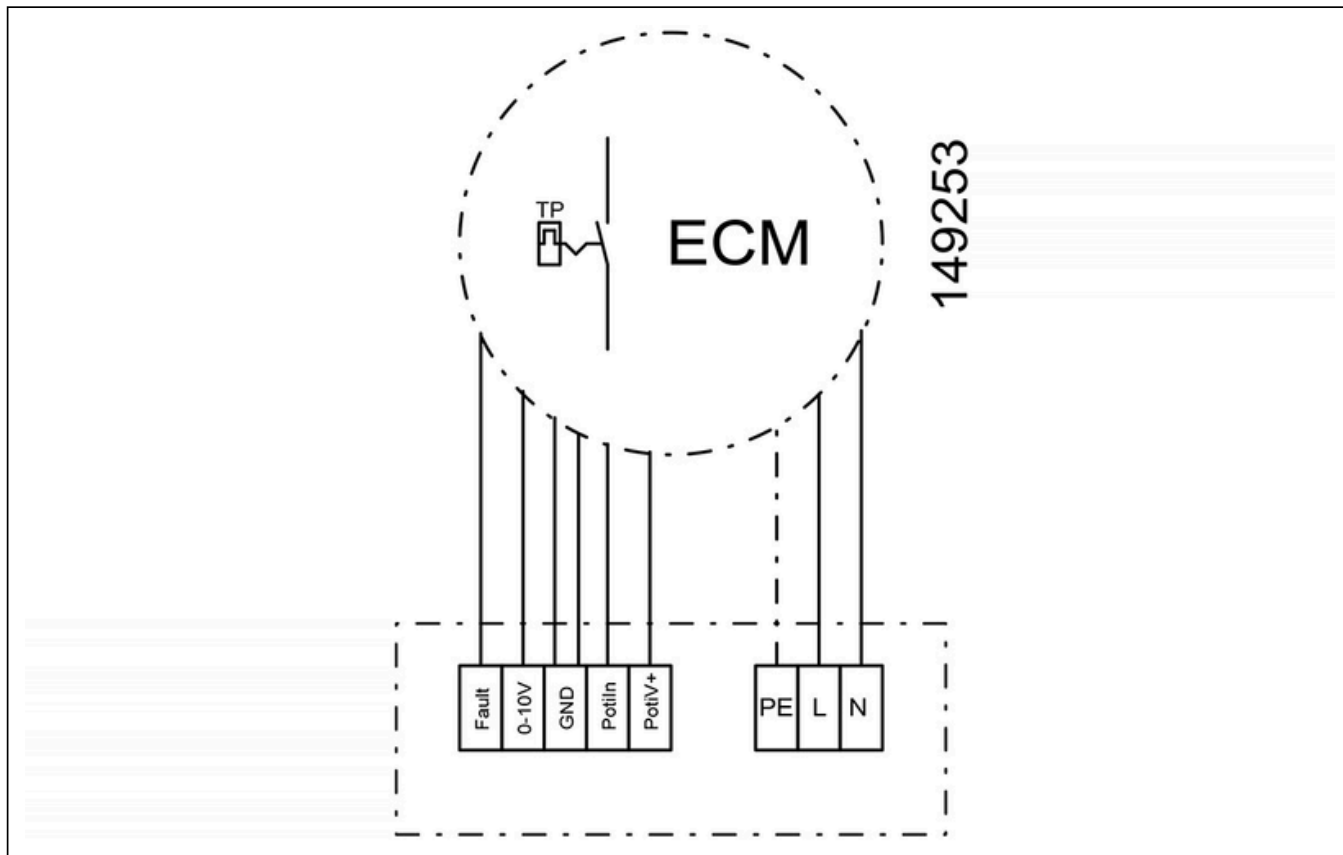
149331

CIRCUIT DIAGRAMS / DIMENSIONAL DRAWINGS



MPC 450 EC T30

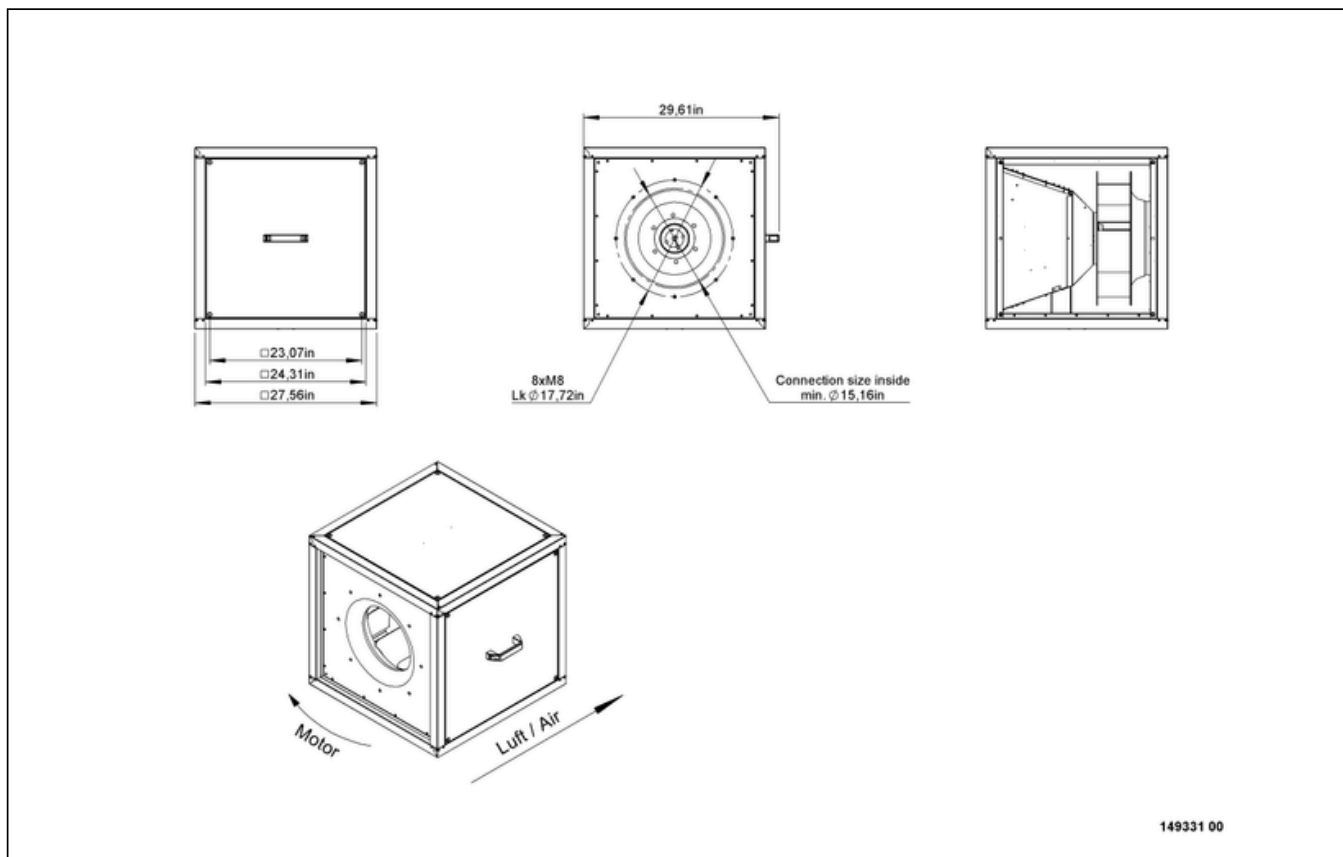
149331



to the product detail page

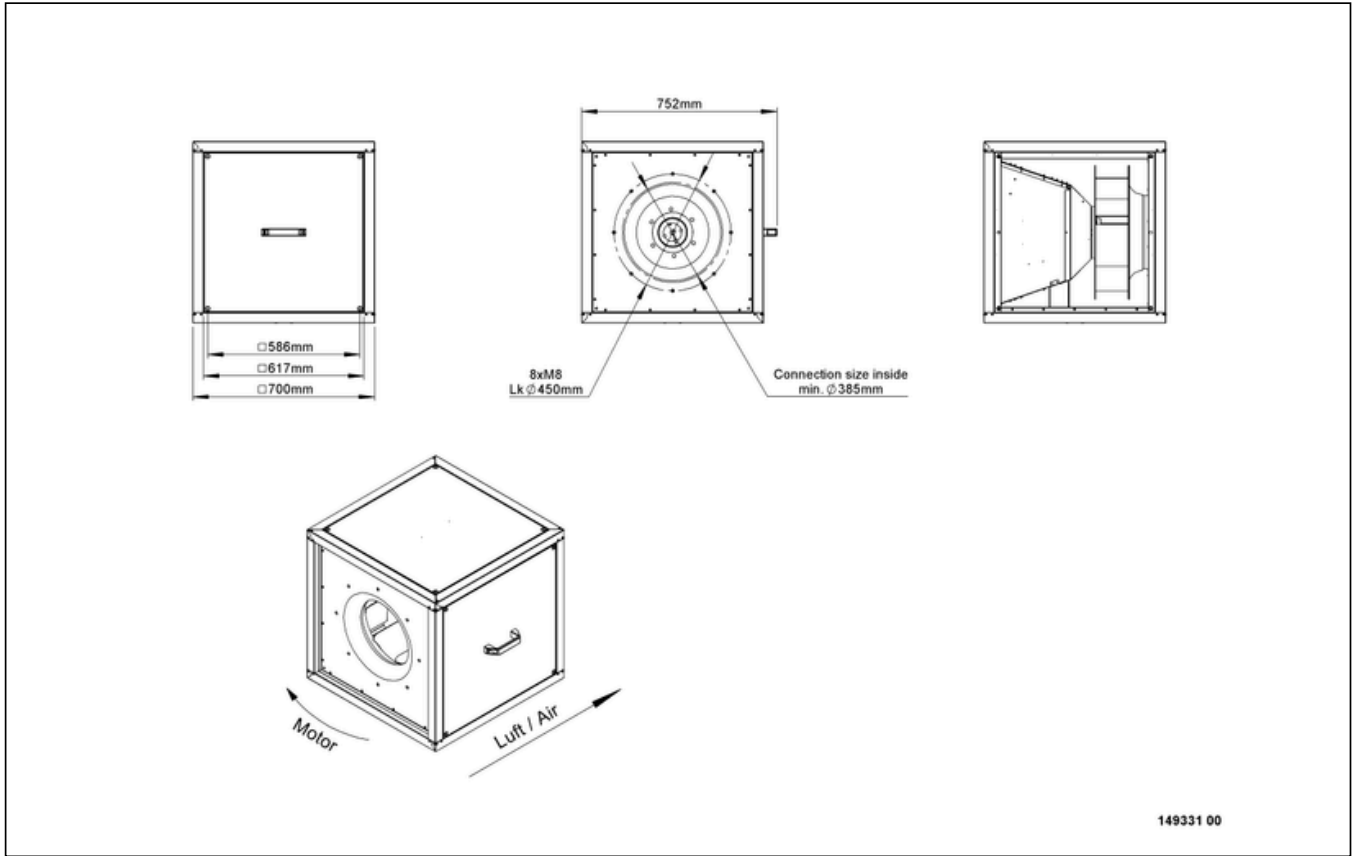
MPC 450 EC T30

149331



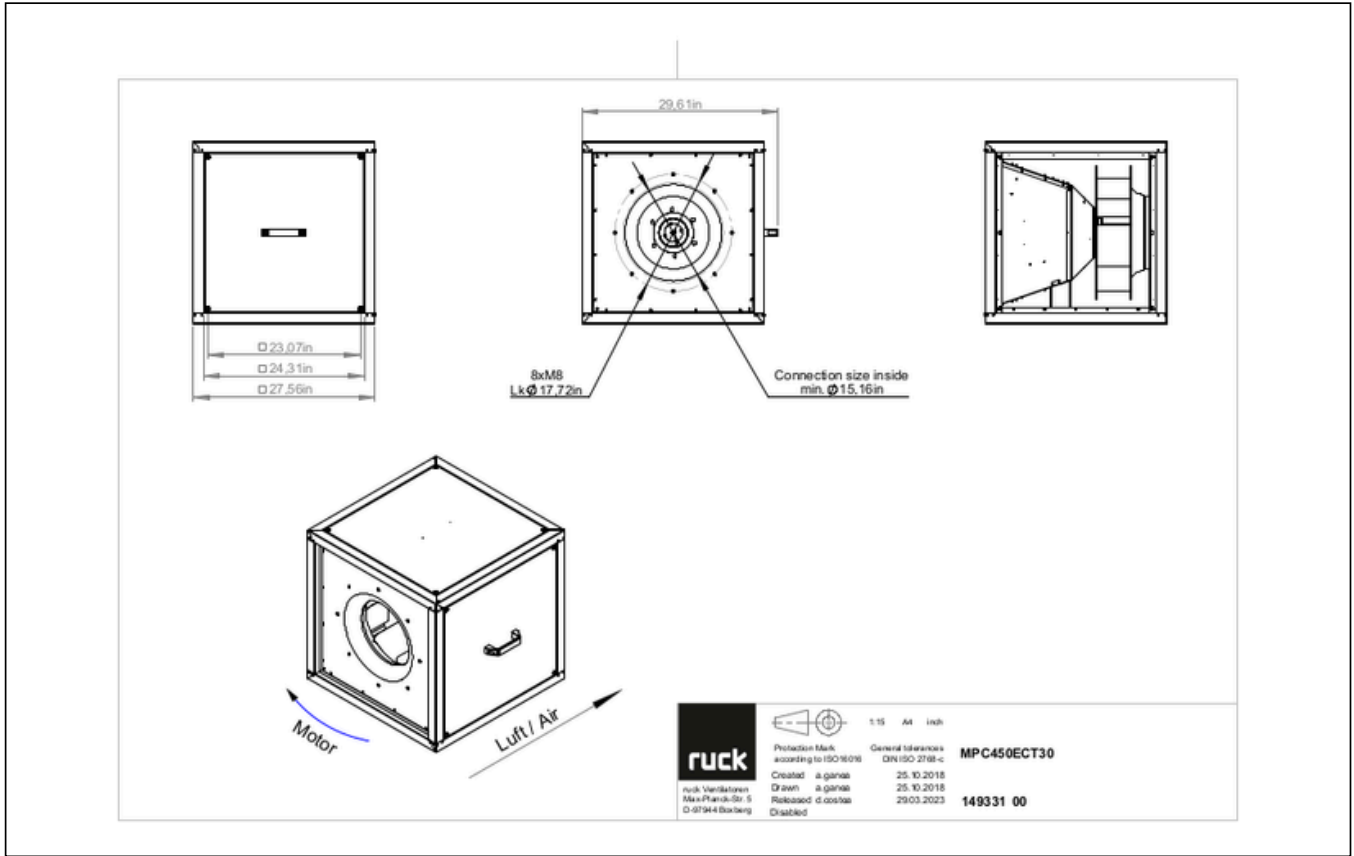
MPC 450 EC T30

149331



MPC 450 EC T30

149331



MPC 450 EC T30

149331

MECHANICAL ACCESSORIES

FB 700 | 160866



- Air filter box for panel filter
- For MPC box 700
- For 1 or 2 filter (not included)
- Housing made of galvanized sheet steel

USM 700 400 | 107214



- Transition spigot
- Galvanized steel sheet
- Insulated

USM 700 450 | 107240



- Transition spigot
- Galvanized steel sheet
- Insulated

USM 700 500 | 107241



- Transition spigot
- Galvanized steel sheet
- Insulated

MB MPC 02 | 116410



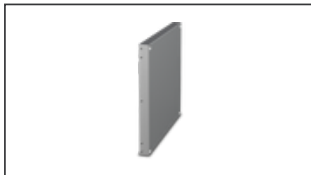
- Motor protection shield
- Sendzimir galvanized sheet

GR MPC 02 | 123432



- Base frame für MPC
- Galvanized steel sheet

UCP 700 | 142568



- Closed panel
- Galvanized steel sheet

RVK 400 | 153701



- Automatic tube shutter
- Sheet steel, powder coated
- For vertical installation
- Flange mounting

RVK H 400 | 153926



- Automatic tube shutter
- Sheet steel, powder coated
- For horizontal installation
- Flange mounting

UQR 700 400 01 | 139863



- Transition duct/tube
- Galvanized steel sheet
- Incl. 4 cylinder cap screws (M8 x 16 mm), 4 serrated lock washers for nominal size M8

UQR 700 450 01 | 139868



- Transition duct/tube
- Galvanized steel sheet
- Incl. 4 cylinder cap screws (M8 x 16 mm), 4 serrated lock washers for nominal size M8

UQR 700 500 01 | 139871



- Transition duct/tube
- Galvanized steel sheet
- Incl. 4 cylinder cap screws (M8 x 16 mm), 4 serrated lock washers for nominal size M8

VM 400 | 102654



- Fast clamps for sound decoupling and sealing
- Galvanized steel sheet, 5 mm
- Neopren gasket
- 1 Pack = 2 pieces

VM 500 | 118094



- Fast clamps for sound decoupling and sealing
- Galvanized steel sheet, 5 mm
- Neopren gasket
- 1 Pack = 2 pieces

VM 450 | 119495



- Fast clamps for sound decoupling and sealing
- Galvanized steel sheet, 5 mm
- Neopren gasket
- 1 Pack = 2 pieces

AS MPC 400 | 140847



- Inlet spigot
- Galvanized steel sheet

AS MPC 450 | 140852

AS MPC 500 | 140871

RAF 400 | 154019

RVS 400 | 154183



to the product detail page

MPC 450 EC T30

149331



- Inlet spigot
- Galvanized steel sheet



- Inlet spigot
- Galvanized steel sheet



- Round flange
- Sheet steel, powder coated



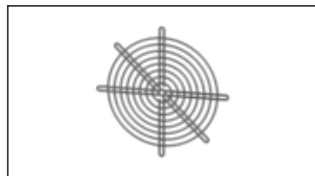
- Tube connection spigot
- Sheet steel, powder coated
- Suitable for outdoor installation
- Flange mounting

ESD 400 | 153959



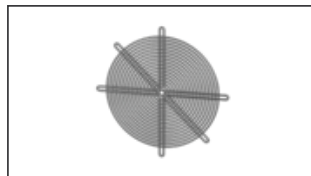
- Inlet cone
- Steel sheet, powder coated
- Flange mounting

SGW 400 | 154050



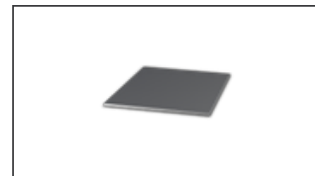
- Protection grille, wide meshed
- Steel sheet, galvanized
- Flange mounting

SGE 400 | 154074



- Protection grille, narrow meshed
- Steel sheet, galvanized
- Flange mounting

RD MPC 700 | 140093



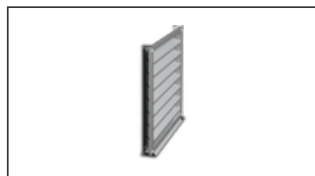
- Rain cover for outdoor installation
- Galvanized steel sheet

WSH MPC 02 | 123433



- Weather protection hood
- Galvanized steel sheet

WSG MPC 700 | 140748



- Weather protection grille
- Galvanized steel sheet

RAS 400 | 154248



- Round spigot, flexible
- Galvanized steel sheet, plastic band (PES)
- Temperature resistant up to 75 °C
- Flange mounting



to the product detail page

MPC 450 EC T30

149331

ELECTRICAL ACCESSORIES

GS 03 | 107633



- Device switch
- $U_{max} = 400\text{ V}$, $I_{max} = 25\text{ A}$
- Switching capacity $400\text{ V } 3\sim = 5,5\text{ kW}$
- Protection class IP 55

MTP 20 | 128146



- Potentiometer $10\text{ k}\Omega$
- Switching contact $1\text{A}/250\text{V AC}$ - $2,5\text{A}/12\text{V DC}$
- Max. ambient temperature $50\text{ }^\circ\text{C}$
- VDE

MTP 30 | 143289



- Stepped potentiometer $10\text{ k}\Omega$
- Step 1 + 2 settable $10\% - 100\% \text{ Vdc}$
- Step 3 $100\% \text{ Vdc}$
- Supply voltage $+10\text{ Vdc}$

MTP 40 | 147359



- Potentiometer $10\text{ k}\Omega$
- Connection in terminal box
- Max. ambient temperature $50\text{ }^\circ\text{C}$
- PU: 20 pieces

SEN AIR | 148641



- Airflow and temperature transducer
- Measuring range temperature $0...+50\text{ }^\circ\text{C}$
- With adjustable switching threshold (air speed)
- Measuring range air velocity up to 20 m/s

CON P1000 | 115259



- Constant pressure control
- Actual value display possible via optional control unit
- Output $0-10\text{ V DC}$ + FC enable + setpoint reached
- Pressure setting by means of decade switch

MTP 50 | 153133



- Potentiometer with multifunction output
- $230\text{ VAC } \pm 10\% / 50-60\text{ Hz}$
- Selectable output: $1-10\text{ VDC} / 2-20\text{ mA}$ / $10-100\% \text{ PWM}$
- Min. and max. output value adjustable



to the product detail page