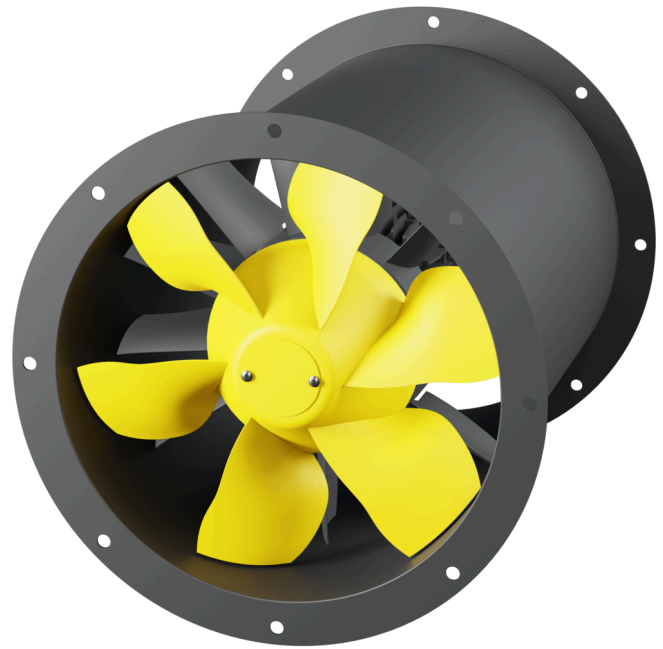


AL 400 D4 01

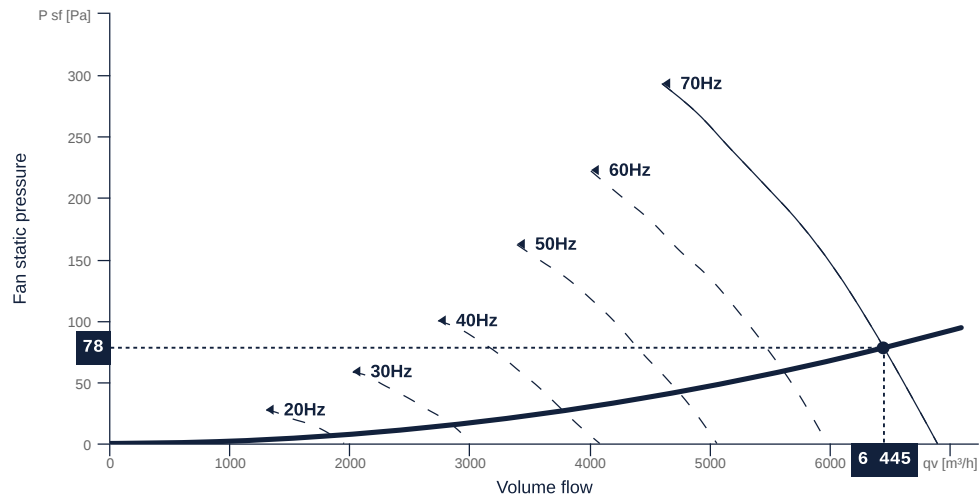
154090

- Innovative, high-efficiency axial fan
- Optimally tuned, CFD-optimized aerodynamics
- Housing weight optimized, powder coated
- Efficient IE3 motor, frequency controllable
- Conveyed medium temperature up to 60 °C in continuous operation
- Exceeds current ErP regulation by 15 - 20%



FAN CURVES

Name	Value	Unit
Volume flow	6445	m ³ /h
Pressure	78	Pa



to the product detail page

TECHNICAL SPECIFICATIONS

Name	Value	Unit	Formula symbol
Volume flow	6445	m³/h	QV _{calc}
Pressure	78	Pa	psf _{calc}
Fan pressure	200	Pa	pf
Fan static pressure	78	Pa	psf
Current consumption Motor	1	A	le
Electrical power consumption	655	W	P _{ek}
Frequency	70	Hz	frq
Rotation speed	2032	1/min	N
Total static efficiency	21	%	etaFaPeK
Total efficiency	54	%	etatPeK
SFP (entire device)	366	W/(m³/s)	sfp _{device}
Sound power level inlet	84	dB(A)	LwA5
Sound power level outlet	85	dB(A)	LwA6
Sound power level housing radiation	71	dB(A)	LwA2

SOUND DATA

Sound power	mid-frequency tape										Unit	Formula symbol
	Σ	63	125	250	500	1000	2000	4000	8000	16000		
suction	84	40	47	61	76	81	79	72	60	42	dB(A)	LwA5
blowout	85	34	55	73	79	82	79	71	61	43	dB(A)	LwA6
Casing break out	71	29	40	53	66	69	58	51	39	30	dB(A)	LwA2

SOUND PRESSURE LEVEL CALCULATOR

Name	Value	Unit
Enveloping surface	Halphsphere	
Distance	3	m

Sound pressure	NR	mid-frequency tape										Unit	Formula symbol
		Σ	63	125	250	500	1000	2000	4000	8000	16000		
suction	63	67	22	29	44	58	64	61	54	43	24	dB(A)	LwA5
blowout	64	68	17	38	56	61	65	61	54	43	25	dB(A)	LwA6
Casing break out	51	54	12	23	36	49	51	41	33	21	13	dB(A)	LwA2



to the product detail page

AL 400 D4 01

154090

ruck

GENERAL DATA

Name	Value	Unit	Formula symbol
Labeling	CE, UKCA		
Duct size	-		$W \times H_{\text{duct}}$
Pipe connection size (DN)	DN400		DN
Rated voltage (entire device)	400	V	U_{rated}
Phases (entire device)	3~		phase
Electrical protection (entire device)	6 A		fuse
Housing material	Coated steel		matcasing
Impeller material	Coated steel		matimpeller
IP-protection class (entire device)	IPX4		IP_{compl}
IP-Protection class (terminal box)	IP55		IP_{ebox}
Weight	23.28	kg	m
Fan type	Axial		Fan _{type}
Category / Installation situation	B		cat

MAXIMAL DATA

Name	Value	Unit	Formula symbol
Max. power consumption (device)	1006	W	$P_{\text{ed, max}}$
Max. operating current (device)	1.3	A	$I_{\text{ed, max}}$
Max. speed	2040	1/min	n_{max}
Max. stat. efficiency	43.5	%	η_{es}
Max. fan efficiency	55.1	%	η_{e}
Max. flowrate	6890	m ³ /h	$q_{\text{v, max}}$
Max. stat pressure	300	Pa	$p_{\text{sf, max}}$
Max. medium temperature	60	°C	$T_{\text{m, max}}$
Max. environment temperature	60	°C	$T_{\text{amb, max}}$
Min. environment temperature	-20	°C	$T_{\text{amb, min}}$



to the product detail page

AL 400 D4 01

154090

ruck

MOTOR DATA

Name	Value		Unit	Formula symbol
	50 Hz	60 Hz		
Rated frequency (device)		50		f
Motor type		AC 3~		phase
Control type		frequency-controlled		ctrltype
Installation type		IRM (In)		install
Rotation direction		right		rotation
Isolation class		ISO F		ISOclass
Is pole-changeable		No		polexch
Type of power supply		AC 3~		pwrSUPmotor
Number of poles (1)		4.000000		num polesw1
Connection	Δ	Y		wiringw1
Connection (wiring 2)	Y			wiringw2
Rated voltage	230	460	V	U _{rated, f1}
Rated voltage (wiring 2)	400		V	U _{rated, f2}
Rated current	2.92	1.47	A	I _{rated, f1}
Rated current (wiring 2)	1.68		A	I _{rated, f2}
Shaft power	750	750	W	P _{out, f1}
Shaft power (wiring 2)	750		W	P _{out, f2}
Speed	1430	1740	1/min	n _{f1}
Speed (wiring 2)	1430		1/min	n _{f2}
Starting current	20.5	12.2	A	I _{start, f1}
Starting current (wiring 2)	11.8		A	I _{start, f2}
Efficiency	82.5	84	%	η _{m, f1}
Efficiency (wiring 2)	82.5		%	η _{m, f2}
Efficiency class	IE3	IE3		IE _{motor}
Min. temperature	-20		°C	T _{motor, min}
Cos Phi	0.780000	0.760000		cos φ
UL-Certification motor		UL recognized		ULcert

ERP DATA (LOT11)

Name	Value	Unit	Formula symbol
Speed at the energy efficiency optimum	2024	1/min	n _{opt}
Efficiency level	62.4	%	N
Efficiency category	total		catefficiency
Input power of the motor at the energy efficiency optimum	0.72	kW	P _{e, opt}
Overall efficiency	69.5	%	η _{ges}
Measurement category	B		meas cat
Fan pressure at energy efficiency optimum	301	Pa	p _{f, opt}
Flowrate at energy efficiency optimum	5395	m³/h	Q _{v, opt}

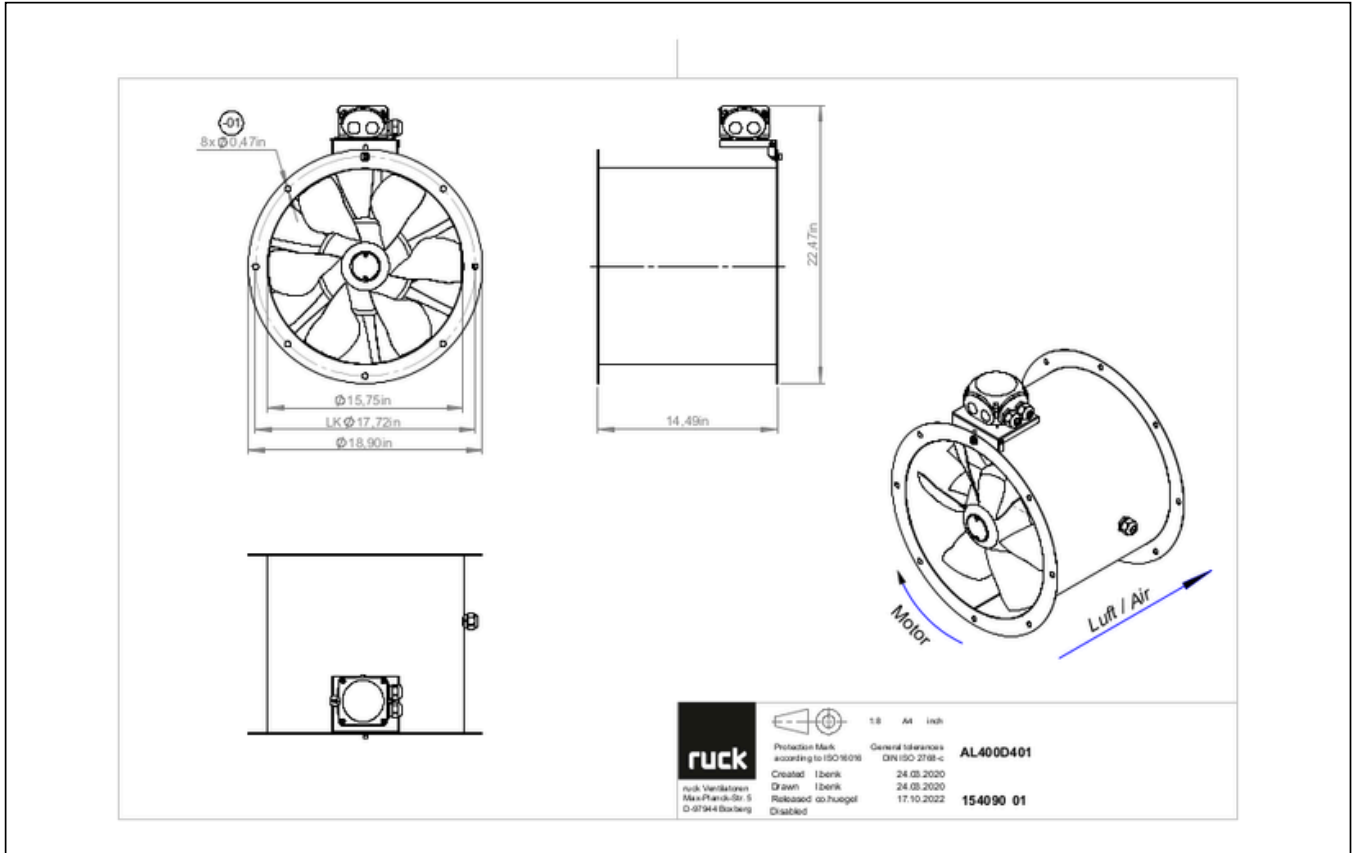


to the product detail page

AL 400 D4 01

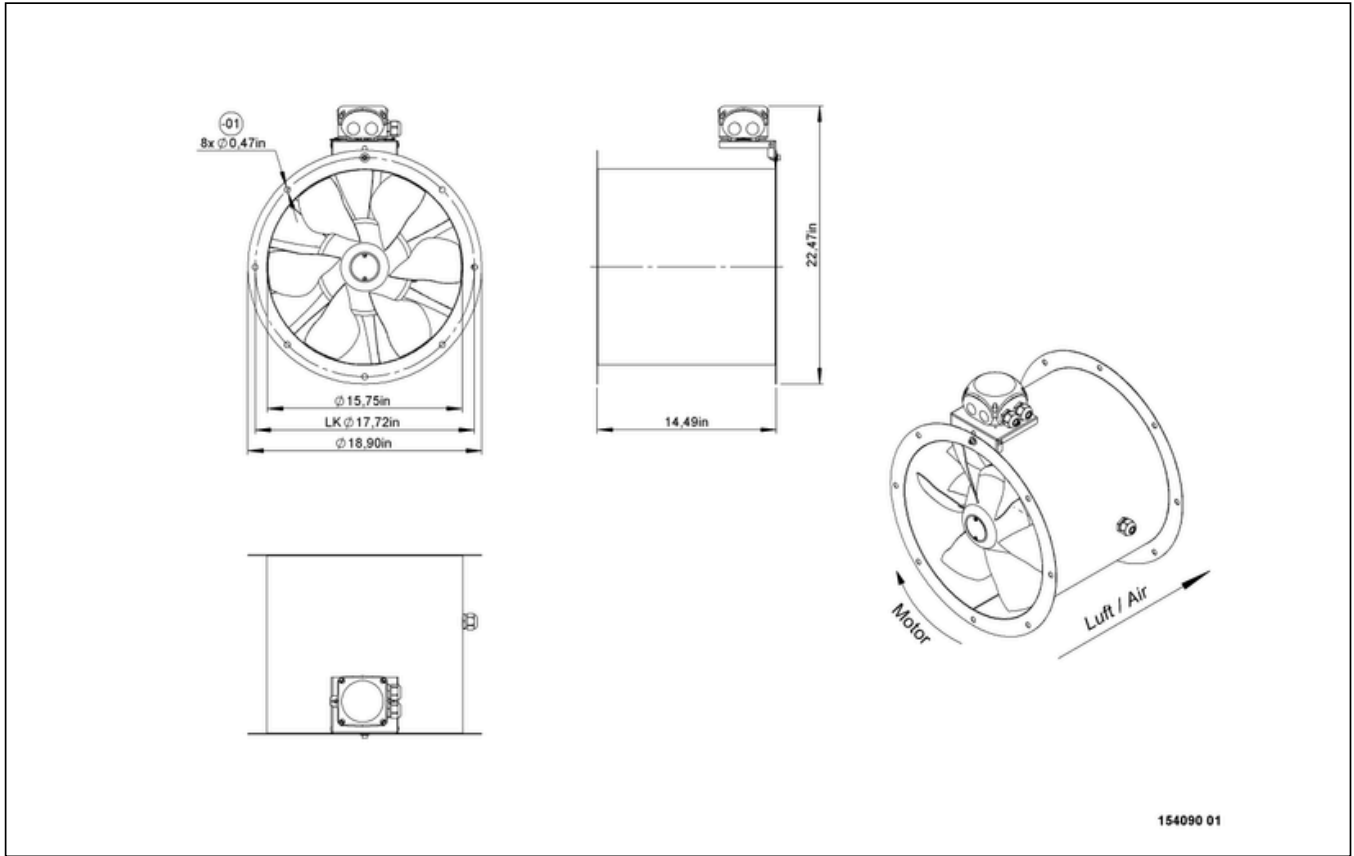
154090

CIRCUIT DIAGRAMS / DIMENSIONAL DRAWINGS



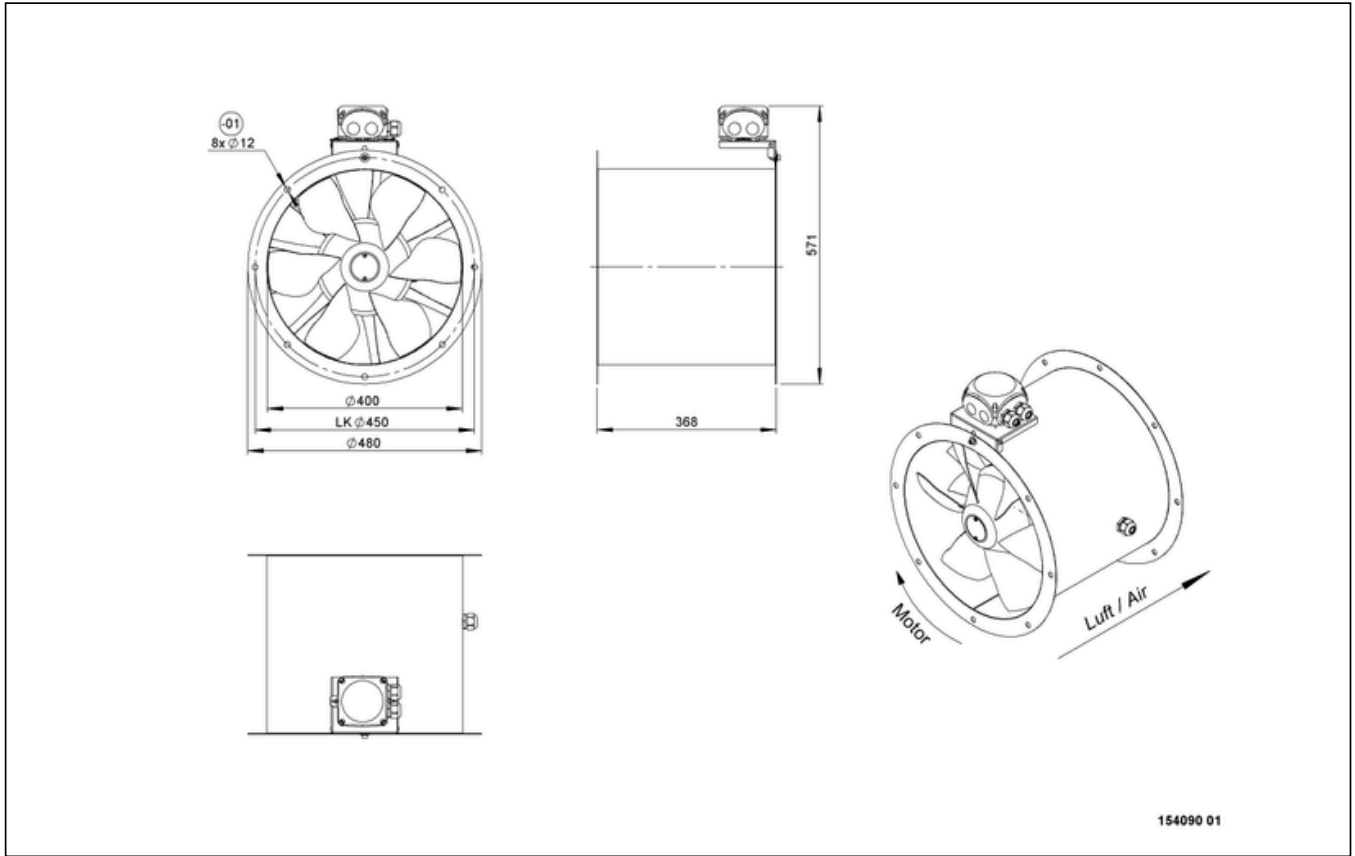
AL 400 D4 01

154090



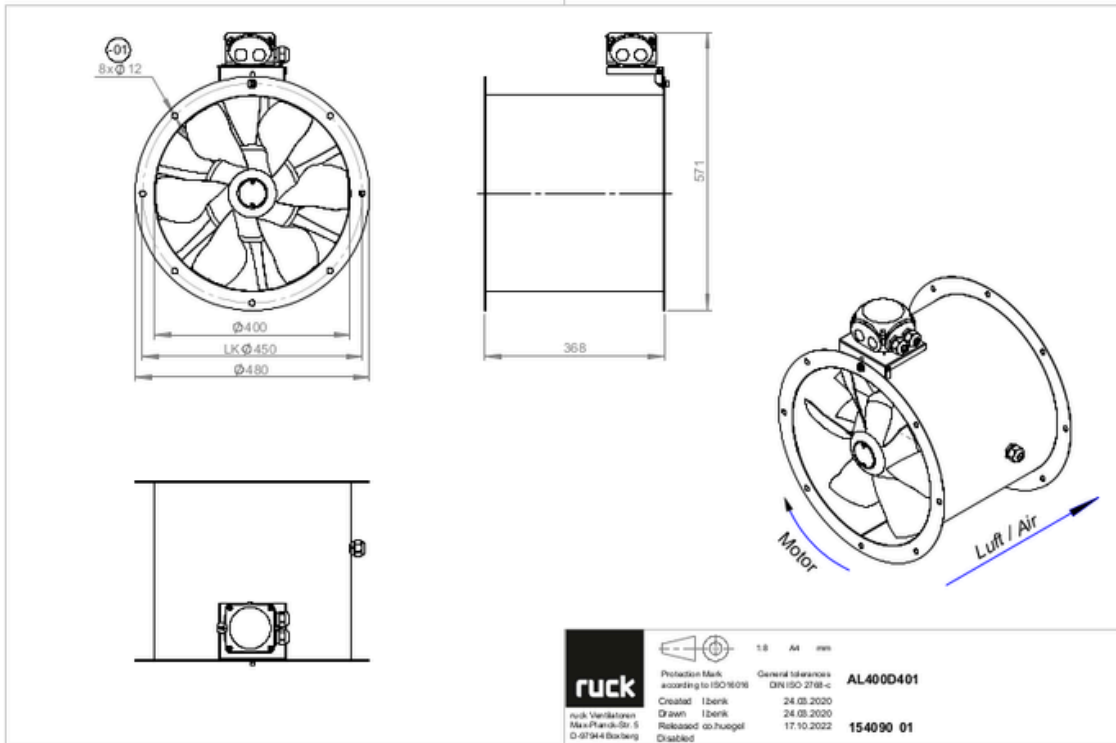
AL 400 D4 01

154090



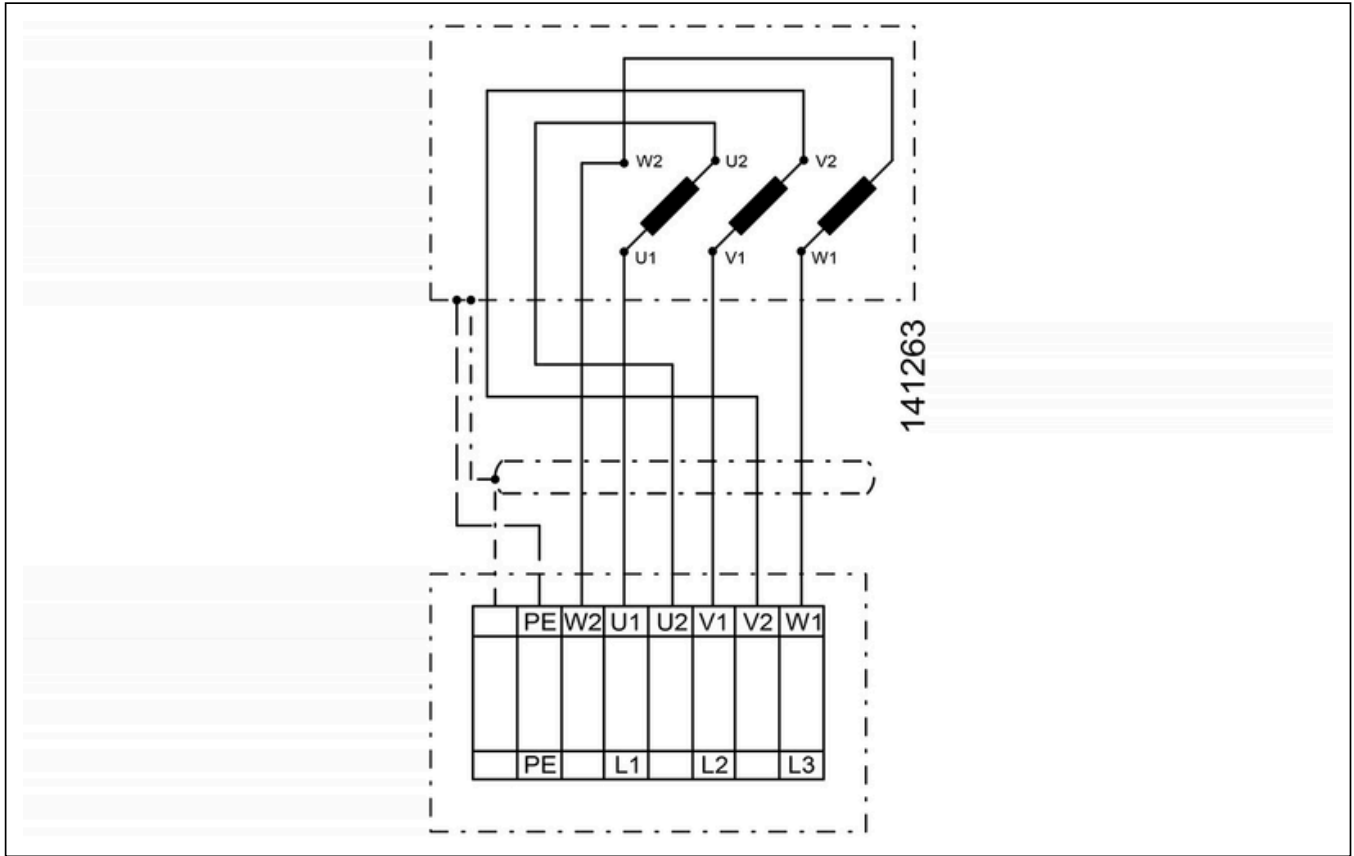
AL 400 D4 01

154090



AL 400 D4 01

154090



to the product detail page

AL 400 D4 01

154090

MECHANICAL ACCESSORIES

RVK 400 | 153701



- Automatic tube shutter
- Sheet steel, powder coated
- For vertical installation
- Flange mounting

RVK H 400 | 153926



- Automatic tube shutter
- Sheet steel, powder coated
- For horizontal installation
- Flange mounting

RAF 400 | 154019



- Round flange
- Sheet steel, powder coated

RVS 400 | 154183



- Tube connection spigot
- Sheet steel, powder coated
- Suitable for outdoor installation
- Flange mounting

ESD 400 | 153959



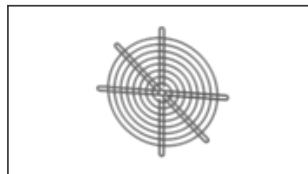
- Inlet cone
- Steel sheet, powder coated
- Flange mounting

FAL 400 | 154807



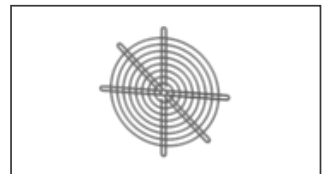
- Mounting foot
- Sheet steel, powder coated

SGW 400 | 154050



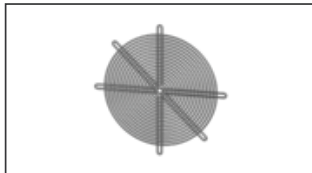
- Protection grille, wide meshed
- Steel sheet, galvanized
- Flange mounting

SGW 450 | 154051



- Protection grille, wide meshed
- Steel sheet, galvanized
- Flange mounting

SGE 400 | 154074



- Protection grille, narrow meshed
- Steel sheet, galvanized
- Flange mounting

FSD 01 | 155498



- Set of 4 vibration dampers
- All metal design, galvanized

FSD 05 | 155502



- Set of 4 vibration dampers
- Made of natural rubber, hardness 55 Shore A

RAS 400 | 154248



- Round spigot, flexible
- Galvanized steel sheet, plastic band (PES)
- Temperature resistant up to 75 °C
- Flange mounting

MR 400 | 165742



- Mounting ring
- For vertical mounting
- Powder-coated sheet steel
- Flange mounting DN 400



to the product detail page

AL 400 D4 01

154090

ELECTRICAL ACCESSORIES

GS 02 | 105386



- Isolator switch
- $U_{max} = 400\text{ V}$, 50/60 Hz
- Switching capacity 400 V 3~ = 5,5 kW
- $I_{max} = 16\text{ A}$

MS 02 | 140409



- Motor protection switch with Isolator switchfunktion
- $I_{max} = 400\text{ V}$, 50/60 Hz
- Max. 1.5 kW
- Protection class IP 55

MTP 20 | 128146



- Potentiometer 10 k Ω
- Switching contact 1A/250V AC - 2,5A/12V DC
- Max. ambient temperature 50 °C
- VDE

MTP 30 | 143289



- Stepped potentiometer 10 k Ω
- Step 1 + 2 settable 10 % - 100 % Vdc
- Step 3 100 % Vdc
- Supply voltage +10 Vdc

SEN AIR | 148641



- Airflow and temperature transducer
- Measuring range temperature 0...+50 °C
- With adjustable switching threshold (air speed)
- Measuring range air velocity up to 20 m/s

CON P1000 | 115259



- Constant pressure control
- Actual value display possible via optional control unit
- Output 0-10 V DC + FC enable + setpoint reached
- Pressure setting by means of decade switch

FU 075 44 | 155157



- Frequency converter
- Supply voltage 230 V 1~ 50/60 Hz
- Output voltage 0 - 230 V 3~
- Protection class IP 20, for switch cabinet

FU 075 46 | 155159



- Frequency converter
- Supply voltage 400 V 3~ 50/60 Hz
- Output voltage 0 - 400 V 3~
- Protection class IP 20, for switch cabinet

FU 075 47 | 155160



- Frequency converter
- Supply voltage 400 V 3~ 50/60 Hz
- Output voltage 0 - 400 V 3~
- Fire mode function (smoke extract fans)

FU 075 45 | 155158



- Frequency converter IP66
- Supply voltage 230 V 1~ 50/60 Hz
- Output voltage 0 - 230 V 3~
- Fire mode function (smoke extract fans)



to the product detail page