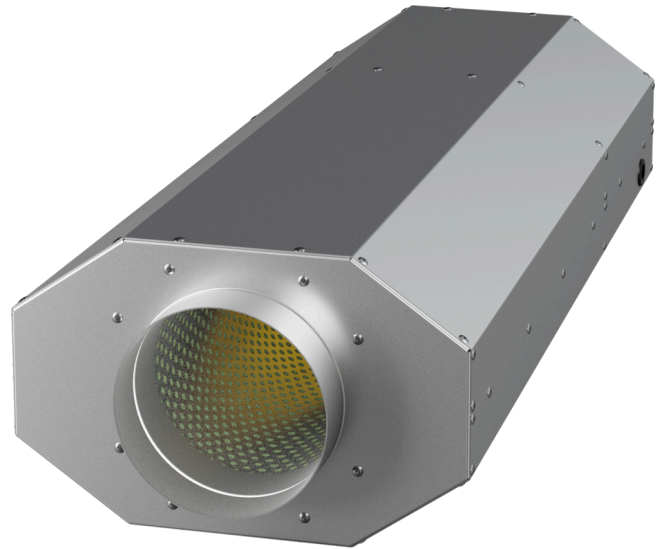


EMI 150 E2M O 01

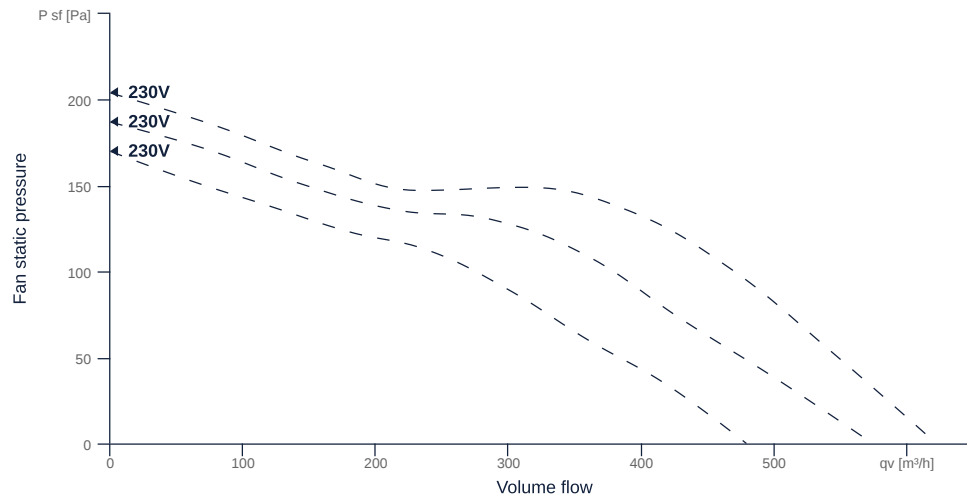
158059

- High-efficiency, insulated diagonal fan
- Optimum sound attenuation due to silencer
- Very compact housing made of galvanized sheet steel
- Robust AC motor, 3-steps controllable
- Highest aerodynamic efficiency
- Conveyed medium temperature up to 60 °C in continuous operation



FAN CURVES

Name	Value	Unit
Volume flow	8523	m³/h
Pressure	968	Pa



to the product detail page

EMI 150 E2M O 01

158059

TECHNICAL SPECIFICATIONS

Name	Value	Unit	Formula symbol
Volume flow	614	m³/h	QV _{calc}
Pressure	5	Pa	psf _{calc}
Fan pressure	-3848	Pa	pf
Fan static pressure	968	Pa	psf
Current consumption Motor	-2	A	le
Current consumption Electric	-2	A	led
Electrical power consumption	-217	W	Pe _k
Step	3		stage
Rotation speed	6296	1/min	N
Total static efficiency	-1061	%	etaFaPeK
Total efficiency	4213	%	etatPeK
SFP (entire device)	-92	W/(m³/s)	sfp _{device}
Sound power level inlet	332	dB(A)	LwA5
Sound power level outlet	326	dB(A)	LwA6
Sound power level housing radiation	286	dB(A)	LwA2

SOUND DATA

Sound power	mid-frequency tape										Unit	Formula symbol
	Σ	63	125	250	500	1000	2000	4000	8000	16000		
suction	333	256	296	94	286	174	176	330	168	330	dB(A)	LwA5
blowout	326	326	190	273	185	193	142	131	74	49	dB(A)	LwA6
Casing break out	286	-105	-81	83	26	286	209	-2	0	5	dB(A)	LwA2

SOUND PRESSURE LEVEL CALCULATOR

Name	Value	Unit
Enveloping surface	Halpsphere	
Distance	3	m

Sound pressure	NR	mid-frequency tape										Unit	Formula symbol
		Σ	63	125	250	500	1000	2000	4000	8000	16000		
suction	130	315	238	278	76	269	156	158	312	150	312	dB(A)	LwA5
blowout	130	309	309	173	256	167	176	124	113	57	32	dB(A)	LwA6
Casing break out	130	269	0	0	66	9	269	191	0	0	0	dB(A)	LwA2



to the product detail page

EMI 150 E2M O 01

158059

ruck

GENERAL DATA

Name	Value	Unit	Formula symbol
Labeling	CE, UKCA		
Duct size	-		$W \times H_{\text{duct}}$
Pipe connection size (DN)	DN150		DN
Rated voltage (entire device)	230	V	U_{rated}
Phases (entire device)	1~		phase
Electrical protection (entire device)	6 A		fuse
Housing material	Galvanized steel		matcasing
Impeller material	Plastic		matimpeller
Weight	10.2	kg	m
Fan type	Diagonal		Fan _{type}
Category / Installation situation	B		cat

MAXIMAL DATA

Name	Value	Unit	Formula symbol
Max. power consumption (device)	47	W	$P_{\text{ed, max}}$
Max. operating current (device)	0.22	A	$I_{\text{ed, max}}$
Max. speed	2840	1/min	n_{max}
Max. stat. efficiency	30.8	%	η_{es}
Max. fan efficiency	35.8	%	η_{e}
Max. flowrate	620	m ³ /h	$Q_{\text{v, max}}$
Max. stat pressure	200	Pa	$p_{\text{sf, max}}$
Max. medium temperature	60	°C	$T_{\text{m, max}}$
Max. environment temperature	60	°C	$T_{\text{amb, max}}$
Min. environment temperature	-25	°C	$T_{\text{amb, min}}$



to the product detail page

EMI 150 E2M O 01

158059

ruck

MOTOR DATA

Name	Value		Unit	Formula symbol
	50 Hz	60 Hz		
Rated frequency (device)		50		f
Motor type		AC 1~		phase
Control type		step-controlled		ctrltype
Installation type		IRM (In)		install
Rotation direction		right		rotation
Isolation class		ISO F		ISOclass
Motor-protection		TAI		protectmotor
Protection class		IP00		IPmotor
Is pole-changeable		No		polexch
Type of power supply		AC 1~		pwrsupmotor
Capacity capacitor		1.5	μF	Ccond
Voltage capacitor		450	V	VUcond
Number of poles (1)		2.000000		num polesw1
Rated voltage	230		V	Urated, f1
Rated current	0.22		A	Irated, f1
Shaft power	25		W	Pout, f1
UL-Certification motor		None		ULcert

ERP DATA (LOT11)

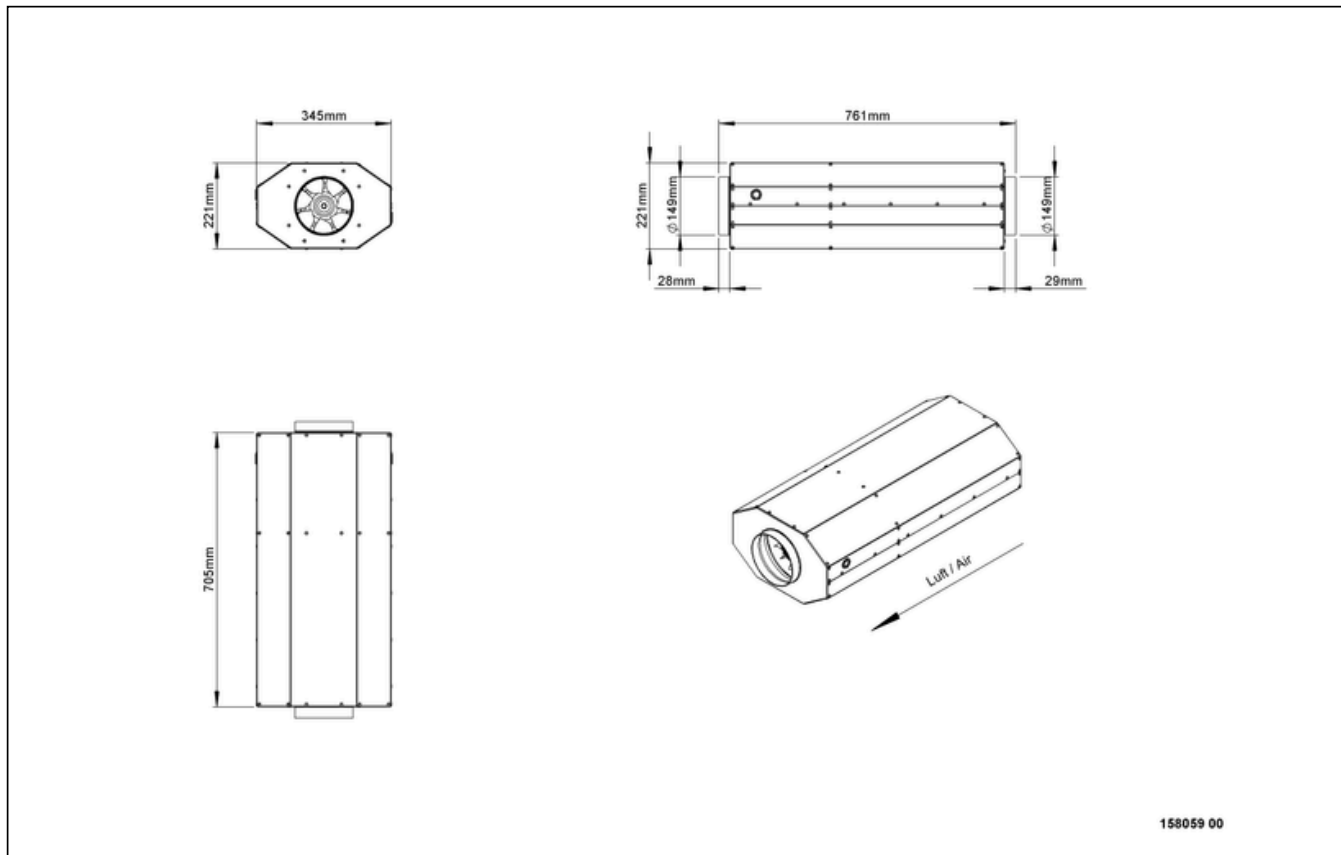
Name	Value	Unit	Formula symbol
Speed at the energy efficiency optimum	2748	1/min	n _{opt}
Efficiency level	42.6	%	N
Efficiency category	total		cat _{efficiency}
Input power of the motor at the energy efficiency optimum	0.05	kW	P _{e, opt}
Overall efficiency	67.3	%	η _{ges}
Measurement category	B		meas cat
Fan pressure at energy efficiency optimum	148	Pa	p _{f, opt}
Flowrate at energy efficiency optimum	388	m ³ /h	Q _{v, opt}



EMI 150 E2M O 01

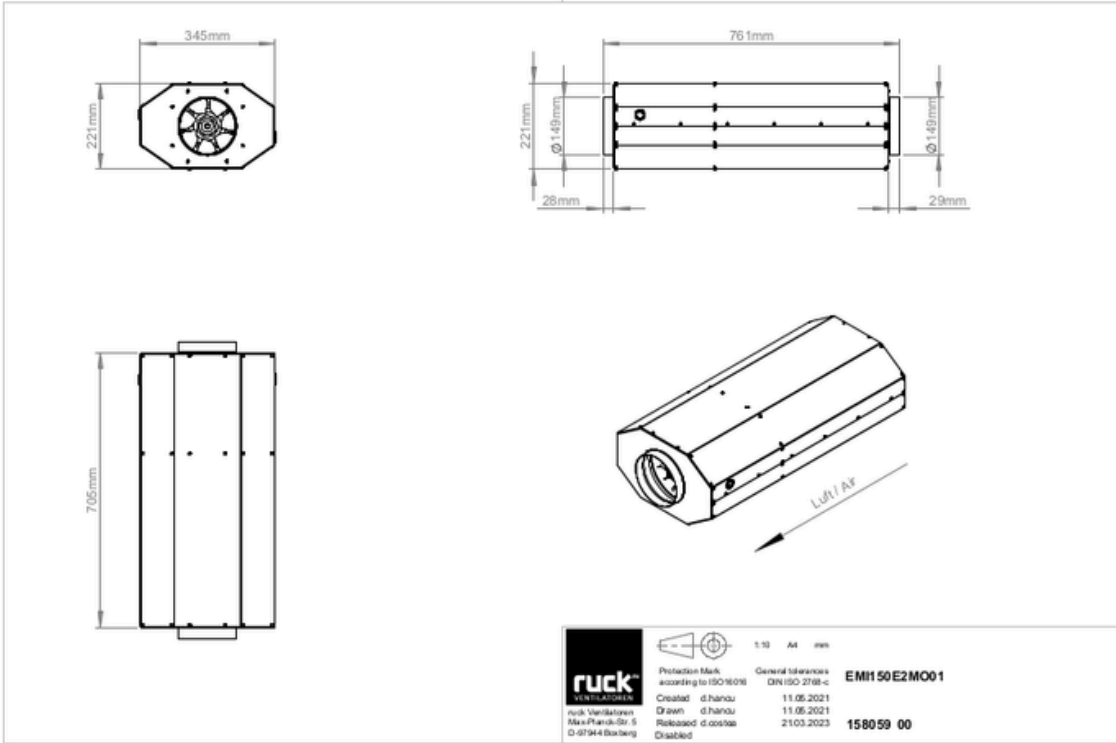
158059

CIRCUIT DIAGRAMS / DIMENSIONAL DRAWINGS



EMI 150 E2M O 01

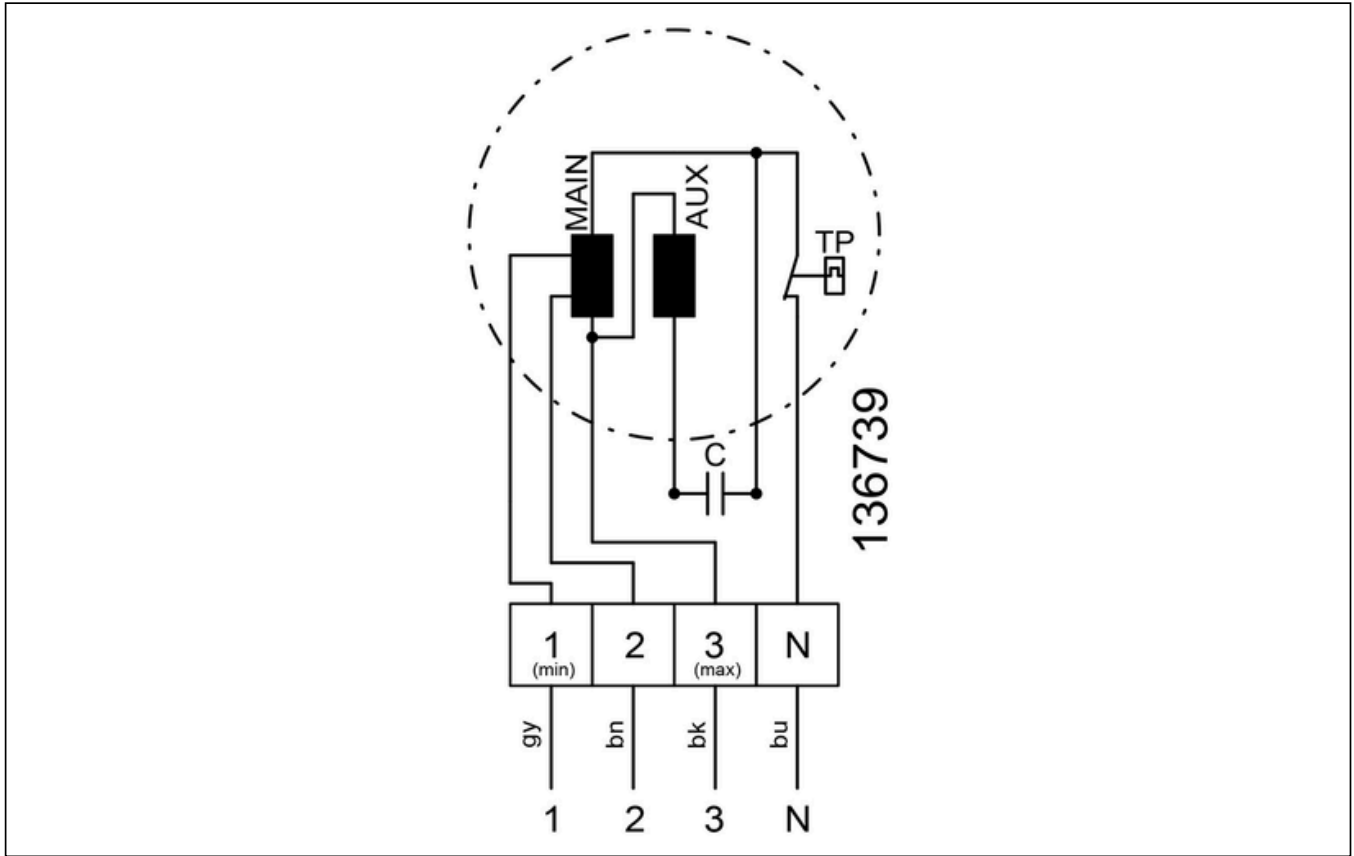
158059



to the product detail page

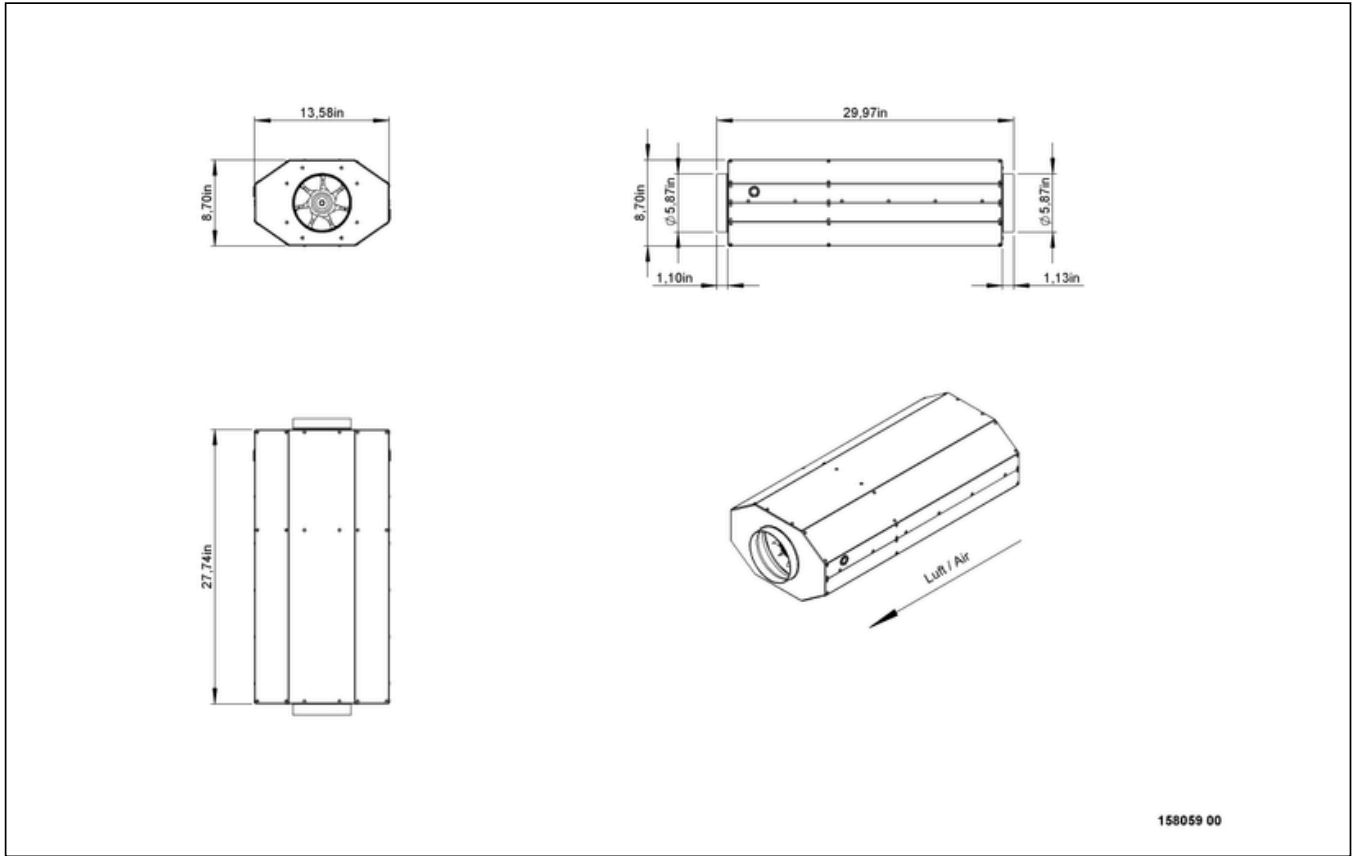
EMI 150 E2M O 01

158059



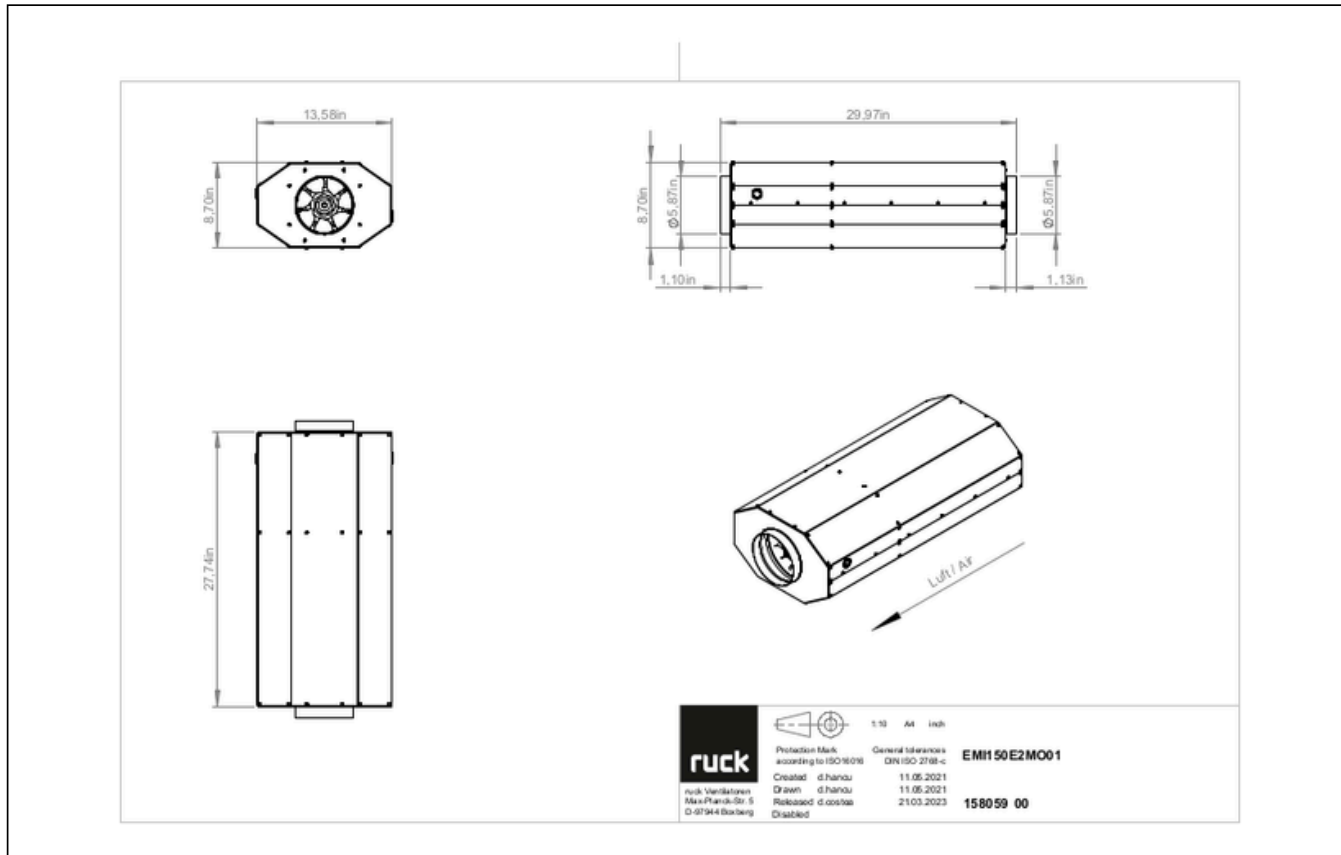
EMI 150 E2M O 01

158059



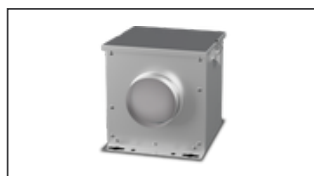
EMI 150 E2M O 01

158059



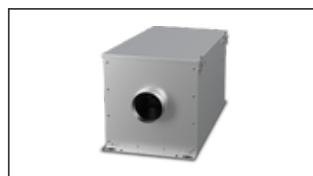
MECHANICAL ACCESSORIES

FV 150 | 112680



- Air filter box with mat filter ISO Coarse 45 % (G3)
- Toggle-type fastener

FT 150 | 112842



- Air filter box for pocket filter
- Toggle-type fastener
- Galvanized steel sheet housing
- Without filter

FTW 150 | 112851



- Air filter box with pocket filter M5
- Integrated warm water heating coil
- Galvanized steel sheet housing
- Toggle-type fastener

RSK 150 | 102660



- Back draught shutter for tube fitting
- Galvanized steel sheet housing
- Aluminum flaps

RSK 150D | 113484



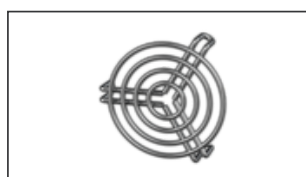
- Back draught shutter for tube fitting
- Galvanized steel sheet housing
- Aluminum flaps
- Integrated gasket

VM 150 | 102648



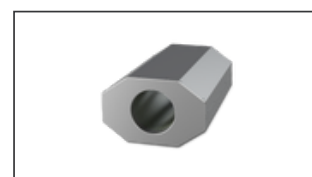
- Fast clamps for sound decoupling and sealing
- Galvanized steel sheet, 5 mm
- Neopren gasket
- 1 Pack = 2 pieces

SG 150 01 | 102896



- Protection grille for tube connection
- Galvanized wire

SD 00150 500 R 05 | 158074



- Rigid tube silencer
- Galvanized steel sheet
- Insulated with mineral wool



to the product detail page

EMI 150 E2M O 01

158059

ELECTRICAL ACCESSORIES

GS 03 | 107633



- Device switch
- $U_{max} = 400\text{ V}$, $I_{max} = 25\text{ A}$
- Switching capacity $400\text{ V } 3\sim = 5,5\text{ kW}$
- Protection class IP 55

MTS 10 | 128145



- 3-step switch
- Max. ambient temperature 50 °C
- Surface and flush mounting
- IP 44



to the product detail page