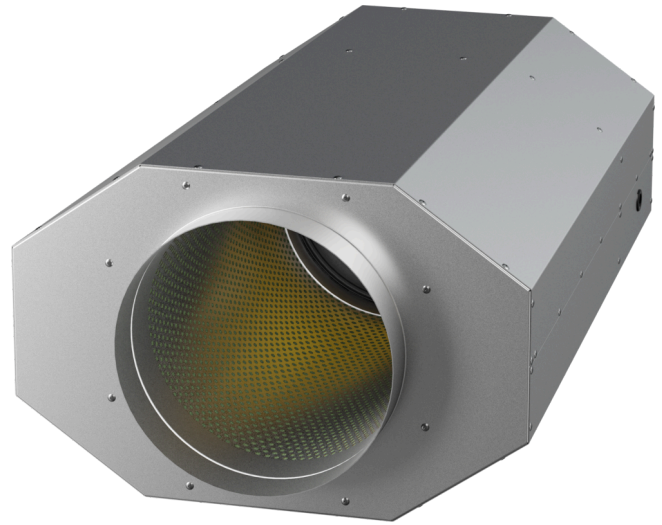


EMI 200 E2M O 01

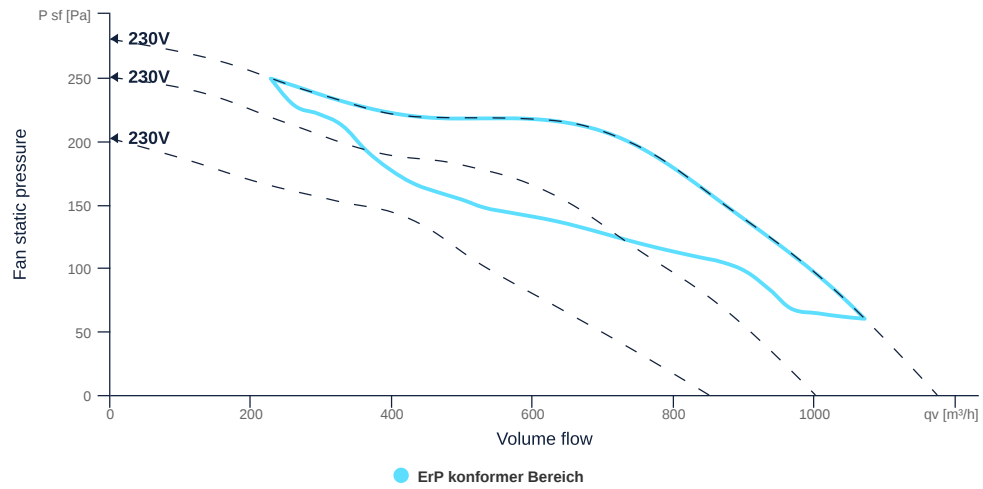
158201

- High-efficiency, insulated diagonal fan
- Optimum sound attenuation due to silencer
- Very compact housing made of galvanized sheet steel
- Robust AC motor, 3-steps controllable
- Highest aerodynamic efficiency
- Conveyed medium temperature up to 60 °C in continuous operation



FAN CURVES

Name	Value	Unit
Volume flow	8523	m ³ /h
Pressure	968	Pa



to the product detail page

TECHNICAL SPECIFICATIONS

Name	Value	Unit	Formula symbol
Volume flow	1145	m³/h	QV _{calc}
Pressure	17	Pa	psf _{calc}
Fan pressure	-3577	Pa	pf
Fan static pressure	968	Pa	psf
Current consumption Motor	-2	A	le
Current consumption Electric	-2	A	led
Electrical power consumption	-369	W	PeK
Step	3		stage
Rotation speed	6217	1/min	N
Total static efficiency	-622	%	etaFaPeK
Total efficiency	2295	%	etatPeK
SFP (entire device)	-156	W/(m³/s)	sfp _{device}
Sound power level inlet	245	dB(A)	LwA5
Sound power level outlet	249	dB(A)	LwA6
Sound power level housing radiation	419	dB(A)	LwA2

SOUND DATA

Sound power	mid-frequency tape										Unit	Formula symbol
	Σ	63	125	250	500	1000	2000	4000	8000	16000		
suction	245	245	146	100	162	127	136	108	211	109	dB(A)	LwA5
blowout	249	249	162	94	126	154	152	127	181	180	dB(A)	LwA6
Casing break out	420	288	296	344	206	105	420	122	-53	0	dB(A)	LwA2

SOUND PRESSURE LEVEL CALCULATOR

Name	Value	Unit
Enveloping surface	Halpsphere	
Distance	3	m

Sound pressure	NR	mid-frequency tape										Unit	Formula symbol
		Σ	63	125	250	500	1000	2000	4000	8000	16000		
suction	130	228	228	128	82	145	109	119	91	193	92	dB(A)	LwA5
blowout	130	232	232	145	77	108	136	134	110	163	163	dB(A)	LwA6
Casing break out	130	402	270	278	327	188	88	402	104	0	0	dB(A)	LwA2



to the product detail page

EMI 200 E2M O 01

158201

ruck

GENERAL DATA

Name	Value	Unit	Formula symbol
Labeling	CE, UKCA		
Duct size	-		$W \times H_{\text{duct}}$
Pipe connection size (DN)	DN200		DN
Rated voltage (entire device)	230	V	U_{rated}
Phases (entire device)	1~		phase
Electrical protection (entire device)	6 A		fuse
Housing material	Galvanized steel		matcasing
Impeller material	Plastic		matimpeller
Weight	13.6	kg	m
Fan type	Diagonal		Fan _{type}
Category / Installation situation	B		cat

MAXIMAL DATA

Name	Value	Unit	Formula symbol
Max. power consumption (device)	111	W	$P_{\text{ed, max}}$
Max. operating current (device)	0.53	A	$I_{\text{ed, max}}$
Max. speed	2790	1/min	n_{max}
Max. stat. efficiency	36.3	%	η_{es}
Max. fan efficiency	40.8	%	η_{e}
Max. flowrate	1170	m ³ /h	$Q_{\text{v, max}}$
Max. stat pressure	280	Pa	$p_{\text{sf, max}}$
Max. medium temperature	60	°C	$T_{\text{m, max}}$
Max. environment temperature	60	°C	$T_{\text{amb, max}}$
Min. environment temperature	-25	°C	$T_{\text{amb, min}}$



to the product detail page

MOTOR DATA

Name	Value		Unit	Formula symbol
	50 Hz	60 Hz		
Rated frequency (device)		50		f
Motor type		AC 1~		phase
Installation type		IRM (In)		install
Rotation direction		right		rotation
Isolation class		ISO F		ISOclass
Motor-protection		TAI		protectmotor
Protection class		IP00		IPmotor
Is pole-changeable		No		polexch
Type of power supply		AC 1~		pwrsupmotor
Capacity capacitor		3.5	µF	Ccond
Voltage capacitor		450	V	VUcond
Number of poles (1)		2.000000		num polesw1
Rated voltage	230		V	U _{rated, f1}
Rated current	0.5		A	I _{rated, f1}
Shaft power	50		W	P _{out, f1}
UL-Certification motor		None		ULcert

ERP DATA (LOT11)

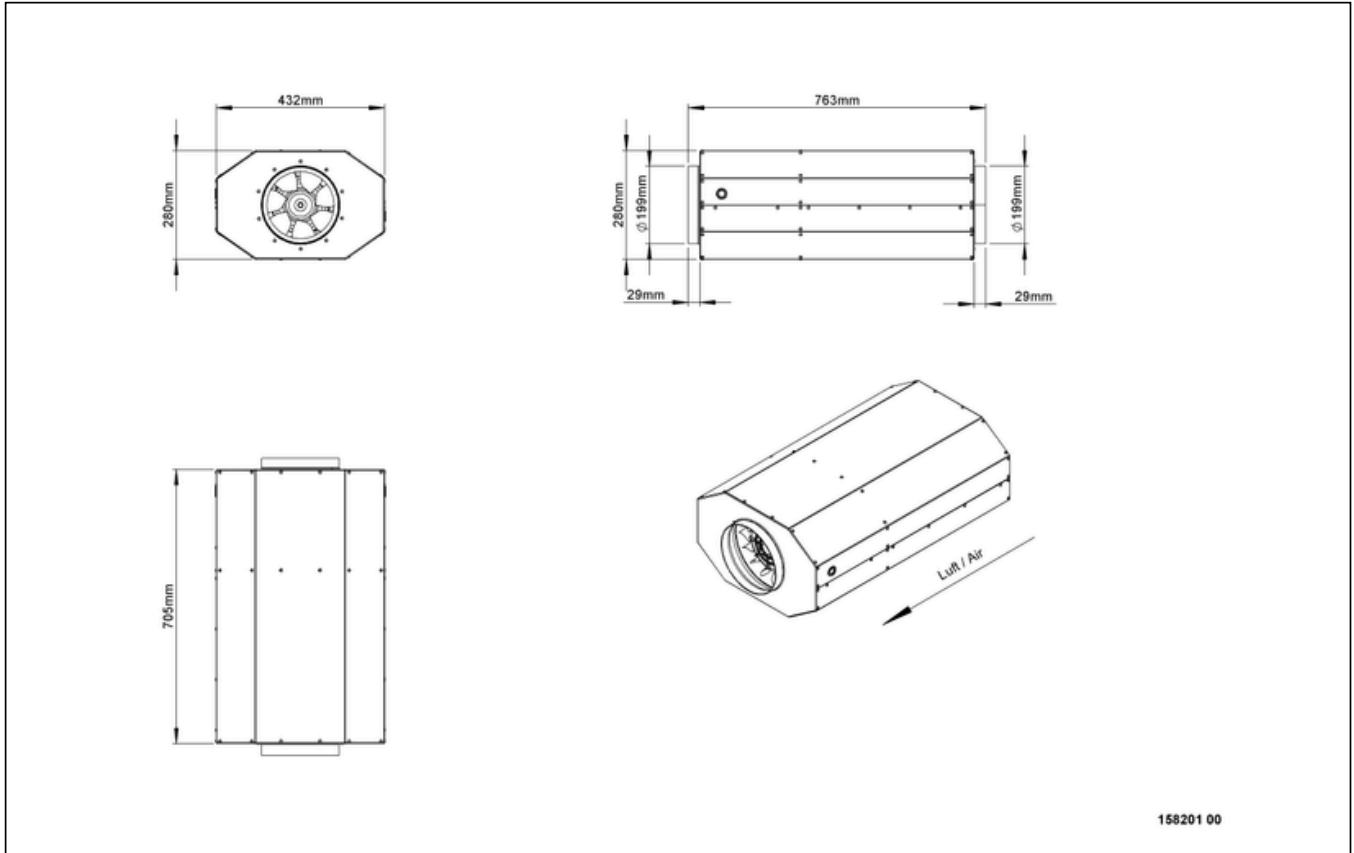
Name	Value	Unit	Formula symbol
Speed at the energy efficiency optimum	2753	1/min	n _{opt}
Efficiency level	51.9	%	N
Efficiency category	total		catefficiency
Input power of the motor at the energy efficiency optimum	0.11	kW	P _{e, opt}
Overall efficiency	72.6	%	η _{ges}
Measurement category	B		meas cat
Fan pressure at energy efficiency optimum	228	Pa	p _{f, opt}
Flowrate at energy efficiency optimum	749	m³/h	q _{v, opt}



EMI 200 E2M O 01

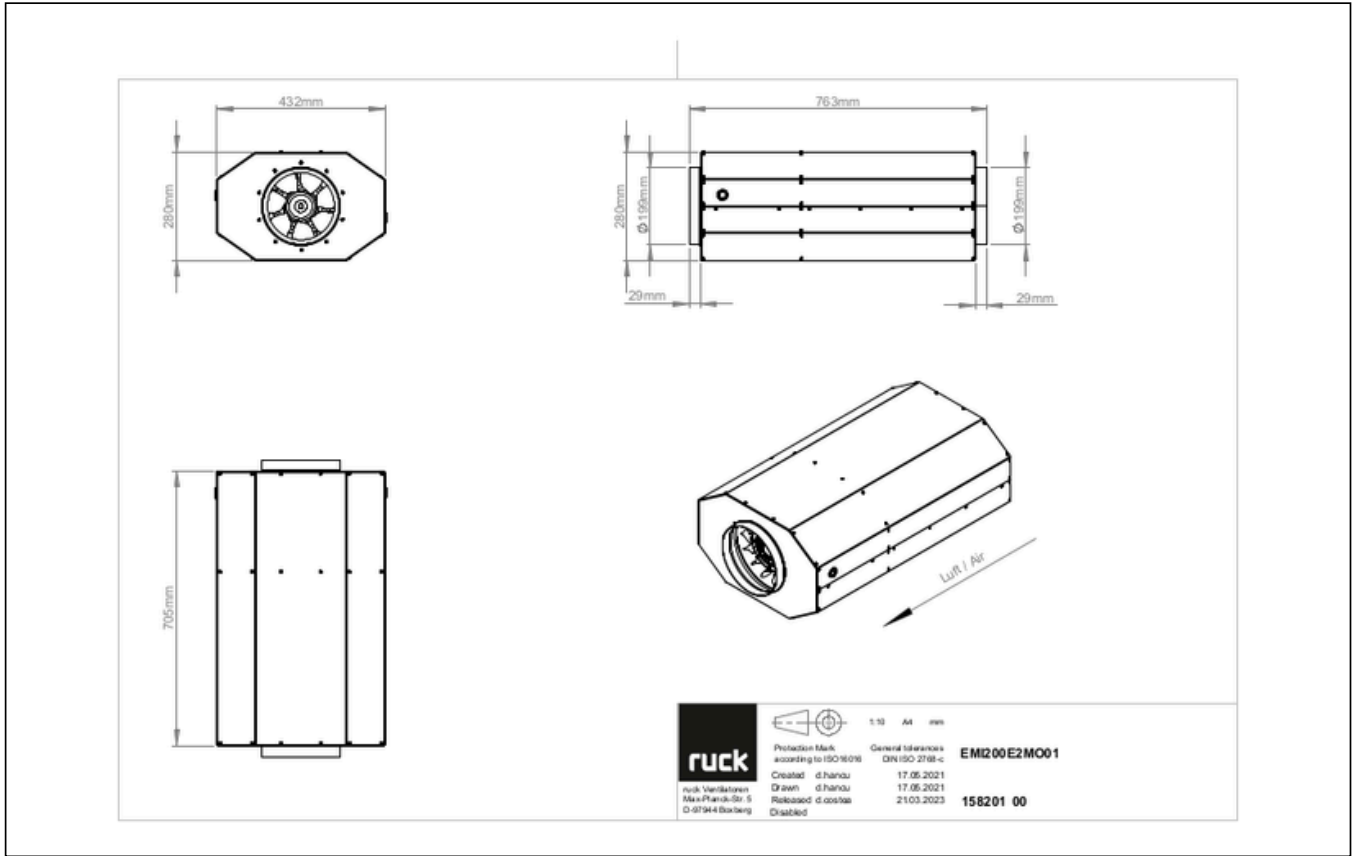
158201

CIRCUIT DIAGRAMS / DIMENSIONAL DRAWINGS



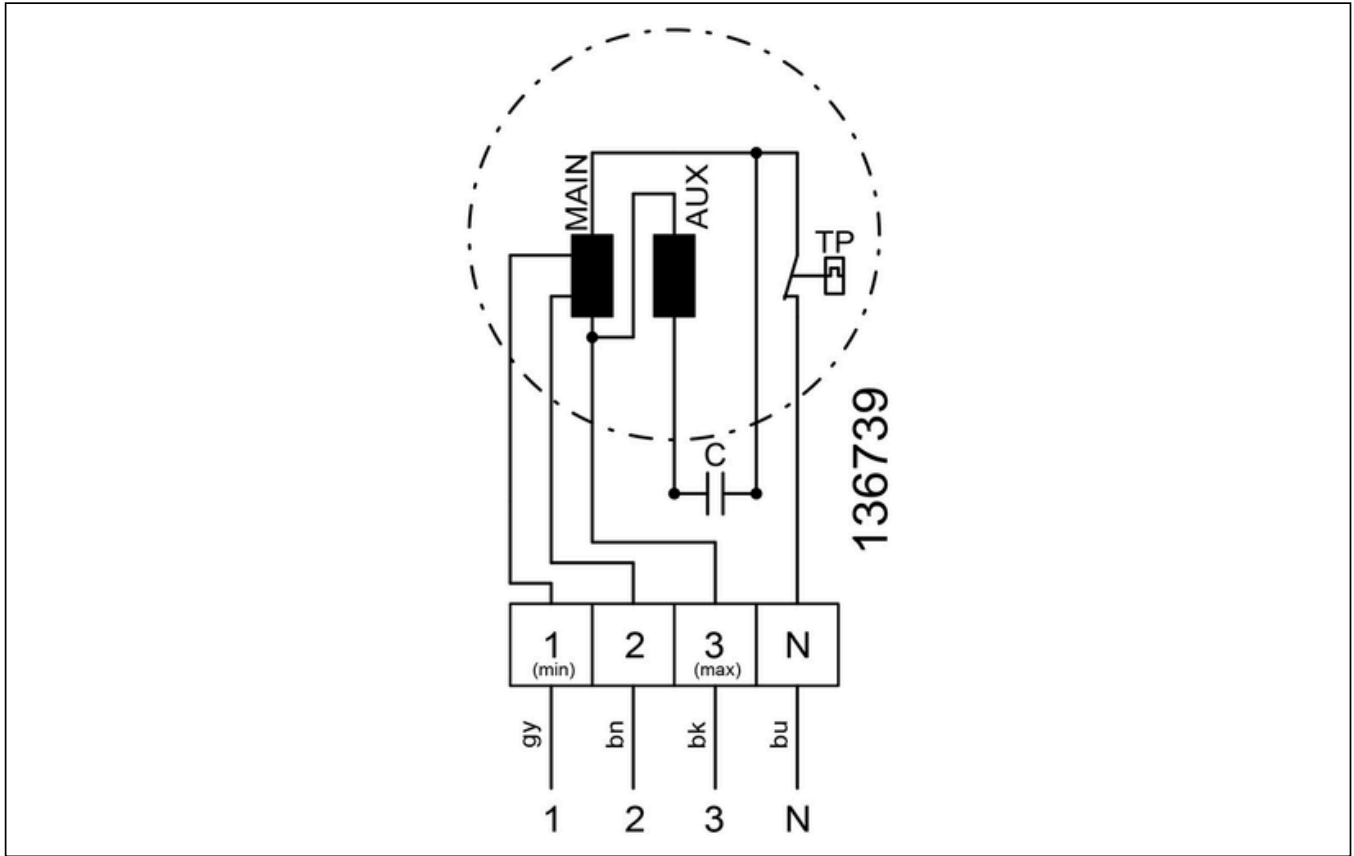
EMI 200 E2M O 01

158201



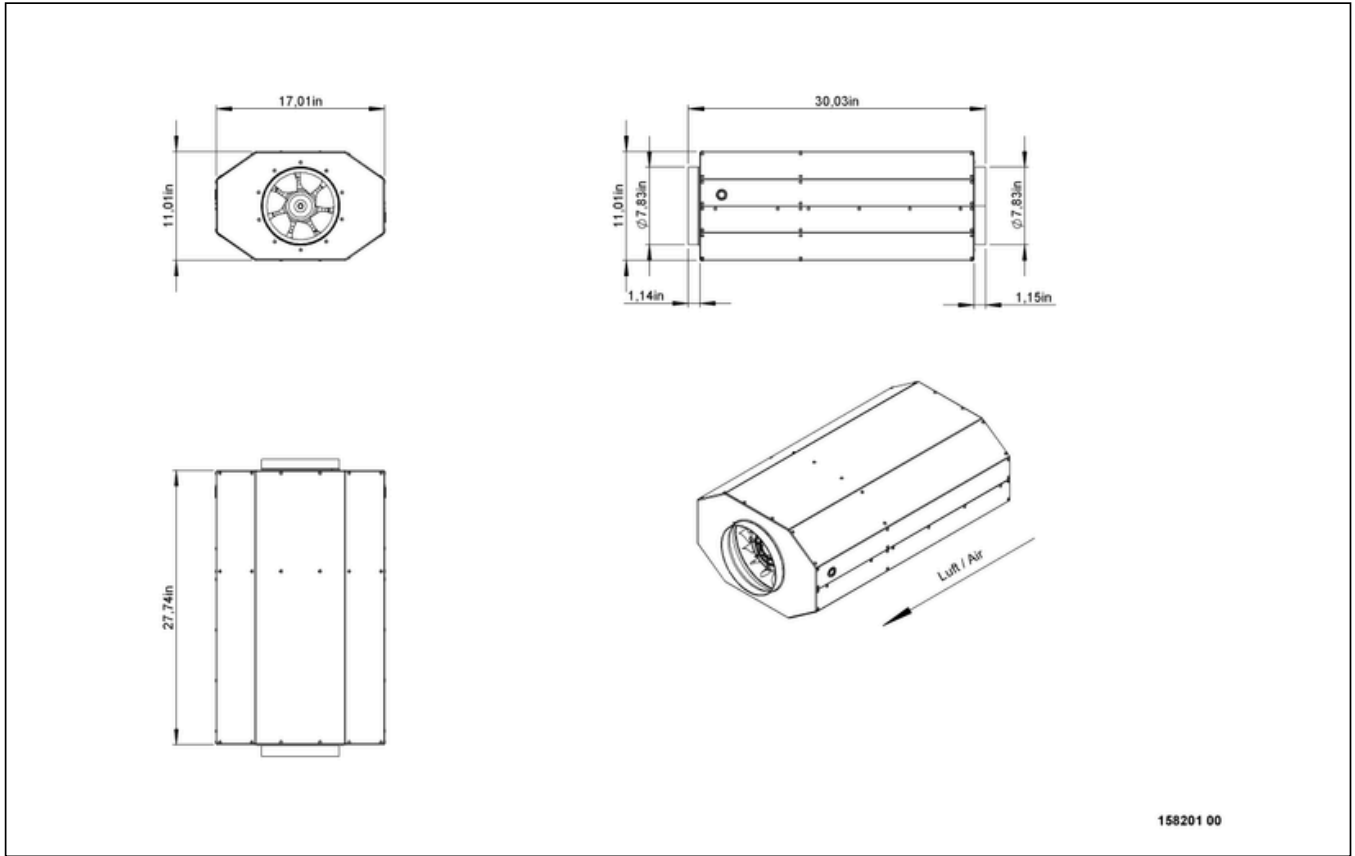
EMI 200 E2M O 01

158201



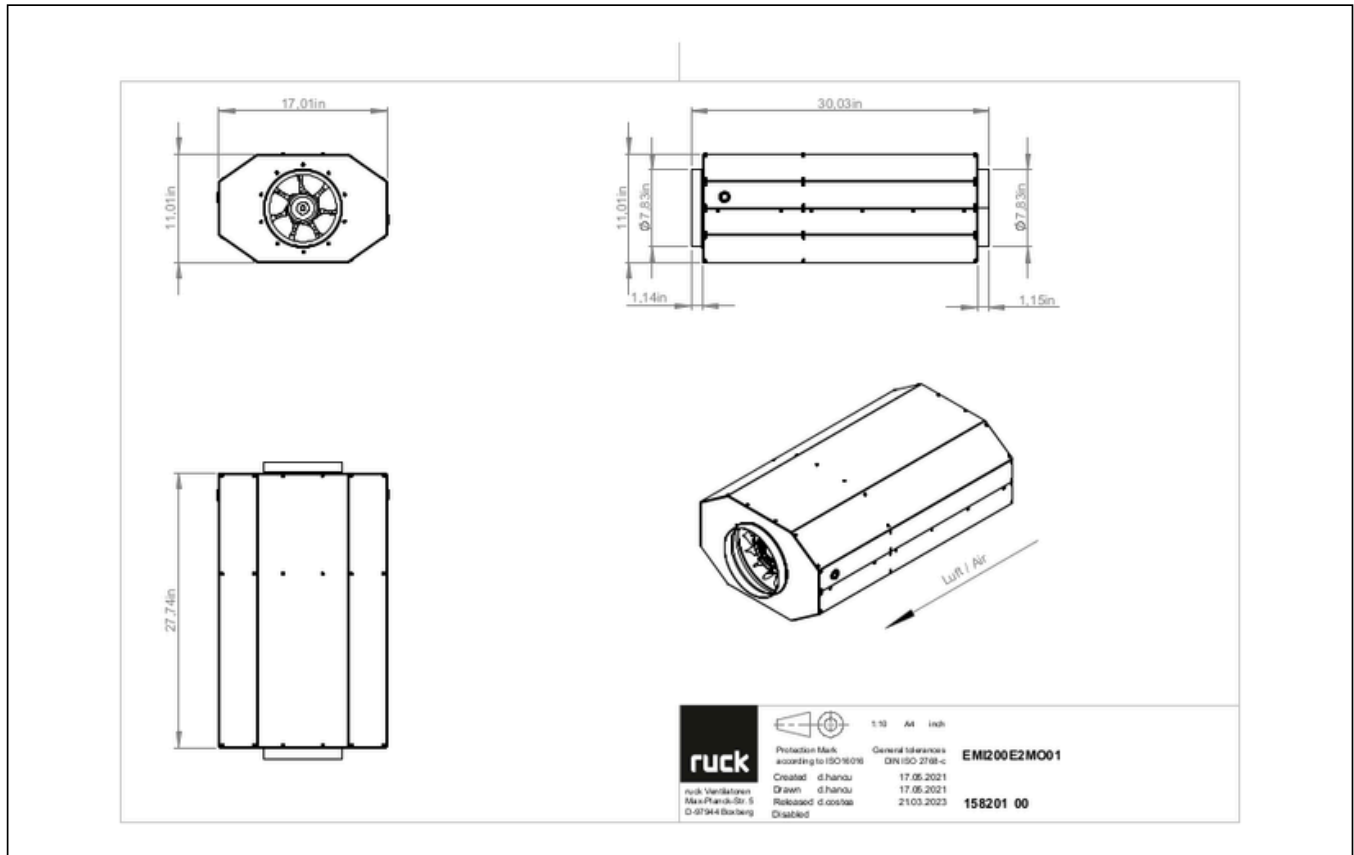
EMI 200 E2M O 01

158201



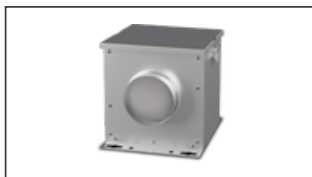
EMI 200 E2M O 01

158201



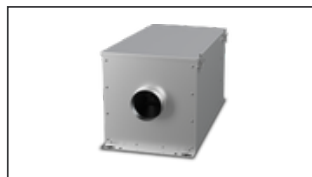
MECHANICAL ACCESSORIES

FV 200 | 112832



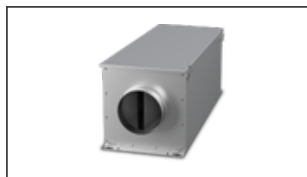
- Air filter box with mat filter ISO Coarse 45 % (G3)
- Toggle-type fastener

FT 200 | 112840



- Air filter box for pocket filter
- Toggle-type fastener
- Galvanized steel sheet housing
- Without filter

FTW 200 | 112853



- Air filter box with pocket filter M5
- Integrated warm water heating coil
- Galvanized steel sheet housing
- Toggle-type fastener

RSK 200 | 102662



- Back draught shutter for tube fitting
- Galvanized steel sheet housing
- Aluminum flaps

RSK 200D | 113487



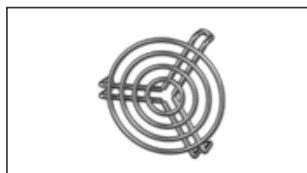
- Back draught shutter for tube fitting
- Galvanized steel sheet housing
- Aluminum flaps
- Integrated gasket

VM 200 | 102650



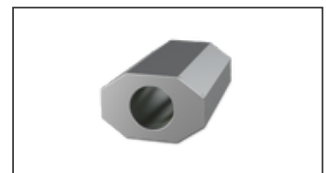
- Fast clamps for sound decoupling and sealing
- Galvanized steel sheet, 5 mm
- Neopren gasket
- 1 Pack = 2 pieces

SG 200 01 | 102898



- Protection grille for tube connection
- Galvanized wire

SD 00200 500 R 05 | 158220



- Rigid tube silencer
- Galvanized steel sheet
- Insulated with mineral wool



to the product detail page

EMI 200 E2M O 01

158201

ELECTRICAL ACCESSORIES

GS 03 | 107633



- Device switch
- $U_{max} = 400\text{ V}$, $I_{max} = 25\text{ A}$
- Switching capacity $400\text{ V } 3\sim = 5,5\text{ kW}$
- Protection class IP 55

MTS 10 | 128145



- 3-step switch
- Max. ambient temperature 50 °C
- Surface and flush mounting
- IP 44



to the product detail page