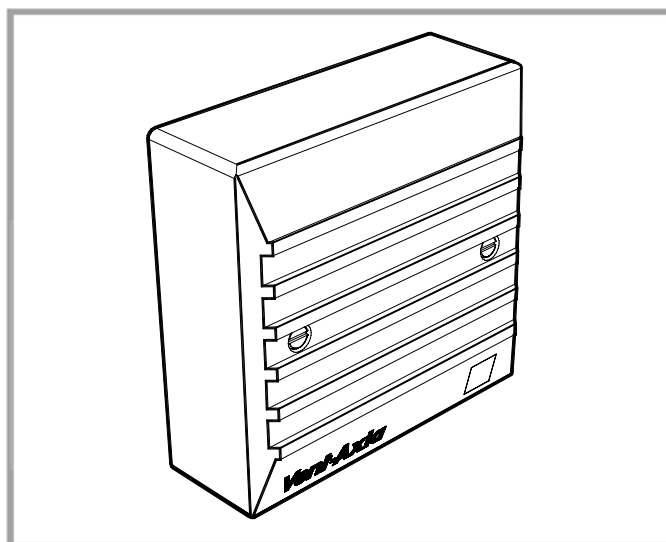


Isolator Relay Controller

Installation and Wiring Instructions



Stock Ref. N°
442030

220-240V ~50Hz

Vent-Axia®

PLEASE READ INSTRUCTIONS IN CONJUNCTION WITH THE ILLUSTRATIONS.
PLEASE SAVE THESE INSTRUCTIONS

CE



**IMPORTANT:
READ THESE INSTRUCTIONS BEFORE COMMENCING THE INSTALLATION**

OPERATION

The Isolator relay controller can be used for isolating the Ls connection from lighting circuits or remote sensors i.e P.I.R sensor.
Max load 240V 10A

SITING

The controller must not be installed in a shower cubicle or enclosure. It must be sited away from direct sources of water spray and out of reach of a person using a fixed bath or shower.

Ambient temperature range: 0 to 40°C. Site away from direct sources of heat. Do not site above a radiator or other heat source.

FITTING

The Isolator relay controller is designed to fit any UK single mounting box with a minimum depth of 20mm. Fixing centres 60.3mm. A surface mounting box is available (Vent-Axia Ref. 410020).

WIRING

WARNING: For your safety please ensure that BOTH mains supplies are isolated before making electrical connections. The controller MUST be connected to a 220-240V 50Hz AC single phase mains supply.

WARNING: The Isolator relay controller MUST NOT be earthed. It is Class II double insulated. However, if the Controller is mounted on a metal outlet box the outlet box should be earthed. If the fan requires an earth connection then earth continuity must be provided.

All electrical connections should be made by a properly qualified electrician. The siting and installation MUST comply with the current I.E.E. Regulations (BS7671 UK) or the appropriate standards in your country.

When using surface wiring that is not contained in conduit, the cables must be securely clipped to the mounting surface, close to the controller.

Electrical connections depend on the model of fan and the required mode of operation, see the fan leaflet for connection details. Fig 1 shows an example of wiring connections, using a Timespan controller (56 35 19), Fig 2 shows the controller operating a fan via a room light switch. And Fig 3 using a trickle boost switch (45 52 13).

Double check the wiring making sure all connections are secure. Fit the Controller to the mounting box with the two screws provided. Do not over-tighten the screws. Do not trap any wires when fitting the two pieces together.

Switch the mains supply on and check operation.

All regulations and requirements MUST be strictly followed to prevent hazards to life and property both during and after installation, and during any subsequent servicing and maintenance.

Fig 1. Wiring connection using Vent-Axia Isolator relay controller & Timespan controller (56 35 19) to operation a Fan.

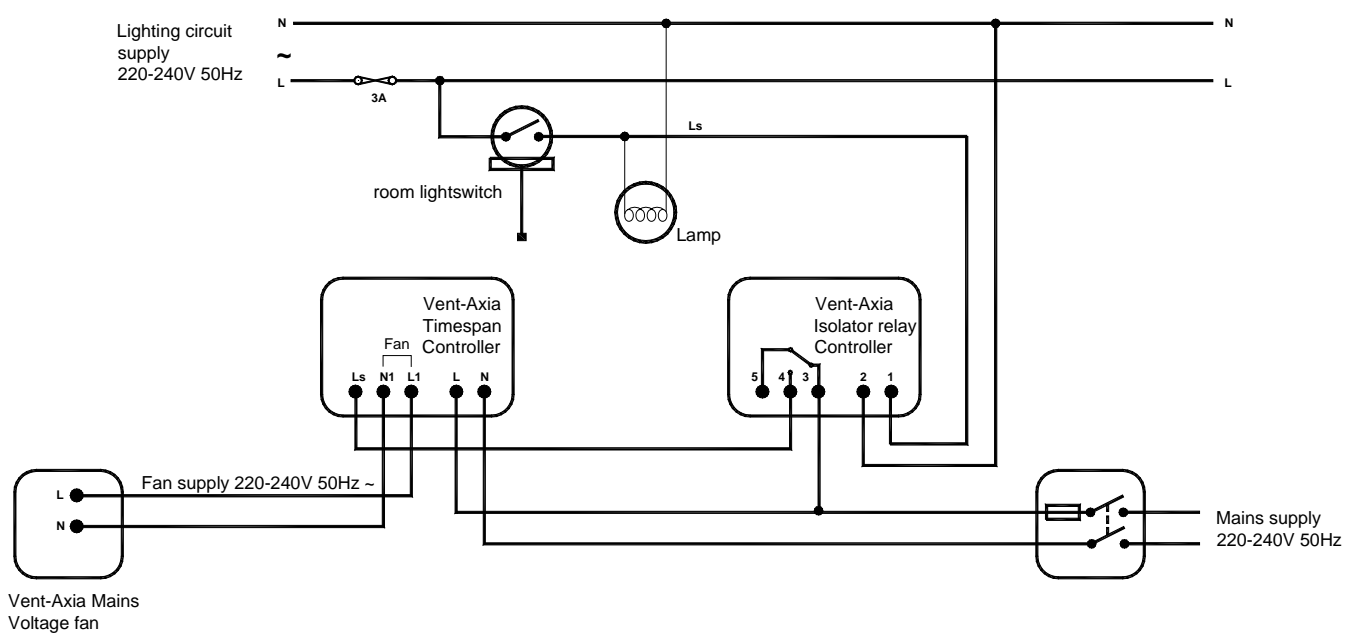


Fig 2. Wiring connection using Vent-Axia isolator relay controller to operate a fan via a room light switch.

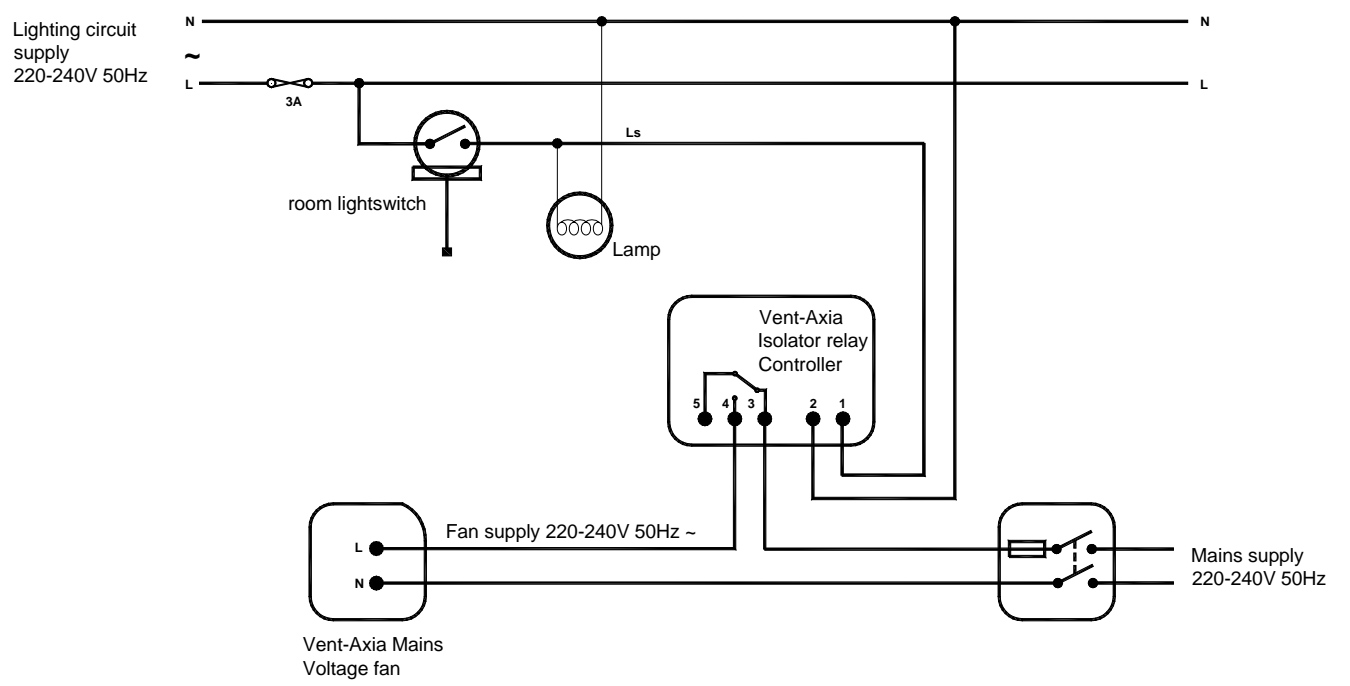
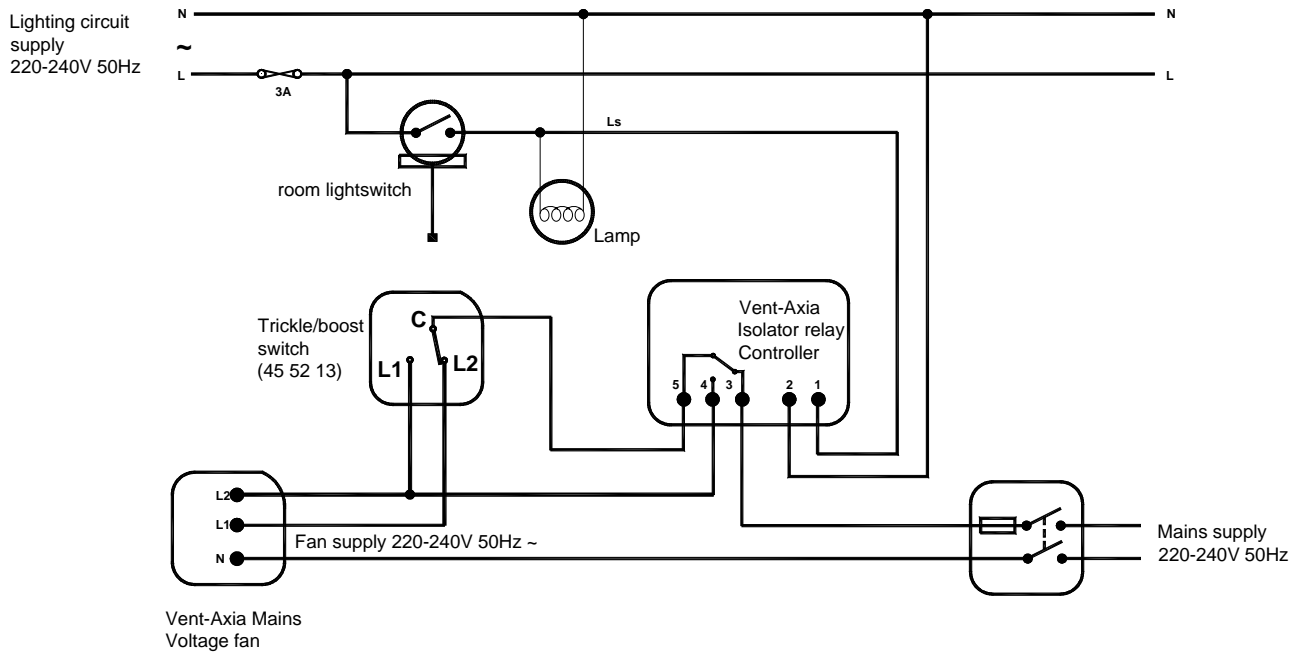


Fig 3. Wiring connection using Vent-Axia isolator relay controller to boost a fan via a room light switch or trickle boost switch (45 52 13).



Vent-Axia®

Head Office: Fleming Way, Crawley, West Sussex, RH10 9YX. Tel: 01293 526062 Fax: 01293 551188

UK NATIONAL CALL CENTRE, Newton Road, Crawley, West Sussex, RH10 9JA

SALES ENQUIRIES: Tel: 0844 8560590 Fax: 01293 565169

TECHNICAL SUPPORT: Tel: 0844 8560594 Fax: 01293 539209

For details of the warranty and returns procedure please refer to www.vent-axia.com or write to Vent-Axia Ltd, Fleming Way, Crawley, RH10 9YX