

## Axial Fans AW sileo EC

The energy efficient axial fans  
of generation sileo



**Real value through high performance quietly delivered:** Welcome to AW sileo EC. A totally new generation of modern Systemair low pressure axial fans, consequently developed towards one goal: Energy efficient - lower noise level - strong performance. Designed especially for all noise sensitive applications and areas.

**sileo. With quiet tones to the top.**



# Energy efficient, robust, durable, low noise level

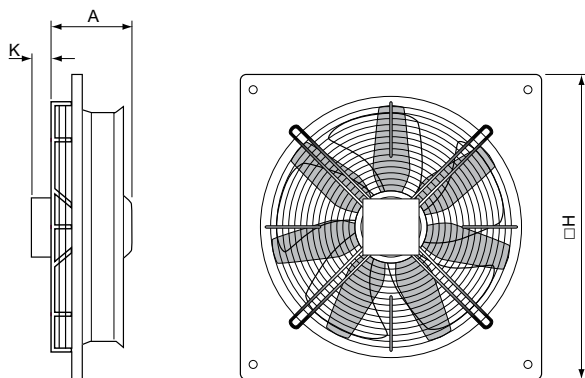
## Generation AW sileo EC



AW sileo EC

### AW sileo EC

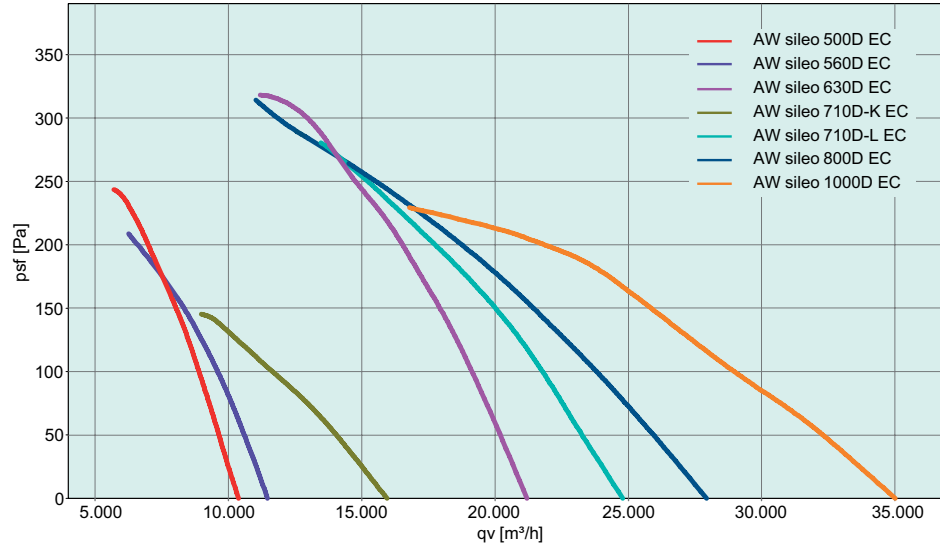
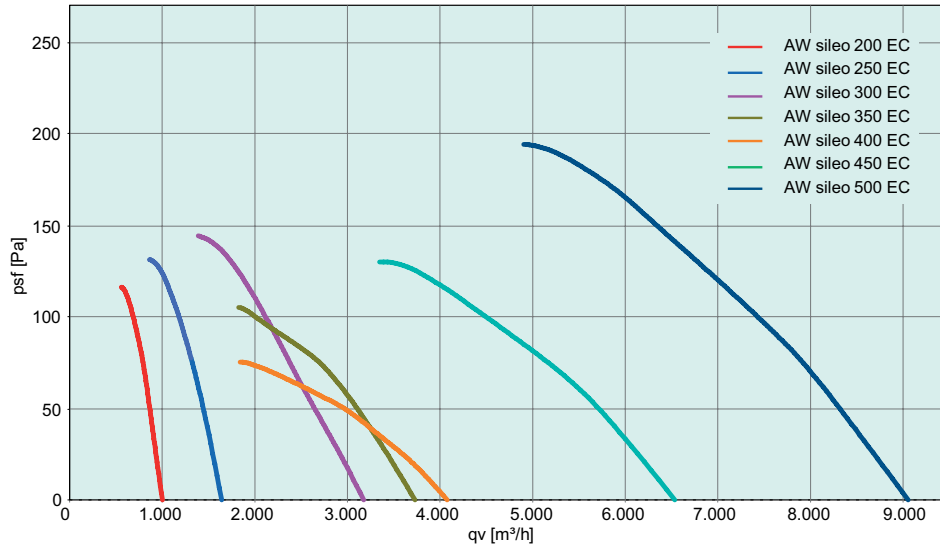
- Noise and performance optimized impeller blades, manufactured from fiber-reinforced plastic (PP) with metal core
- AW fans have a square wall plate manufactured from galvanized, powder coated steel (RAL9005)
- Power supply 50/60 Hz  
230V 1~ (sizes 200-500);  
400V 3~ (sizes 500-1000)
- Motor protection is integrated in the electronics of the motor
- 100% speed controllable (0-10V).
- With protection guard at the inlet
- Can be installed in any mounting position
- Maintenance free and safe operation



### Dimensions

AW sileo EC	Article no.	A	□H	K
200	35854	75	312	60
250	35855	85	370	60
300	35857	125	430	60
350	35859	145	485	27
400	35860	150	540	27
450	35863	165	575	30
500	35865	180	656	53
500D	35866	180	656	0
560D	35867	208	725	0
630D	35872	268	805	20
710D-K	35874	221	850	0
710D-L	35876	255	850	20
800D	35879	259	970	20
1000D	35899	263	1170	15

## Performance



Detailed information about our sileo range of axial fans and all other Systemair products can be found in our online-catalogue at [www.systemair.com](http://www.systemair.com).



## Accessories



**VK**  
Automatic shutter



**SG AW-D**  
Protection guard

## Electrical accessories



**EC-Vent**  
Control board



**EC-Vent RU2**  
Room Unit



**MTP 10**  
Stepless Speed Control



**MTP 20**  
3 step, on/off  
Speed Control



**MTV-1**  
0-10V Speed Control /  
230V supply



A typical application for the axial fans AW sileo EC for example is the installation in warehouses and assembly workshops.

