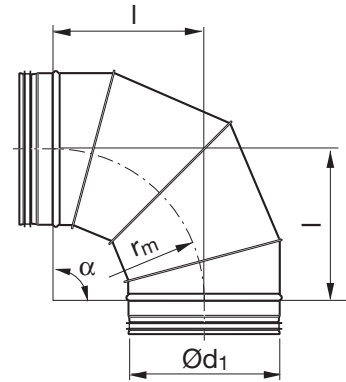


# Bend – lockseamed

# BFU, BF 90°



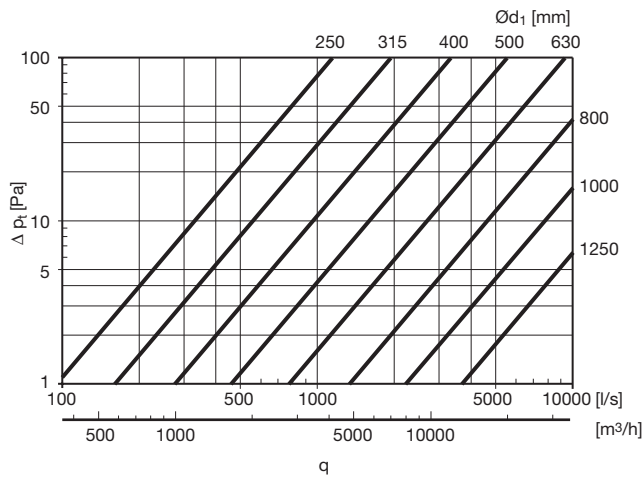
## Dimensions



$$r_m \approx 1 \cdot d_1$$

## Description

Segmented and lockseamed bend.



BFU- Eurovent certified Lindab Safe fitting with gasket.  
 BF- Lindab Vent fitting without gasket.

$\text{Ø}d_1$ nom	l mm	m kg	Number of seg- ments
250	250	2,20	4
280	280	2,50	4
300	300	2,7	4
315	315	3,00	4
355	355	3,75	4
400	400	5,64	4
450	450	7,00	4
500	500	8,20	4
560	560	10,1	4
600	600	11,7	4
630	630	12,9	4
710	710	19,8	4
800	800	26,0	4
900	900	33,6	4
1000	1000	42,0	5
1120	1120	52,6	5
1250	1250	64,0	5

## Ordering example

