

BACKDRAUGHT SHUTTERS

ELTA

» **Select** models available for next day delivery



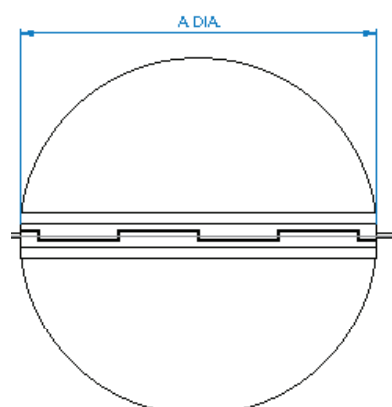
BACKDRAUGHT SHUTTERS

Overview



- Prevent backdraught and reduces heat loss from building
- Finished in white A.B.S.
- Factory fitted option on request

| Product Code | A | Weight kg |
|--------------------------------|-----|-----------|
| 039-SFSV-25 | 290 | 0.25 |
| 039-SFSV-31/35 | 382 | 0.28 |
| 039-SFSV-40/45 | 482 | 0.52 |
| 039-SFSV-50/56 | 598 | 0.70 |
| 039-SFSV-63/71 | 744 | 1.03 |
| 039-SFSV-80 | 844 | 1.62 |



Dimensions are in mm.

Tel **+44 (0) 1384 275800**
Email **info@eltauk.com**
eltauk.com

039-SFSV-03-2018 Issue A



BS EN ISO 9001:2015 FM 556465

