

BIFLOW SB CON

Product Brochure



BIFLOW SB (CON)

Bifurcated Conical Axial Flow Fan

For full detailed information on the following:
Sound Data, Accessories & Wiring Data
 and **Optimum Energy Efficiency Point**
 please visit eltaselect.com.

QUICK FACTS

- ✓ 4 standard sizes from 250mm to 500mm.
- ✓ Air volume flow rates up to 3.80 m³/s.
- ✓ Static pressures up to 600 Pa.
- ✓ Suitable for operating temperatures up to +200°C.
- ✓ Available in **AC**.

CASING

The all metal fan casing provides a long lasting and robust construction.

The units have been constructed from sheet steel with both motor and impeller mounted within the length of the unit casing. The motor is located out of the airstream in a tunnel which traverses the casing making the unit suitable for temperatures up to +200°C.

All casing parts are heavy gauge mild steel sheet, roll formed and welded, then hot dip galvanised to BS EN ISO 1461:1999 after fabrication.

IMPELLER

Adjustable pitch aerofoil impellers are provided with blades made from high quality pressure die cast aluminium (LM6), natural finish.

Impellers are factory set at an angle to provide maximum performance.

The hubs are manufactured from die cast aluminium alloy (LM24). Assembled impellers are to be dynamically balanced to ISO 14694 Grade G6.3.

MOTORS

Motors are to be foot mounted totally enclosed metric type to IP55, with sealed for life bearings, standard industrial paint finish and Class H insulation to EN 60034-5.

QUALITY MANAGEMENT

Units are to be designed and manufactured with procedures as defined in BS EN ISO 9001:2008.

All SB (CON) units are to be tested to ISO 5801:2007 (airside performance) and BS 848 Part 2:1985 (sound performance).

TYPICAL APPLICATIONS

- Kitchen Extract
- Spray Booths
- Hot Gas Situations
- Corrosive Atmospheres
- Boiler Houses
- Heavy Industrial

ACCESSORIES

For full accessories & controls information please visit eltaselect.com



Elta Fans Limited has a policy of continuous product development and improvement and therefore reserves the right to supply products which may differ from those illustrated and described in this publication. Confirmation of dimensions and data will be supplied on request.

BIFLOW SB (CON)

Performance, SFP & Electrical Data



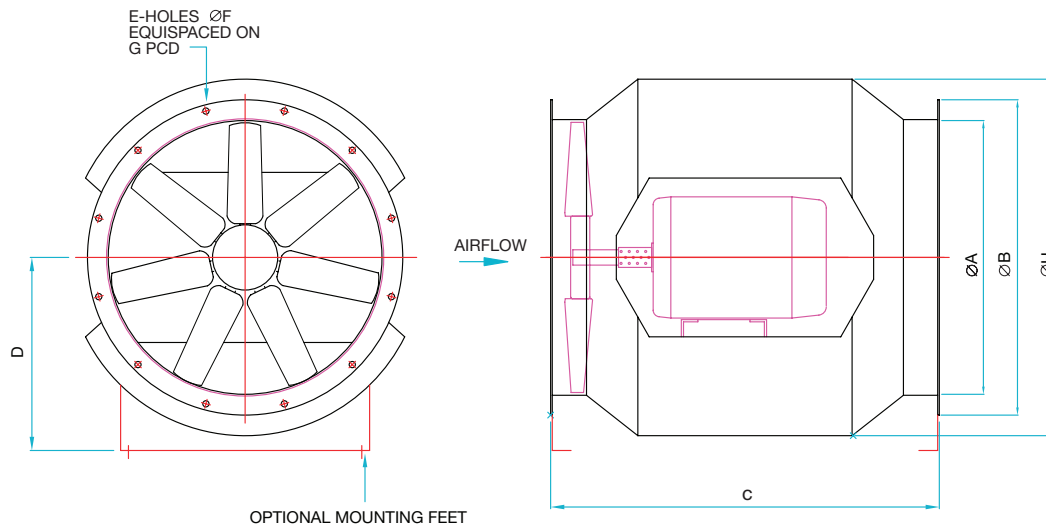
SINGLE Phase - 220 to 240V / 50Hz

Product Code	Speed r/min	Airflow SFP	Airflow m ³ /s @ Static Pressure Pa								Motor Electrical Data		dBA @ 3m	
			0	25	50	75	100	150	200	250	Peak Amps	Input kW		
SB250-CON4-1	1450	m ³ /s	0.280	0.223	0.150	0.029	-	-	-	-	1.13	0.120	Inlet	48
SB315-CON4-1	1370	m ³ /s	0.521	0.483	0.439	0.383	0.257	-	-	-	1.13	0.120	Inlet	51

THREE Phase - 380 to 415V / 50Hz

Product Code	Speed r/min	Airflow SFP	Airflow m ³ /s @ Static Pressure Pa												Motor Electrical Data		dBA @ 3m	
			0	25	50	75	100	150	200	250	300	350	400	500	Peak Amps	Input kW		
SB250-CON2-3	2780	m ³ /s	0.566	0.535	0.502	0.468	0.434	0.360	0.282	0.198	-	-	-	-	0.68	0.250	Inlet	61
SB250-CON4-3	1370	m ³ /s	0.270	0.211	0.140	0.040	-	-	-	-	-	-	-	-	0.48	0.120	Inlet	48
SB315-CON2-3	2780	m ³ /s	0.931	0.919	0.906	0.892	0.878	0.846	0.810	0.768	0.716	0.648	0.554	-	1.18	0.550	Inlet	64
SB315-CON4-3	1370	m ³ /s	0.521	0.483	0.439	0.383	0.257	-	-	-	-	-	-	-	0.48	0.120	Inlet	51
SB400-CON2-3	2800	m ³ /s	2.082	2.065	2.047	2.029	2.010	1.969	1.926	1.878	1.825	1.766	1.698	1.527	4.42	2.200	Inlet	70
SB500-CON2-3	2840	m ³ /s	3.803	3.780	3.756	3.732	3.707	3.655	3.600	3.541	3.477	3.408	3.332	3.152	7.49	4.000	Inlet	80

Dimensional Data



Product Code	A	B	C	D	E	F	G	H	Weight kg	
									1Ph	3Ph
SB250	250	325	460	220	8	10	299	400	23	23
SB315	315	380	500	250	8	10	355	460	30	30
SB315-CON2-3	315	380	500	250	8	10	355	460	-	31
SB400	400	485	650	305	8	12	450	570	-	49
SB500	500	585	710	370	12	12	560	700	-	86

Dimensions are in mm.

Exempt from ErP of the European Parliament.

The overall A-weighted sound pressure level is at a distance of 3m with spherical free-field propagation.

It is expressed in dB re-20µPa and is presented for comparative purposes only.

Data provided at standard air density of 1.2 kg/m³.

Eltas Fans Limited has a policy of continuous product development and improvement and therefore reserves the right to supply products which may differ from those illustrated and described in this publication. Confirmation of dimensions and data will be supplied on request.

BIFLOW SB (CON)

Accessories



Product Code	Impeller Side Guard	Ancillary Pack*	Mounting Feet (each)	Matching Flanges (each)	Flexible Connections (each)	AV Mounts (set of 4)	Damper
SB250-CON4-1	078C-0250-C	APK250SBCON/002	060B-0250-B	061B-0250-B	063-0250-PU250	062-002	019-0250-STD
SB315-CON4-1	078C-0315-C	APK315SBCON/003	060B-0315-B	061B-0315	063-0315-PU250	062-003	019-0315-STD

Product Code	Bell Mouth Inlet	Silencer 1D Podded	Silencer 1D Unpodded	Silencer 2D Podded	Silencer 2D Unpodded
SB250-CON4-1	241B-0250	068-0250-1DEP	068-0250-1DENP	068-0250-2DEP	068-0250-2DENP
SB315-CON4-1	241B-0315	068-0315-1DEP	068-0315-1DENP	068-0315-2DEP	068-0315-2DENP

Product Code	Impeller Side Guard	Ancillary Pack*	Mounting Feet (each)	Matching Flanges (each)	Flexible Connections (each)	AV Mounts (set of 4)	Damper
SB250-CON2-3	078C-0250-C	APK250SBCON/002	060B-0250-B	061B-0250-B	063-0250-PU250	062-002	019-0250-STD
SB250-CON4-3	078C-0250-C	APK250SBCON/002	060B-0250-B	061B-0250-B	063-0250-PU250	062-002	019-0250-STD
SB315-CON2-3	078C-0315-C	APK315SBCON/003	060B-0315-B	061B-0315	063-0315-PU250	062-003	019-0315-STD
SB315-CON4-3	078C-0315-C	APK315SBCON/003	060B-0315-B	061B-0315	063-0315-PU250	062-003	019-0315-STD
SB400-CON2-3	078C-0400-C	APK400SBCON/003	060B-0400-B	061B-0400	063-0400-PU250	062-003	019-0400-STD
SB500-CON2-3	078C-0500-C	APK500SBCON/004	060B-0500-B	061B-0500	063-0500-PU250	062-004	019-0500-STD

Product Code	Bell Mouth Inlet	Silencer 1D Podded	Silencer 1D Unpodded	Silencer 2D Podded
SB250-CON2-3	241B-0250	068-0250-1DEP	068-0250-1DENP	068-0250-2DEP
SB250-CON4-3	241B-0250	068-0250-1DEP	068-0250-1DENP	068-0250-2DEP
SB315-CON2-3	241B-0315	068-0315-1DEP	068-0315-1DENP	068-0315-2DEP
SB315-CON4-3	241B-0315	068-0315-1DEP	068-0315-1DENP	068-0315-2DEP
SB400-CON2-3	241B-0400-BELL	068-0400-1DEP	068-0400-1DENP	068-0400-2DEP
SB500-CON2-3	241B-0500-BELL	068-0500-1DEP	068-0500-1DENP	068-0500-2DEP

* Consists of Flexible Connections, Matching Flanges, AV Mounts and Mounting Feet.

Elta Fans Limited has a policy of continuous product development and improvement and therefore reserves the right to supply products which may differ from those illustrated and described in this publication. Confirmation of dimensions and data will be supplied on request.

Applied Technology

Tel: +44 (0) 1489 566500
Fax: +44 (0) 1489 566555
Email: at@eltafans.co.uk

17 Barnes Wallis Road,
Segensworth East Industrial
Estate, Fareham, Hampshire,
PO15 5ST United Kingdom

Building Services

Tel: +44 (0) 1384 275800
Fax: +44 (0) 1384 275810
Email: bs@eltafans.co.uk

46 Third Avenue,
Pensnett Trading Estate,
Kingswinford, West Midlands,
DY6 7US United Kingdom

Export

Tel: +44 (0) 1489 566500
Fax: +44 (0) 1489 566555
Email: export@eltafans.co.uk

17 Barnes Wallis Road,
Segensworth East Industrial
Estate, Fareham, Hampshire,
PO15 5ST United Kingdom

www.eltafans.com



BS EN ISO 9001:2008 FM 556465

