



CBM

5128041000 - CBM-10/8 373 6P VR (230V50)F V5 - DIRECT-DRIVEN CENTRIFUGAL FANS



Direct driven double inlet low pressure forward curved centrifugal fan with 6 pole single phase built-in motor running at 1-230V-50Hz. IP20 protection. Brand S&P and model CBM-10/8 373 6P VR (230V50)F V5.

5128041000 - CBM-10/8 373 6P VR (230V50)F V5

Theoretical Working Point

Airflow	-
Static Pressure	0,000 Pa
Temperature	20 °C
Altitude	0 m
Density	1,2 kg/m ³
Frequency	50 Hz

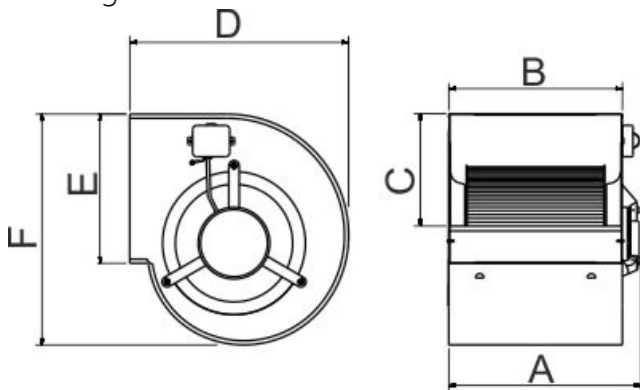
Construction

Fan size	10/8
Minimum temperature	-20°C
Maximum temperature	55°C
Weight	13,50 kg

Motor Characteristics

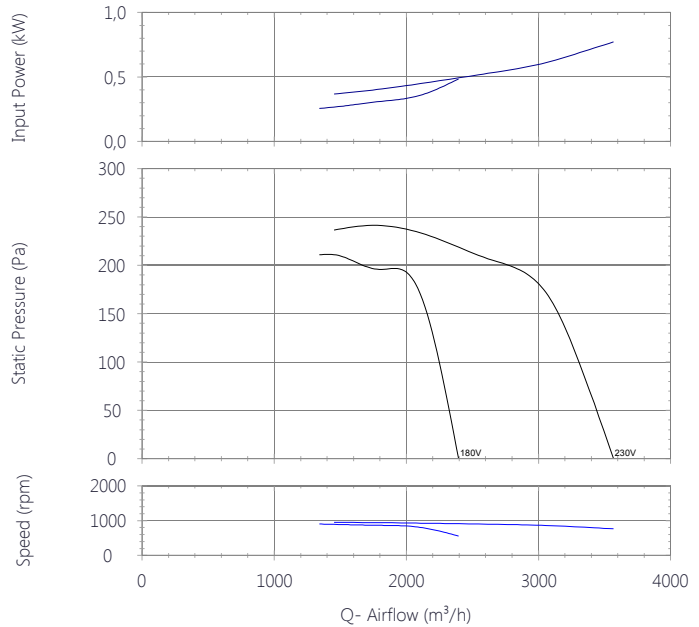
Number of poles	6
Maximum Input power	0,77 kW
Maximum absorbed current	3,6 A
Voltage	1-230V-50Hz
IP Rating	IP20
Motor insulation class	F

Drawing



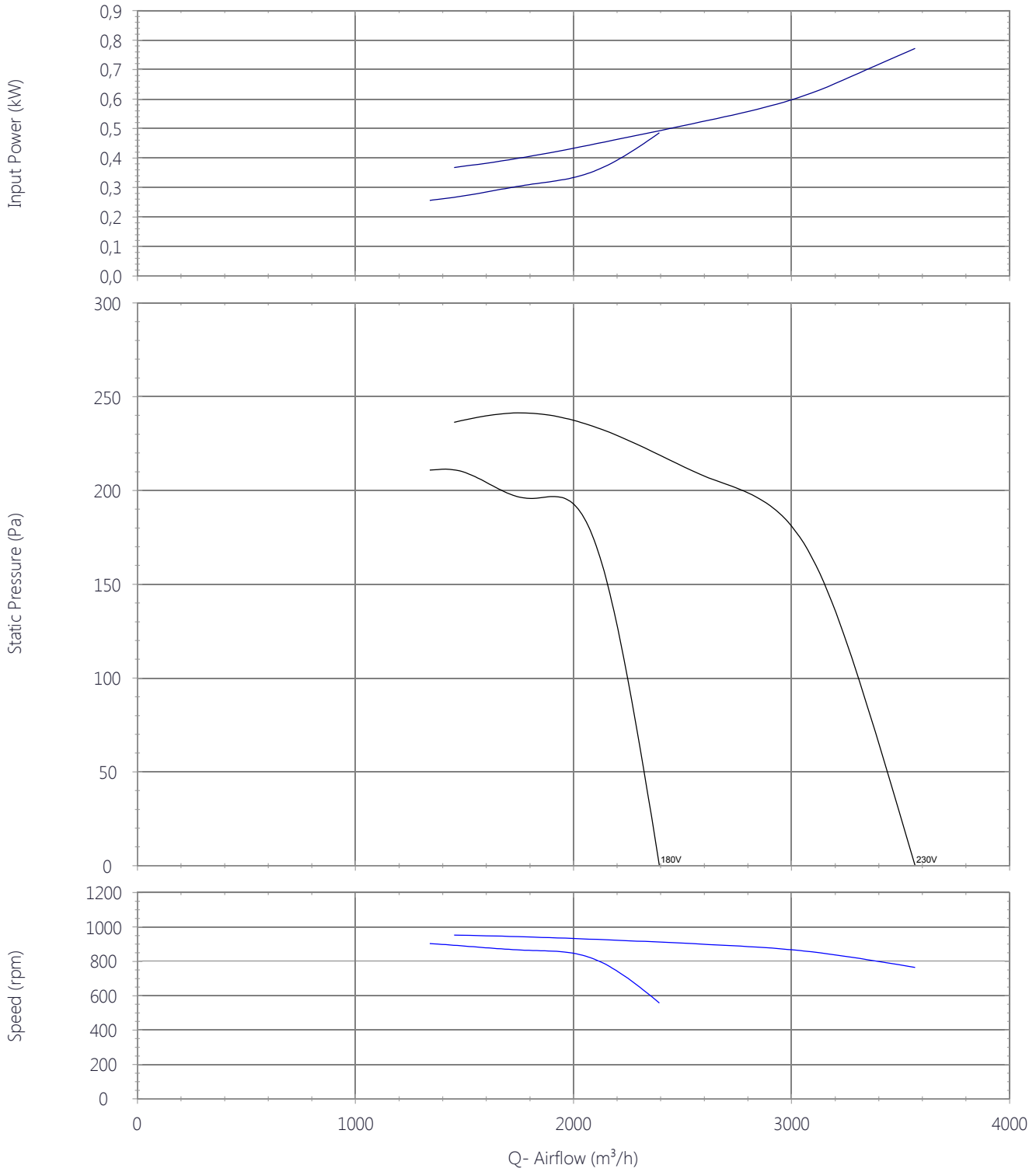
A	B	C	D	E	F
357	267	213	423	288	443

Performance Chart

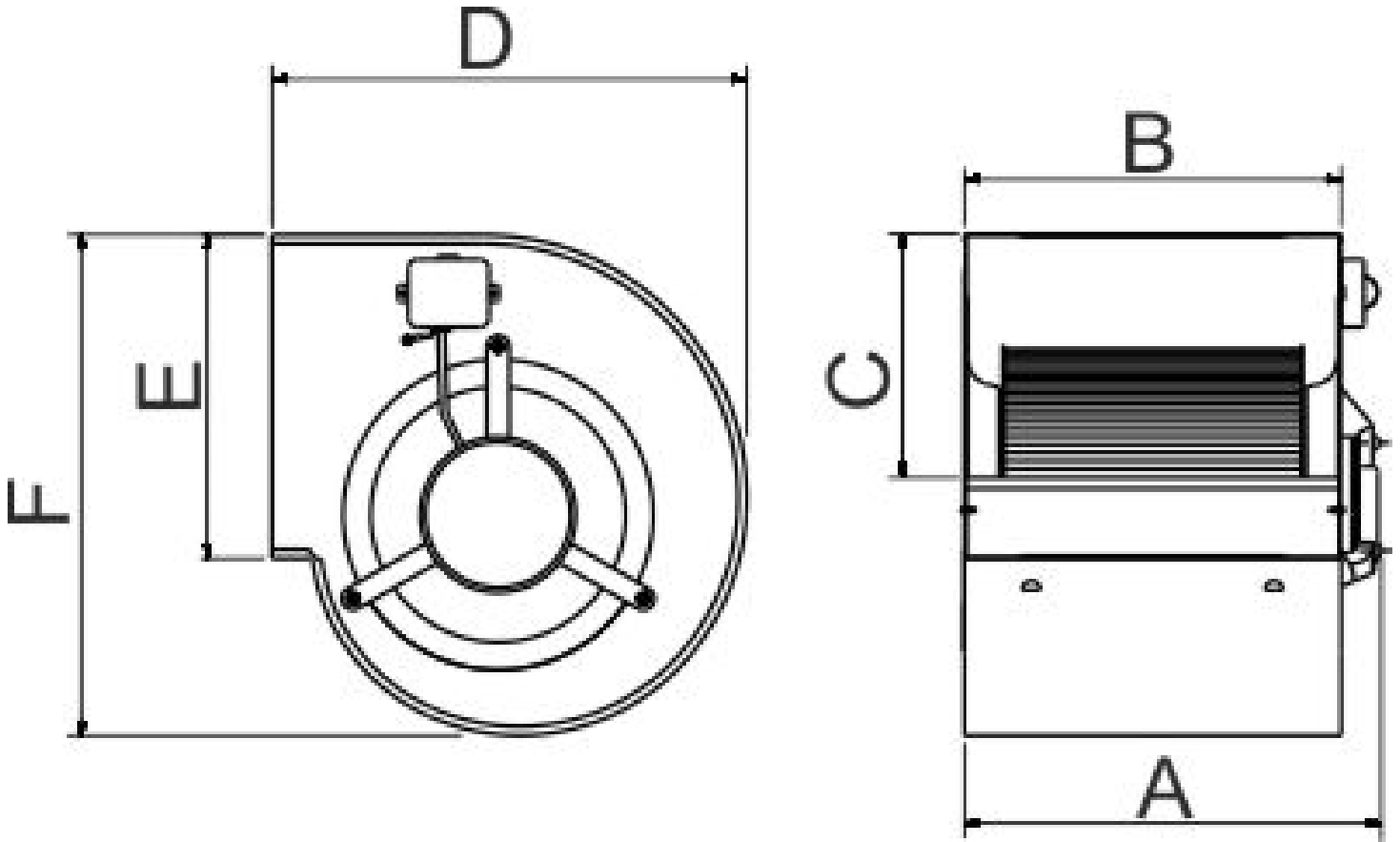




Performance Chart



Drawing

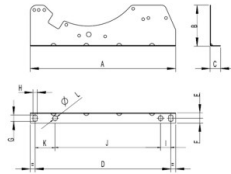


A	B	C	D	E	F
357	267	213	423	288	443

Accessories

5127234200 - PIE SOPORTE CBP/CBM 10/10

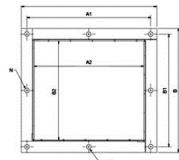
MOUNTING FEET


Dimensions


A	B	C	D	E	F	G	H	I	J	K	L
363	102	26	339	13.5	12.5	16	10.5	37.5	263.5	62	12

5128923900 - BRIDA DESCARGA CBM 10/8

Rectangular flange for mounting at the fan outlet.


Dimensions


A	A1	B	B1	ND
314	293	339	316	NxØ (mm) (8x9)

**CBM**

5128041000 - CBM-10/8 373 6P VR (230V50)F V5 - DIRECT-DRIVEN CENTRIFUGAL FANS



ErP Data

Maximum efficiency %]	41,2
Installation type	B
Category efficiency	Total
N	N49,1
Variable speed drive	+
Year of manufacture	Product Rating Plate
Manufacturer's Info	S&P ES-08150 CIF-864911928
Product code	5128041000
Input power at optimum efficiency point (kW)	0,571
Airflow at optimum efficiency point [m3/h]	2,873
Pressure at optimum efficiency point [Pa]	295
Speed at optimum efficiency point	880
Specific Ratio	1
Recycling/disposal	Instruction Manual
Maintenance	Instruction Manual
Additional components	Catalogue and according to ISO 5801