



## CBP-SM

CBP-RC 10/10 0.55KW/4 1300RPM 3-230/400V-50HZ IE1

Double inlet centrifugal fan , forward curved brand S&P model CBP-RC 10/10 0.55kW/4 1300rpm 3-230/400V- 50HzIE1 .



### Theoretical Working Point

Airflow	-
Static Pressure	0,000 Pa
Temperature	20 °C
Altitude	0 m
Density	1,2 kg/m <sup>3</sup>
Frequency	50 Hz

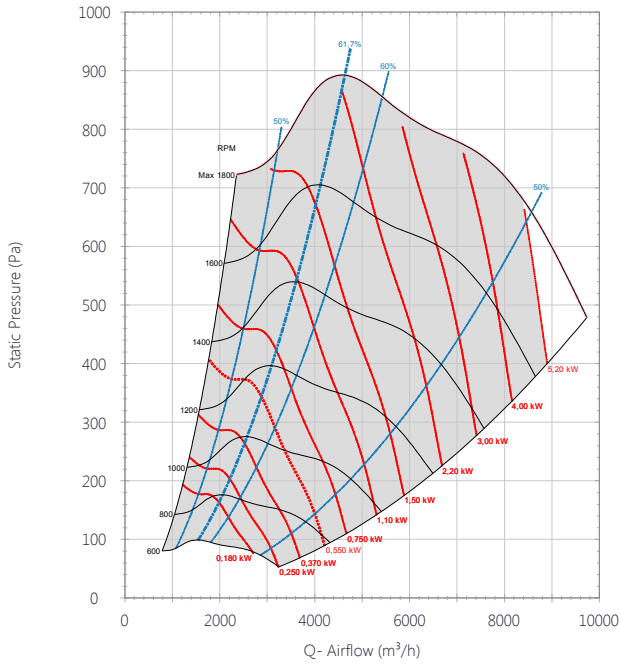


# CBP-SM

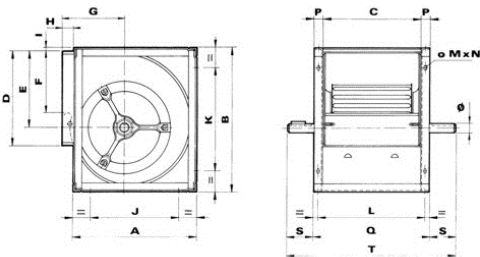
CBP-RC 10/10 0.55KW/4 1300RPM 3-230/400V-50HZ IE1



## Performance Chart



## Drawing



A	B	C	D	E	F	G	H	I
393	453	333	289	247	213	201	38	6

J	K	L	M	N	P	Q	S	T
313	373	353	16	8.5	20	373	70	513

DE

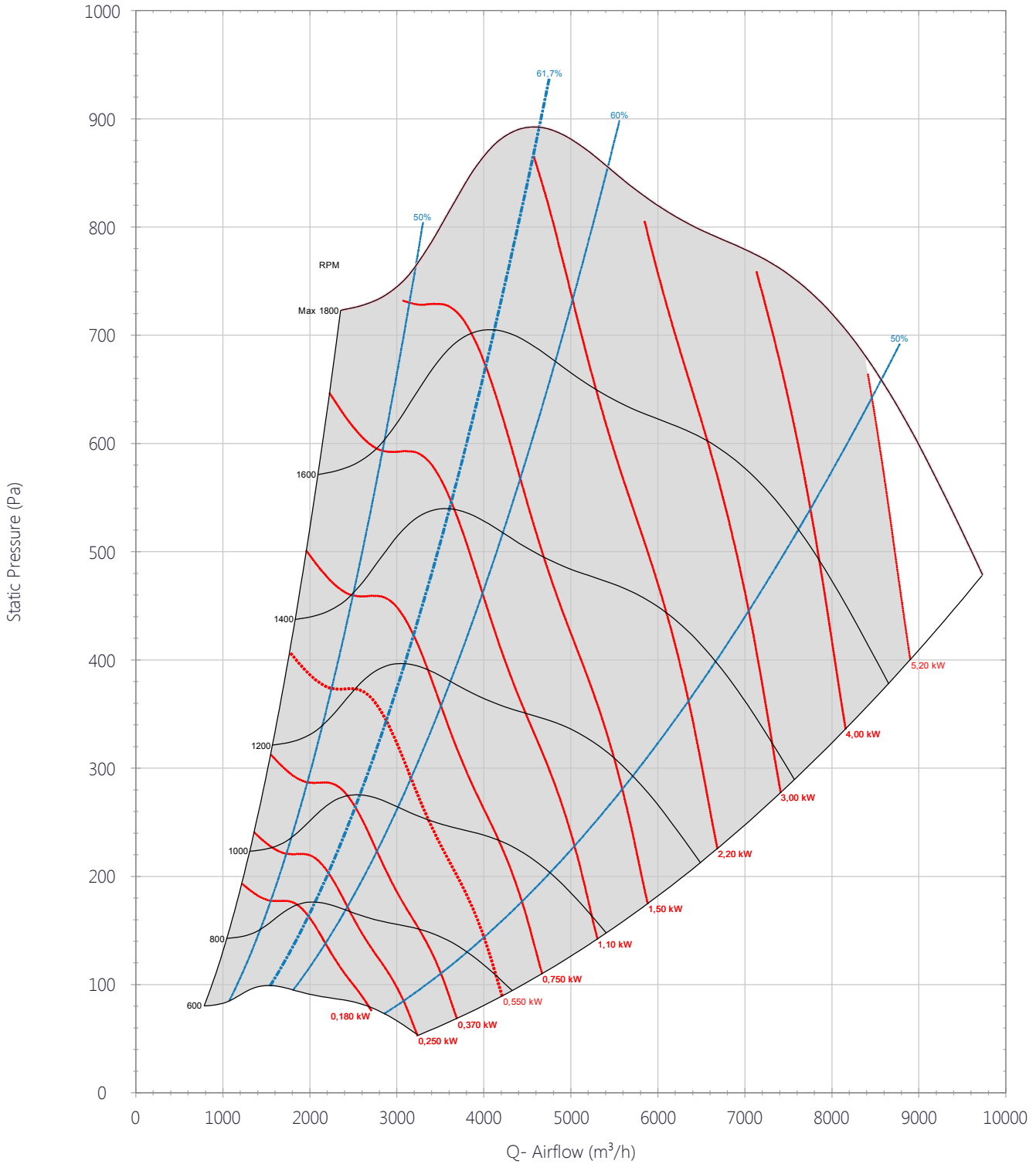
20



# CBP-SM

CBP-RC 10/10 0.55KW/4 1300RPM 3-230/400V-50HZ IE1

## Performance Chart

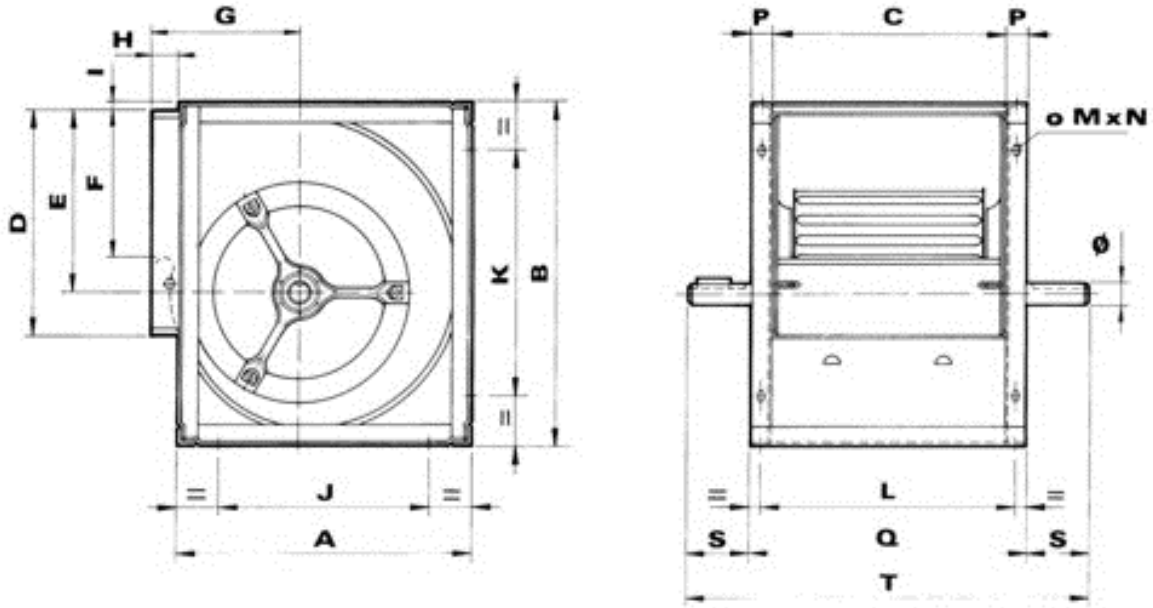




# CBP-SM

CBP-RC 10/10 0.55KW/4 1300RPM 3-230/400V-50HZ IE1

## Drawing



A	B	C	D	E	F	G	H	I	J	K	L	M	N	P	Q	S	T	DE
393	453	333	289	247	213	201	38	6	313	373	353	16	8.5	20	373	70	513	20



# CBP-SM

CBP-RC 10/10 0.55KW/4 1300RPM 3-230/400V-50HZ IE1



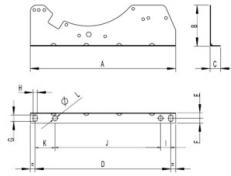
## Accessories

5127234200 - PIE SOPORTE CBP/CBM 10/10

### MOUNTING FEET



#### Dimensions



A	B	C	D	E	F	G	H	I	J	K	L
363	102	26	339	13.5	12.5	16	10.5	37.5	263.5	62	12

5127254000 - SOPORTE MOTOR TENSOR 10/10

### MOTOR BRACKETS



#### Dimensions



A
333



# CBP-SM

CBP-RC 10/10 0.55KW/4 1300RPM 3-230/400V-50HZ IE1

## ErP Data

Maximum efficiency %	30,4
Installation type	D
Category efficiency	Total
N	FMEG37
Variable speed drive	
Year of manufacture	Product Rating Plate
Manufacturer's Info	S&P
Product code	SPTR000027
Input power at optimum efficiency point (kW)	0,862
Airflow at optimum efficiency point [m3/h]	2.251
Pressure at optimum efficiency point [Pa]	419
Speed at optimum efficiency point	1300
Specific Ratio	1
Recycling/disposal	Instruction Manual
Maintenance	Instruction Manual
Additional components	Catalogue and according to ISO 5801