



# CBP-SM

CBP-RC 18/18 0.75kW/4 300RPM 3-230/400V-50HZ IE3

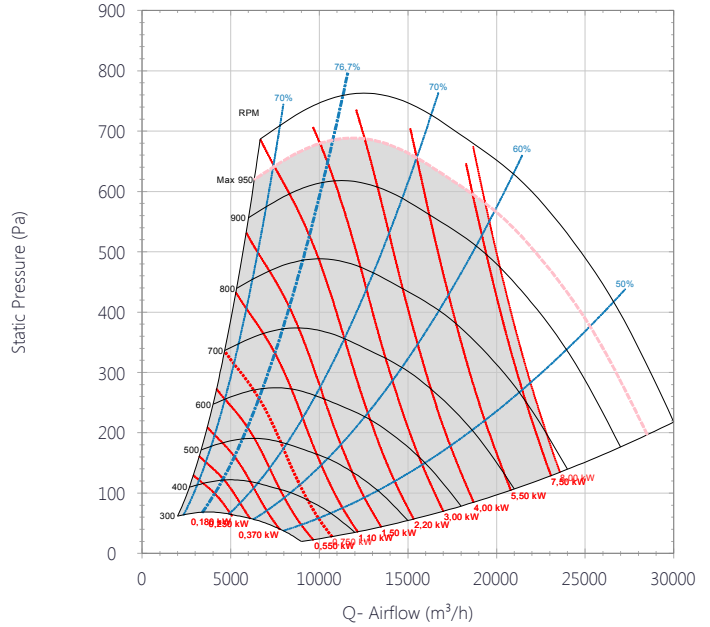


Double inlet centrifugal fan , forward curved brand Soler\_Palau model CBP-RC 18/18 0.75kW/4 300rpm 3-230/400V-50Hz IE3 .

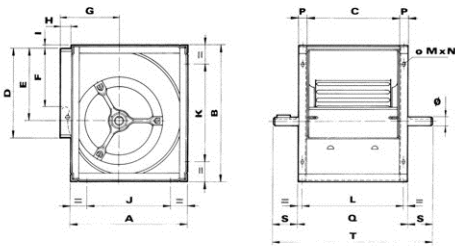
## Theoretical Working Point

Airflow	-
Static Pressure	0,000 Pa
Temperature	20 °C
Altitude	0 m
Density	1,2 kg/m <sup>3</sup>
Frequency	50 Hz

## Performance Chart



## Drawing



A	B	C	D	E	F	G	H	I
656	752	558	479	418	290	314	38	6
J	K	L	M	N	P	Q	S	T
544	642	596	18	11	40	638	78	792

DE

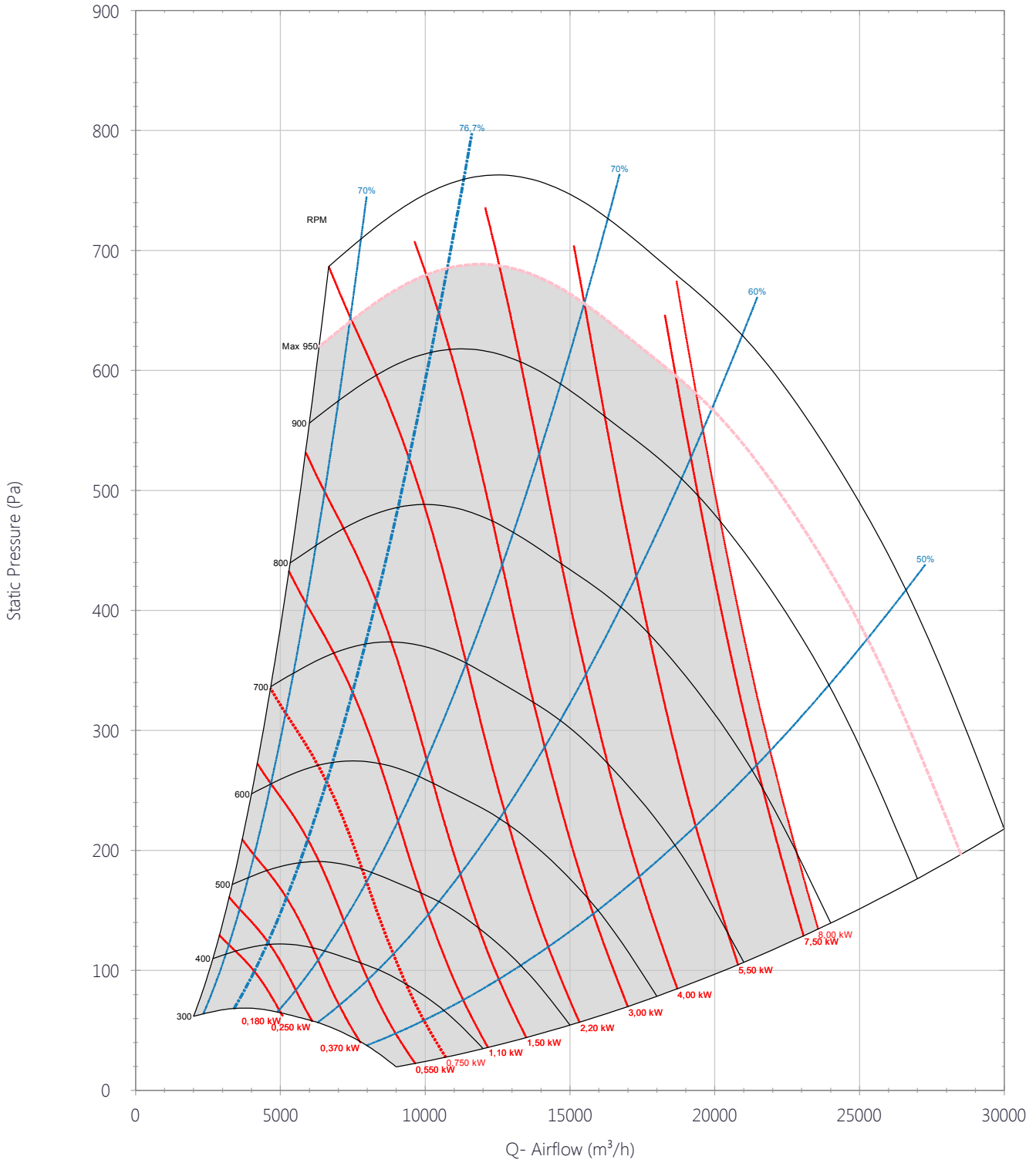
25



# CBP-SM

CBP-RC 18/18 0.75KW/4 300RPM 3-230/400V-50HZ IE3

## Performance Chart

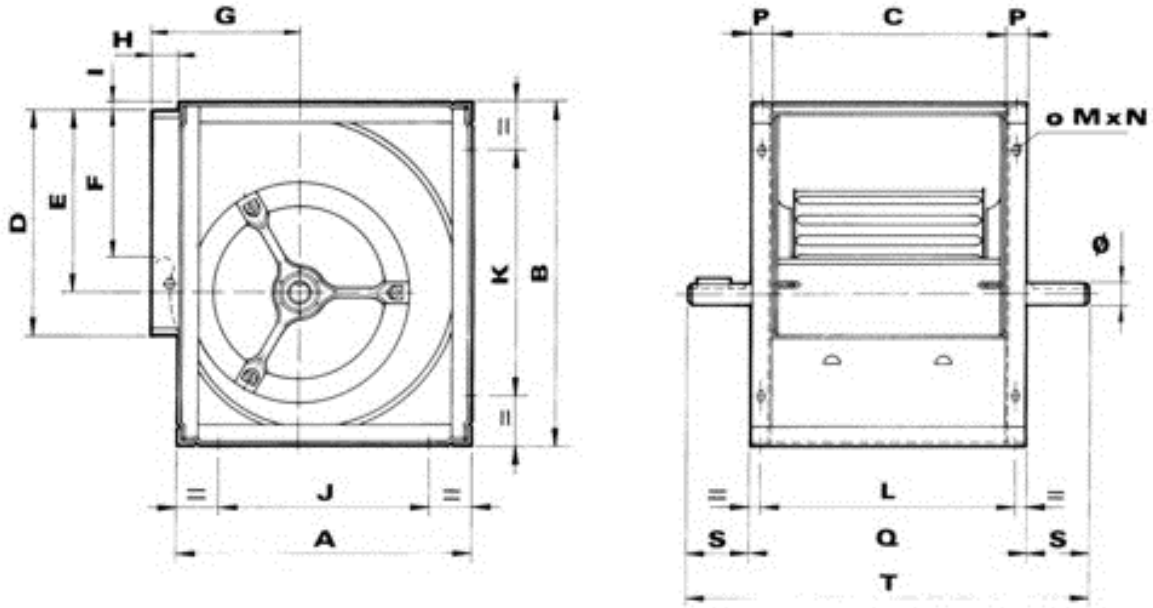




# CBP-SM

CBP-RC 18/18 0.75KW/4 300RPM 3-230/400V-50HZ IE3

## Drawing



A	B	C	D	E	F	G	H	I	J	K	L	M	N	P	Q	S	T	DE
656	752	558	479	418	290	314	38	6	544	642	596	18	11	40	638	78	792	25



# CBP-SM

CBP-RC 18/18 0.75KW/4 300RPM 3-230/400V-50HZ IE3



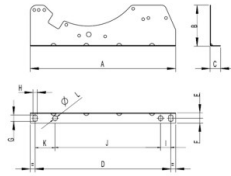
## Accessories

5127204500 - PIE SOPORTE CBP/CBM 18/18

### MOUNTING FEET



#### Dimensions



A	B	C	D	E	F	G	H	I	J	K	L
635	186	26	608	13.5	12.5	16	10.5	-	-	-	-

5127216900 - SOPORTE MOTOR TENSOR 18/18

### MOTOR BRACKETS



#### Dimensions



A
556



# CBP-SM

CBP-RC 18/18 0.75KW/4 300RPM 3-230/400V-50HZ IE3



## ErP Data

Maximum efficiency %]	39,2
Installation type	D
Category efficiency	Total
N	FMEG50
Variable speed drive	
Year of manufacture	Product Rating Plate
Manufacturer's Info	S&P
Product code	SP159703SCO15V0
Input power at optimum efficiency point (kW)	0,186
Airflow at optimum efficiency point [m3/h]	3.448
Pressure at optimum efficiency point [Pa]	76
Speed at optimum efficiency point	300
Specific Ratio	1
Recycling/disposal	Instruction Manual
Maintenance	Instruction Manual
Additional components	Catalogue and according to ISO 5801