



CHVB/CHVT

5148139200 - CHVB/4-3000/315 0,27KW 230V50 VE - ACOUSTIC CABINET FANS



Cabinet fan for air stream temperature up to 120°C. Certified F400 120 for smoke extraction in fire conditions. Manufactured from galvanised sheet steel, with double panel (sandwich type) internally lined with 25 mm thickness fireproof fibre-glass acoustic insulation (M0). Direct drive backward curved centrifugal impeller with motor fitted outside of the air stream. Motors are single phase or three phase IP55 with thermal protection. S&P model CHVB/4-3000/315 0,27KW 230V50 VE

5148139200 - CHVB/4-3000/315 0,27KW 230V50 VE

Theoretical Working Point

Airflow	-
Static Pressure	0,000 Pa
Temperature	20 °C
Altitude	0 m
Density	1,2 kg/m ³
Frequency	50 Hz

Construction

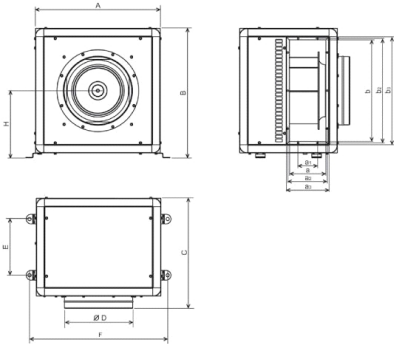
Discharge diameter	315 mm
Fan size	315
Weight	46,00 kg

Motor Characteristics

Number of poles	4
Voltage	1-230V-50Hz
Maximum absorbed current	1,3 A
IP Rating	IP55

Motor insulation class

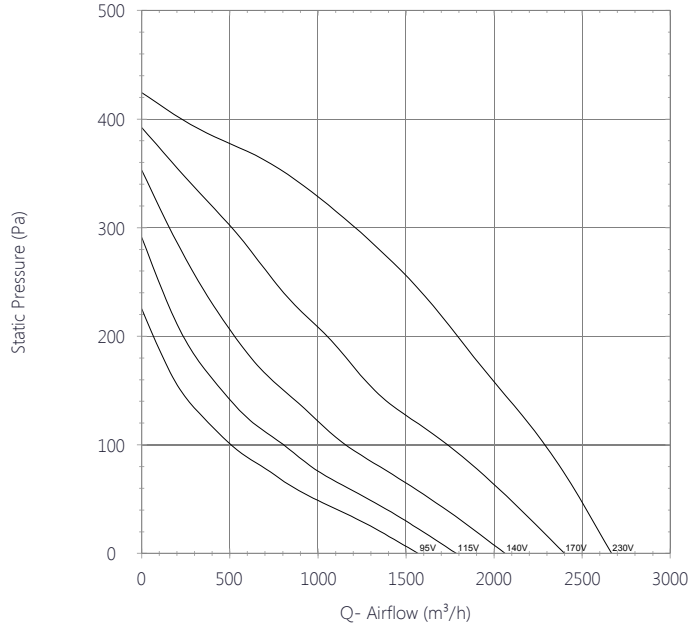
Drawing



A	B	C	D	E	F	H	a	a1
548	573	527	315	247	618	299	149	118

a2	a3	b	b2	b3
162	183	429	441	463

Performance Chart



Sound Performance

	63	125	250	500	1k	2k	4k	8k	Overall
Inlet (LwA)	44	63	67	67	69	68	63	60	75
Inlet LpA @ 1m	33	52	56	56	58	57	52	49	64
Outlet (LwA)	42	62	67	68	69	69	63	60	75
Outlet LpA @ 1m	31	51	56	57	58	58	52	49	64
Breakout (LwA)	37	56	60	55	55	55	54	48	64
Breakout LpA @ 1m	26	45	49	44	44	44	43	37	53



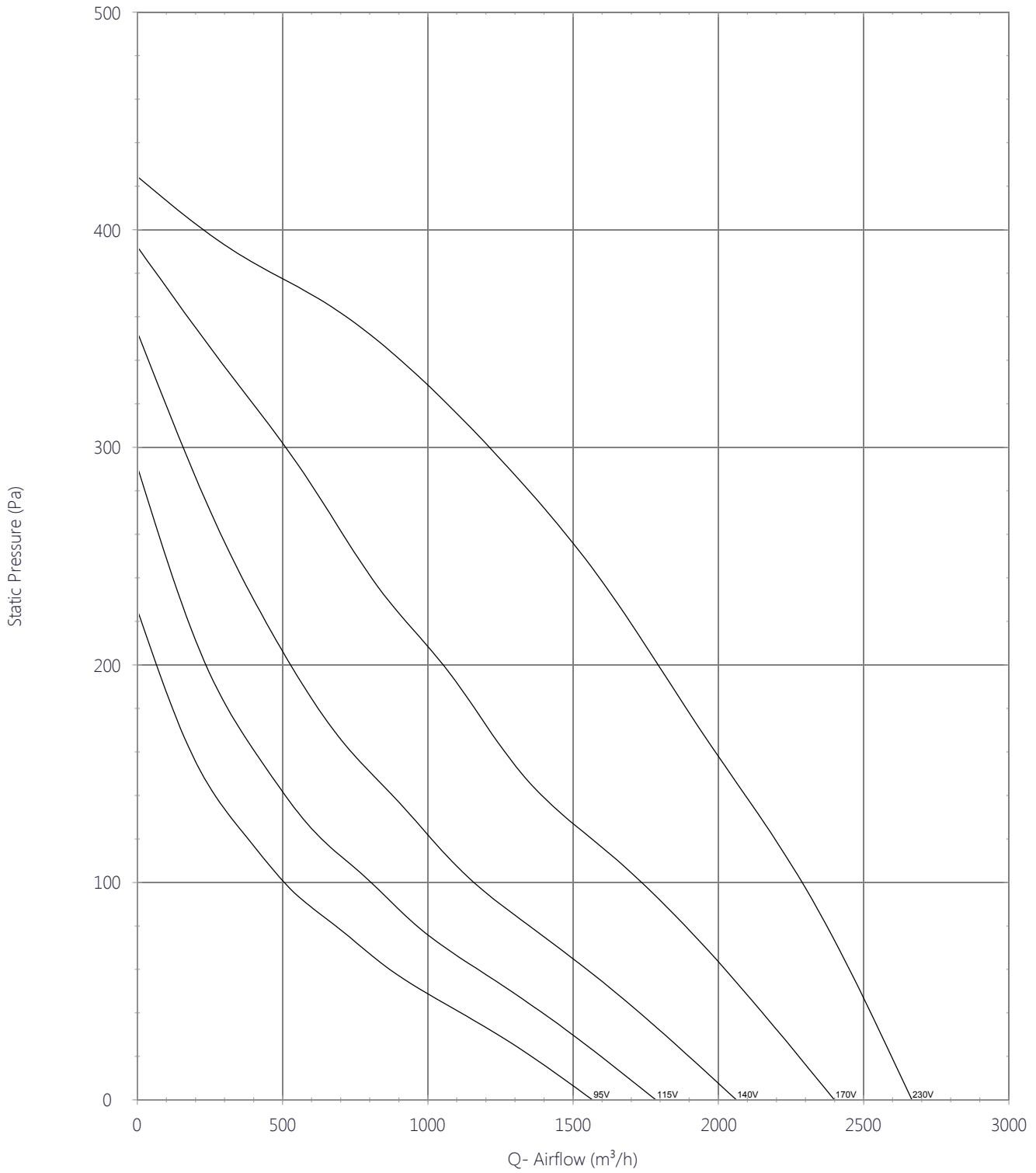


CHVB/CHVT

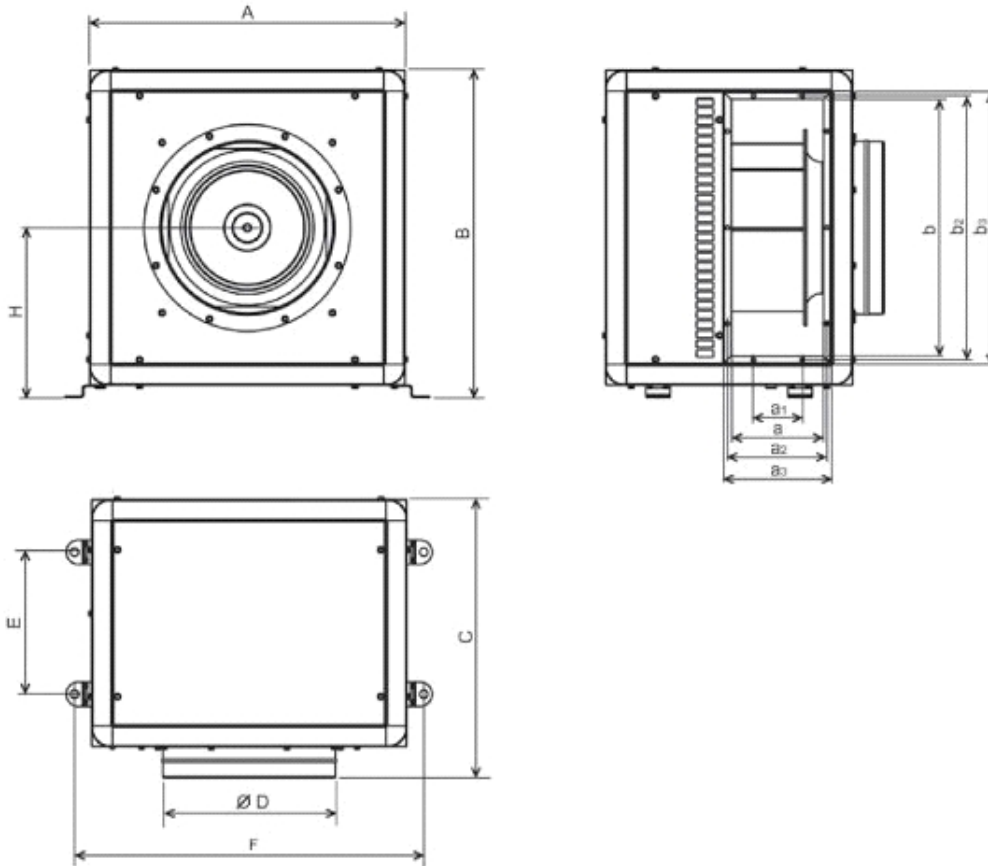
5148139200 - CHVB/4-3000/315 0,27KW 230V50 VE - ACOUSTIC CABINET FANS



Performance Chart



Drawing



A	B	C	D	E	F	H	a	a1	a2	a3	b	b2	b3
548	573	527	315	247	618	299	149	118	162	183	429	441	463



CHVB/CHVT

5148139200 - CHVB/4-3000/315 0,27KW 230V50 VE - ACOUSTIC CABINET FANS

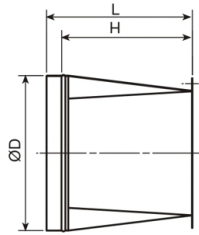
Accessories

5416740700 - FD-3000



DISCHARGE FLANGE

Dimensions



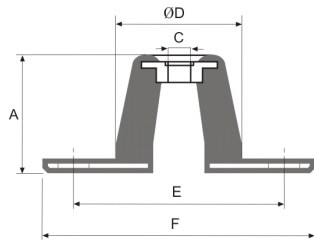
D	L	H
315	450	400

5130861700 - KSE-45

Rubber anti-vibration mounts that absorb vibration and attenuate the noise produced in the installation. (1 KSE = 4 supports in a bag)



Dimensions



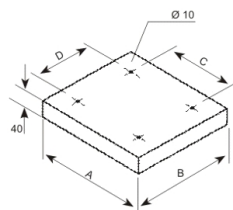
A	C	D	E	F
24	8	30	65	90

5416763100 - CTI CHV-3000



PITCHED ROOF COWL

Dimensions



A	B	C	D
575	490	358	343



CHVB/CHVT

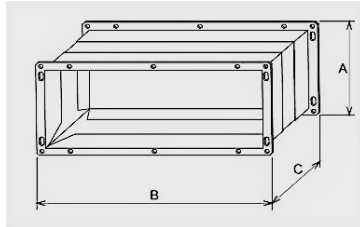
5148139200 - CHVB/4-3000/315 0,27KW 230V50 VE - ACOUSTIC CABINET FANS

5402032800 - ACOP RECT F400-3000



RECTANGULAR FLEXIBLE CONNECTOR

Dimensions



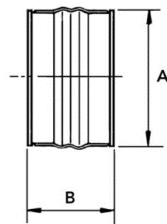
A	B	C
180	459	143

5138920900 - ACOPEL F400-315/160 N

FLEXIBLE CONNECTOR



Dimensions



A	B
323	160



CHVB/CHVT

5148139200 - CHVB/4-3000/315 0,27KW 230V50 VE - ACOUSTIC CABINET FANS

Sound Performance

	63	125	250	500	1k	2k	4k	8k	Overall
Inlet (LwA)	44	63	67	67	69	68	63	60	75
Inlet LpA @ 1m	33	52	56	56	58	57	52	49	64
Outlet (LwA)	42	62	67	68	69	69	63	60	75
Outlet LpA @ 1m	31	51	56	57	58	58	52	49	64
Breakout (LwA)	37	56	60	55	55	55	54	48	64
Breakout LpA @ 1m	26	45	49	44	44	44	43	37	53



Q=1