



CRBB/CRBT-EC

5509315200 - CRBB/3-190/060M EC 1H0 (230V50/60HZ) VE - EXTERNAL ROTOR MOTOR RADIAL FANS



Direct driven Single inlet radial fan with single phase IP44 EC external rotor motor running at 1-230V-50Hz. Impeller made of plastic. Fan speed adjustable trough 0-10V input.
Brand S&P model CRBB/3-190/060M_EC_1H0.

Theoretical Working Point

Airflow	-
Static Pressure	0,000 N/m ²
Temperature	20 °C
Altitude	0 m
Density	1,2 kg/m ³
Frequency	50/60 Hz

Construction

Fan size	190/060
Minimum temperature	-20°C
Maximum temperature	60°C

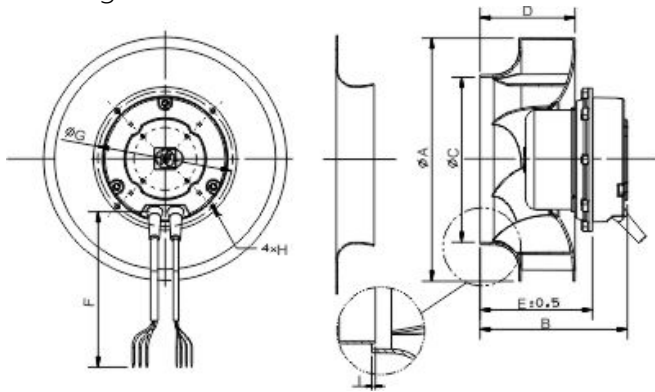
Motor Characteristics

Number of poles	-
Maximum Input power	0,09 kW
Maximum absorbed current	0,6 A
Voltage	1-230V-50Hz
IP Rating	IP44
Motor insulation class	B

Working Point

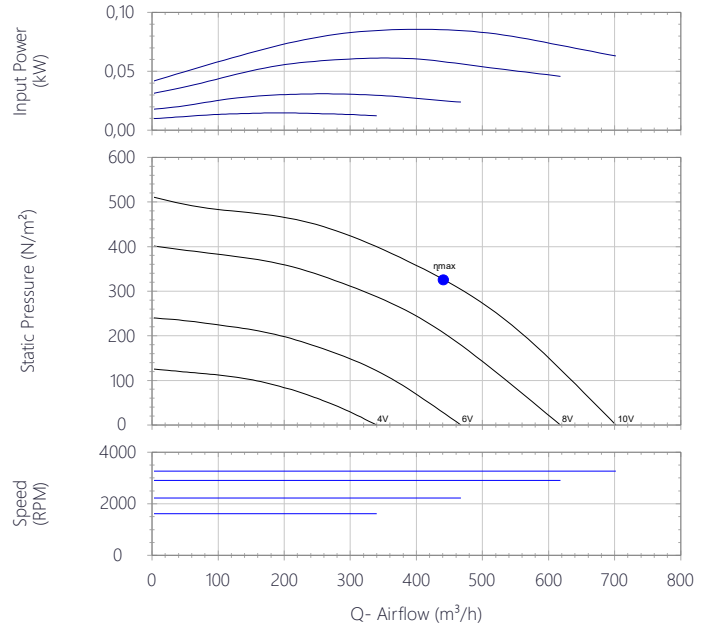
Airflow	-
Static Pressure	-
Dynamic pressure	-
Total Pressure	-
Input power	-
Fan speed	3266
Specific Fan Power	-

Drawing



B	C	D	E	F	G	H (M4)	I
72	132	62.2	98	550	105		2

Performance Chart

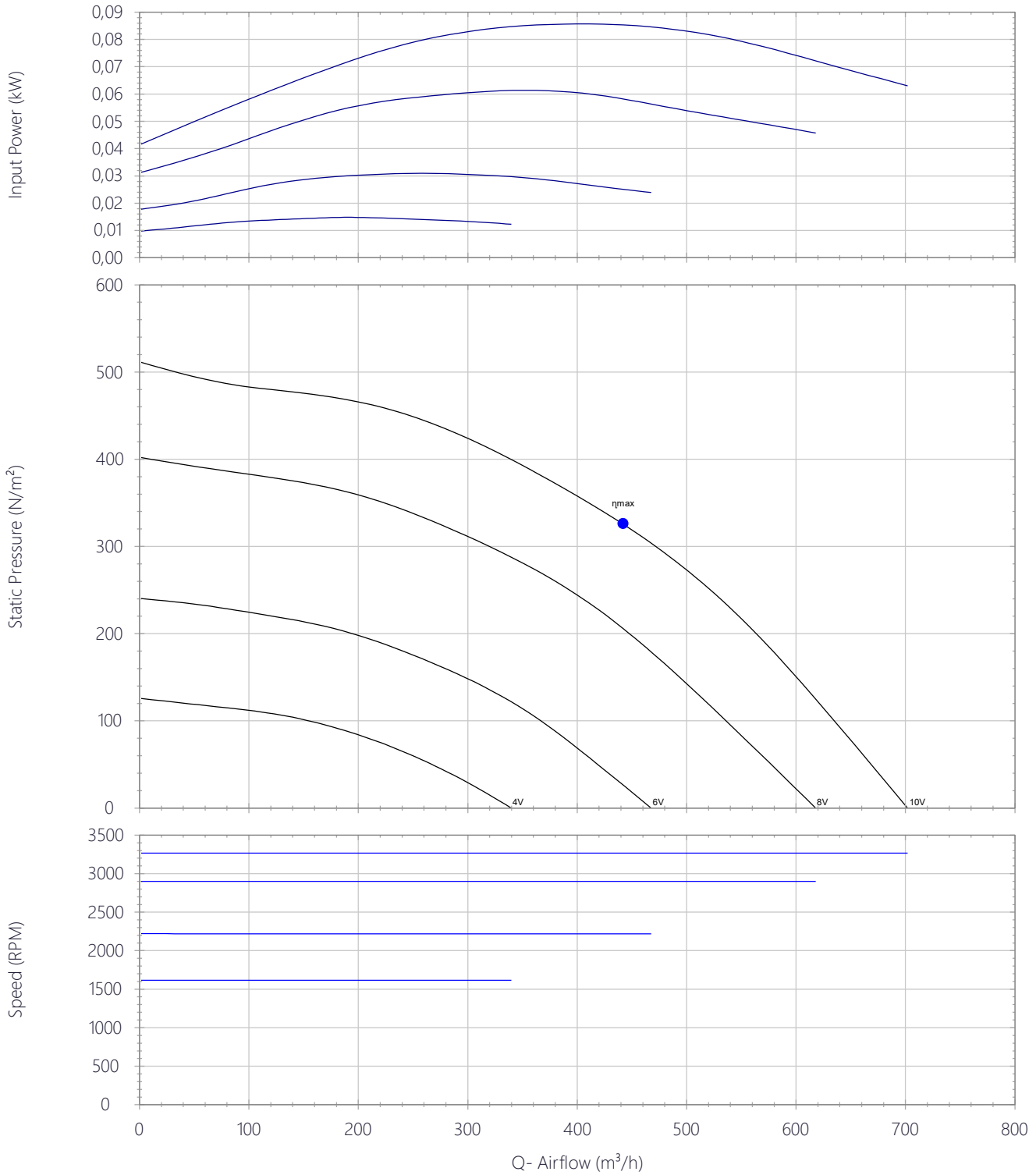




CRBB/CRBT-EC

5509315200 - CRBB/3-190/060M EC 1H0 (230V50/60HZ) VE - EXTERNAL ROTOR MOTOR RADIAL FANS

Performance Chart

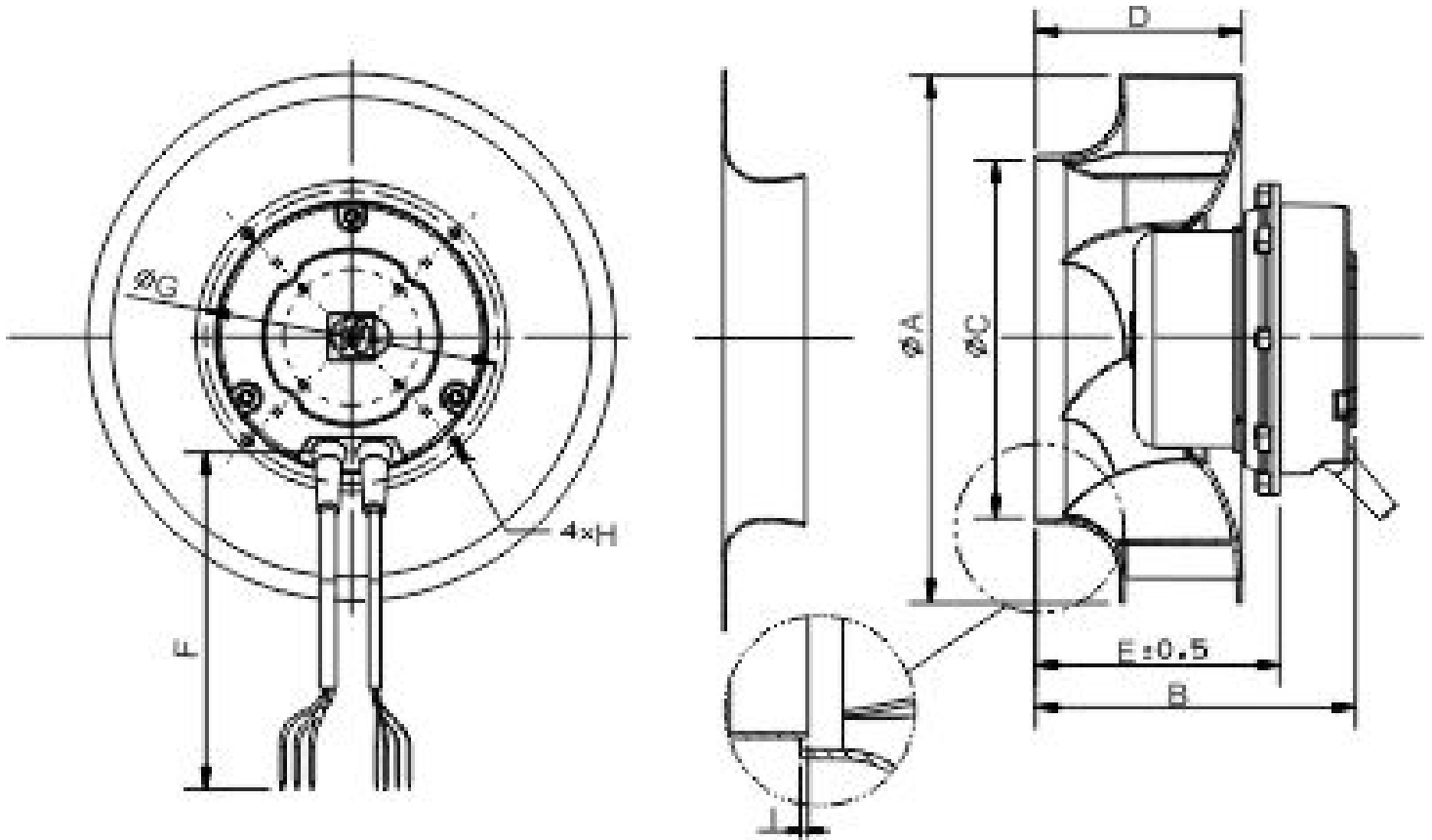




CRBB/CRBT-EC

5509315200 - CRBB/3-190/060M EC 1H0 (230V50/60HZ) VE - EXTERNAL ROTOR MOTOR RADIAL FANS

Drawing



B	C	D	E	F	G	H (M4)	I
72	132	62.2	98	550	105		2



CRBB/CRBT-EC

5509315200 - CRBB/3-190/060M EC 1H0 (230V50/60HZ) VE - EXTERNAL ROTOR MOTOR RADIAL FANS



ErP Data

Maximum efficiency %]	46,8
Installation type	A
Category efficiency	Static
N	N76,1
Variable speed drive	+
Year of manufacture	Product Rating Plate
Manufacturer's Info	S&P
Product code	5509315200
Input power at optimum efficiency point (kW)	0,085
Airflow at optimum efficiency point [m3/h]	442
Pressure at optimum efficiency point [Pa]	325
Speed at optimum efficiency point	3266
Specific Ratio	1
Recycling/disposal	Instruction Manual
Maintenance	Instruction Manual
Additional components	Catalogue and according to ISO 5801