

# CIRCLE 100/125

ROUND DIFFUSER

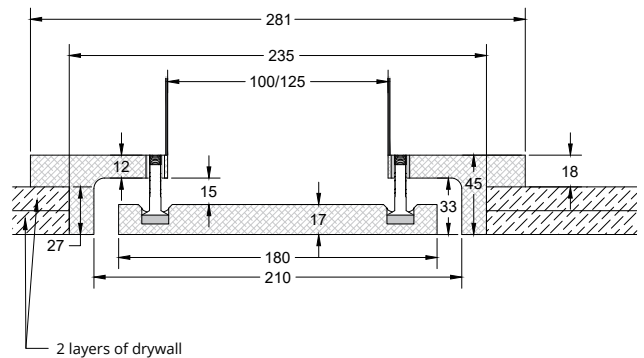
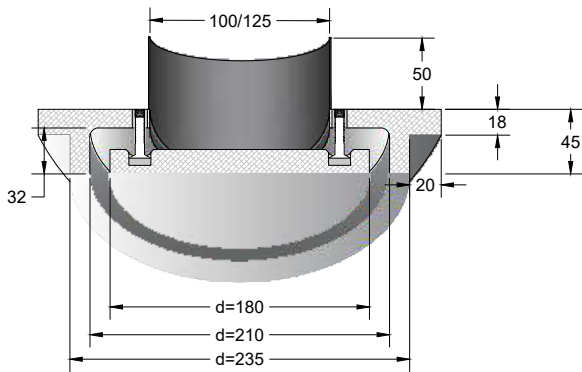


100/125 mm

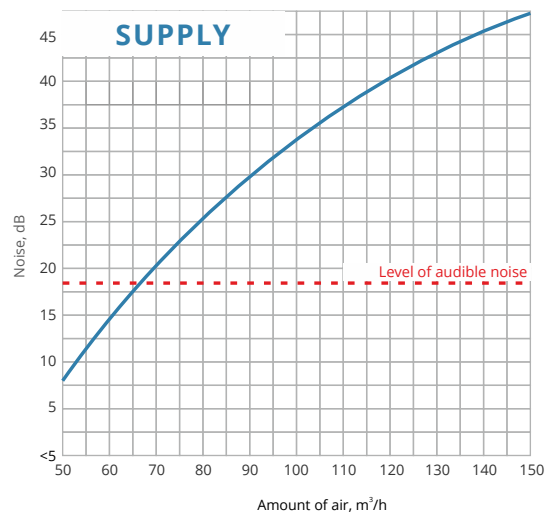
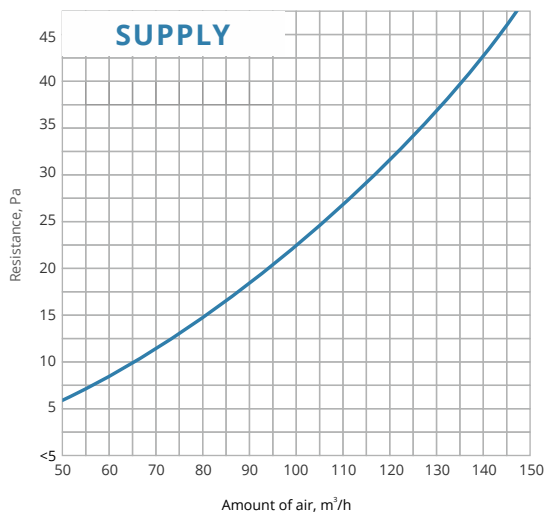
DIAMETER OF COUPLING SLEEVE

2.60 kg

WEIGHT WITHOUT PACKAGING (NET)

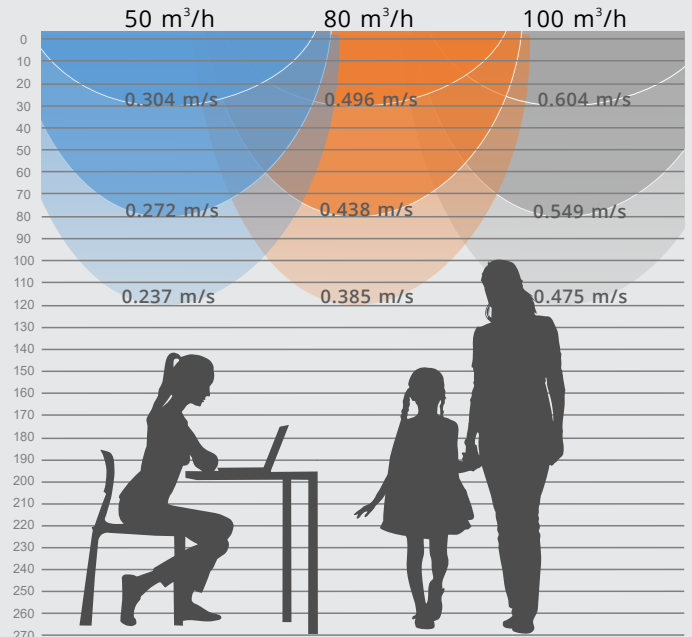


## Airborne noise and resistance, 1 m.



Our CIRCLE diffuser can be used in rooms of many different sizes, both for air supply and air extraction.

## SENSIBLE AIRFLOW



Airflow with Ventmann CIRCLE diffuser at a height of 2.70 m

## Air velocity at distance from diffuser

