

# ELM 20 Ex



## Short description

Flexible cuff with 2 tensioning straps, DN 200, suitable for use in areas subject to explosion hazards

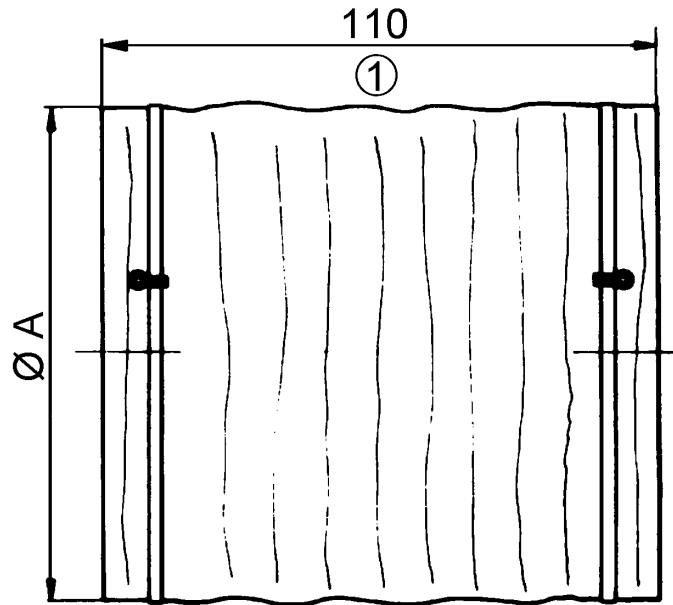
Article number 0092.0248

## Technical data

Material	Synthetic material, antistatic
Colour	Black
Weight	0,1 kg
Weight including packaging	0,11 kg
Suitable for nominal size	200 mm
Width	200 mm
Height	200 mm
Depth	110 mm
Width with packaging	210 mm
Height with packaging	30 mm
Depth with packaging	115 mm
Ambient temperature	50 °C
Ex version	antistatic
Packing unit	1 piece
Range	C
GTIN (EAN)	4012799922483

# ELM 20 Ex

Dimensioned drawing [mm]



A  
200

① Extended length