

ELM 25 Ex



Short description

Flexible cuff with 2 tensioning straps, DN 250, suitable for use in areas subject to explosion hazards

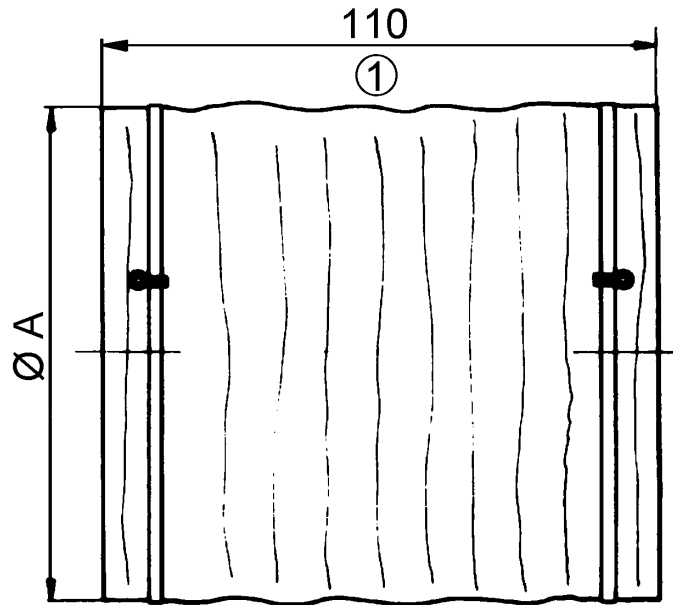
Article number 0092.0249

Technical data

Material	Synthetic material, antistatic
Colour	Black
Weight	0,1 kg
Weight including packaging	0,13 kg
Suitable for nominal size	250 mm
Width	250 mm
Height	250 mm
Depth	110 mm
Width with packaging	115 mm
Height with packaging	30 mm
Depth with packaging	200 mm
Ambient temperature	50 °C
Ex version	antistatic
Packing unit	1 piece
Range	C
GTIN (EAN)	4012799922490

ELM 25 Ex

Dimensioned drawing [mm]



A
250

① Extended length