

CENTRIFUGAL FANS

EBB-N Series

**NEW:
EBB-100 N**

The EBB-N extractor fans are suitable for many domestic and commercial ventilation applications where higher system resistance pressures are encountered. The range comprise of three models, EBB-100N, EBB-170N and EBB-250N, each available in different versions. The EBB-N models incorporate powerful forward curved centrifugal impeller with 2-speed single phase 230V50Hz, 4-pole (EBB-170N and 250N) or 2-pole motor (EBB-100N).



EBB-170N
EBB-250N



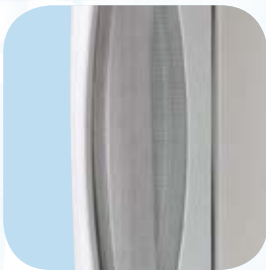
EBB-100N

- “S” version: Standard models.
- “T” version: Models with adjustable run-on-timer.
- “HT” version: Models with internal humidistat and adjustable run-on-timer.

**2
SPEEDS**



Filters



Two metal filters (inox formo-
dels 170 and 250) that keep out
dust and dirt in the exhaust

Back draft shutter



The EBB-N are fitted with an
automatic back draft shutter to
prevent air entry and limit heat
leakage when the extractor is
not operating

Forward curved centrifugal impeller



To deliver high airflow
performances with a minimum
of noise generation against high
static pressure system resistance



Examples of installation

Extract ventilation through the wall or ceiling

Duct extract ventilation

Shunt duct extract ventilation system

Double wall or telescopic duct extract ventilation

Surface

Built-in

CENTRIFUGAL FANS

EBB-100 N

NEW

2 SPEEDS



2 Back draft shutter



Ø80



Ø100

2 back draft shutter of Ø80 and Ø100 mm

Technical characteristics

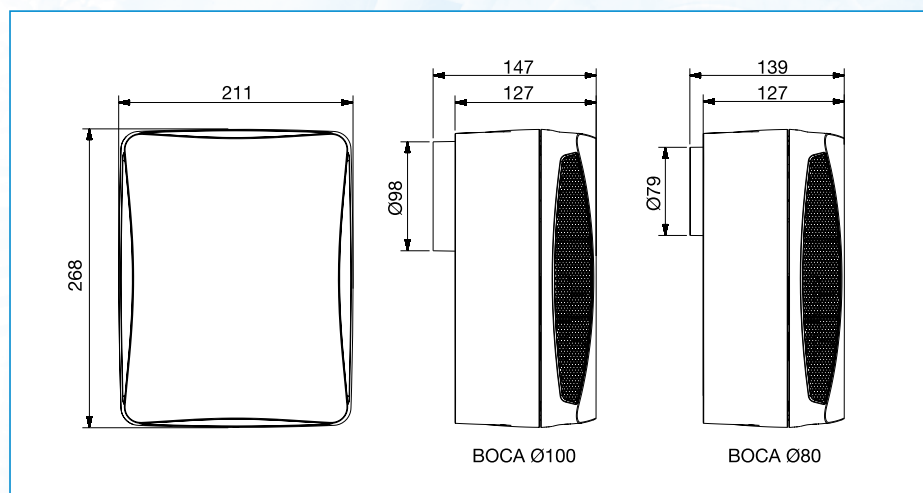
Model	Speed (r.p.m.)	Abs. power at free discharge (W)	Voltage (V) 50 Hz	Airflow at free discharge (m³/h)	Sound pressure level (dB(A))*	Weight (kg)	IP
EBB-100 N	HS 1600	35	230	130	46	1,8	□ IP44
	LS 1050	15		75	34		

* At a distance of 1,5 m.

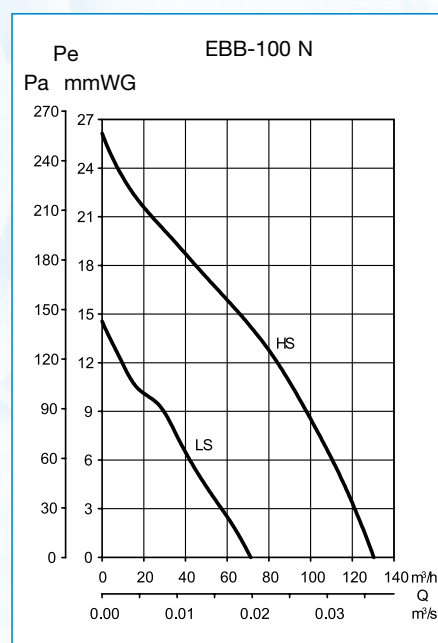
Features

	S	T	HT
Backdraft shutter	•	•	•
Metal filters	•	•	•
Two speed	•	•	•
Adjustable Run-On-Timer		•	•
Internal humidistat			•

Dimensiones (mm)



Curvas características



Accessories



REB
Single phase electronic speed controllers



GSA-100
Flexible aluminium ducting



MRT-100
Circular duct joining piece



GRA-70
Aluminium external grille



CX-80/125
Worm drive ducting clip



REGUL-2
Two speed switch

CENTRIFUGAL FANS

EBB-170 N / EBB-250 N

2 SPEEDS

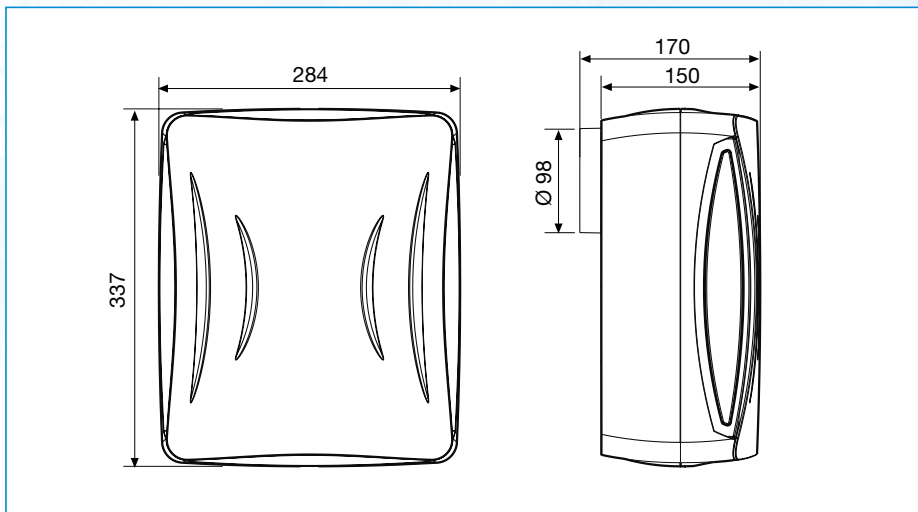


Technical characteristics

Model	Speed (r.p.m.)	Abs. power at free discharge (W)	Voltage (V) 50 Hz	Airflow at free discharge (m³/h)	Sound pressure level (dB(A))*	Weight (kg)	IP
EBB-170 N	1010	48	230	220	42	3	IP44
EBB-250 N	1225	51	230	270	46	3	IP44

* At a distance of 1,5 m.

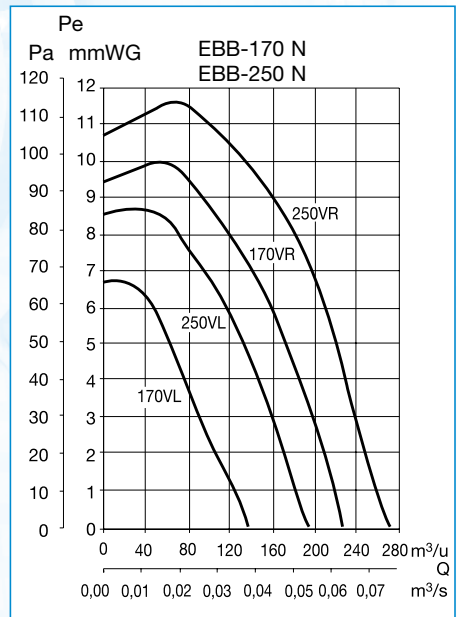
Dimensions (mm)



Features

	S	T	HT
Backdraft shutter	•	•	•
Metal filters	•	•	•
Two speed	•	•	•
Adjustable Run-On-Timer		•	•
Internal humidistat			•

Performance curves



Accessories



REB
Single phase electronic speed controllers



GSA-100
Flexible aluminium ducting



MRT-100
Circular duct joining piece



GRA-70
Aluminium external grille



CX-80/125
Worm drive ducting clip



REGUL-2
Two speed switch

