



EDM

5210035100 - EDM-80 N (230V 50) RE



Axial extractor with IP44, class II, with thermal protection, to work at temperatures up to 40°C, to connect at 230V.

Theoretical Working Point

Airflow	-
Static Pressure	0,000 N/m ²
Temperature	20 °C
Altitude	0 m
Density	1,2 kg/m ³
Frequency	50 Hz

Construction

Discharge diameter	94 mm
Fan size	80 N
Weight	0,40 kg

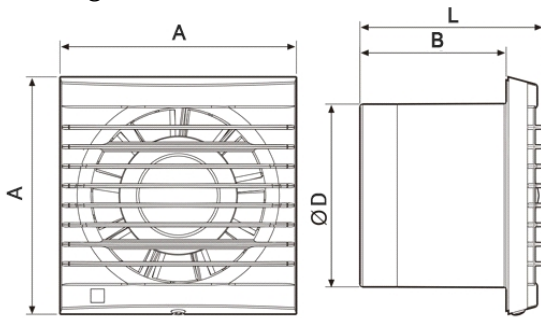
Motor Characteristics

Voltage	1-230V-50Hz
Maximum absorbed current	0,04 A
IP Rating	IP44
Motor insulation class	B

Working Point

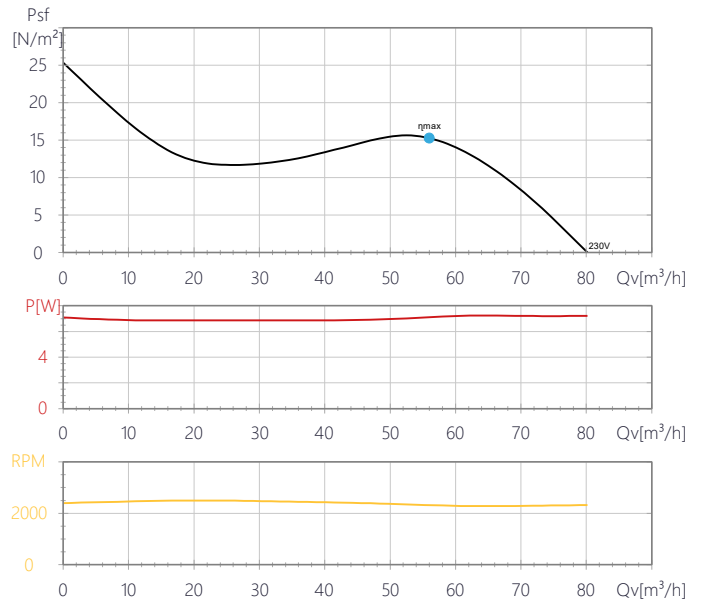
Fan speed	2494
-----------	------

Drawing



A	B	D	L
121.5	75	93.6	94

Performance Chart

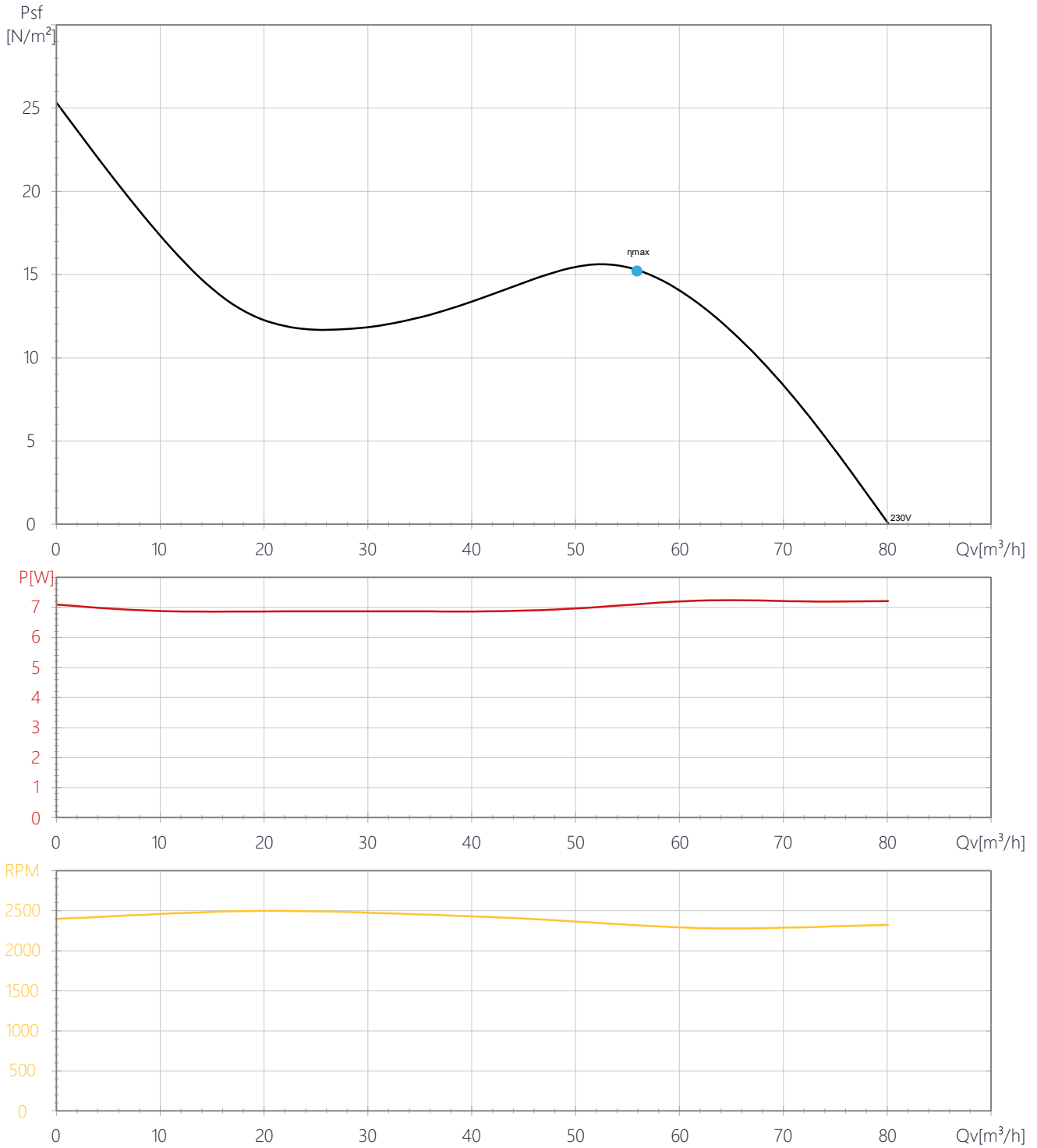




EDM

5210035100 - EDM-80 N (230V 50) RE

Performance Chart

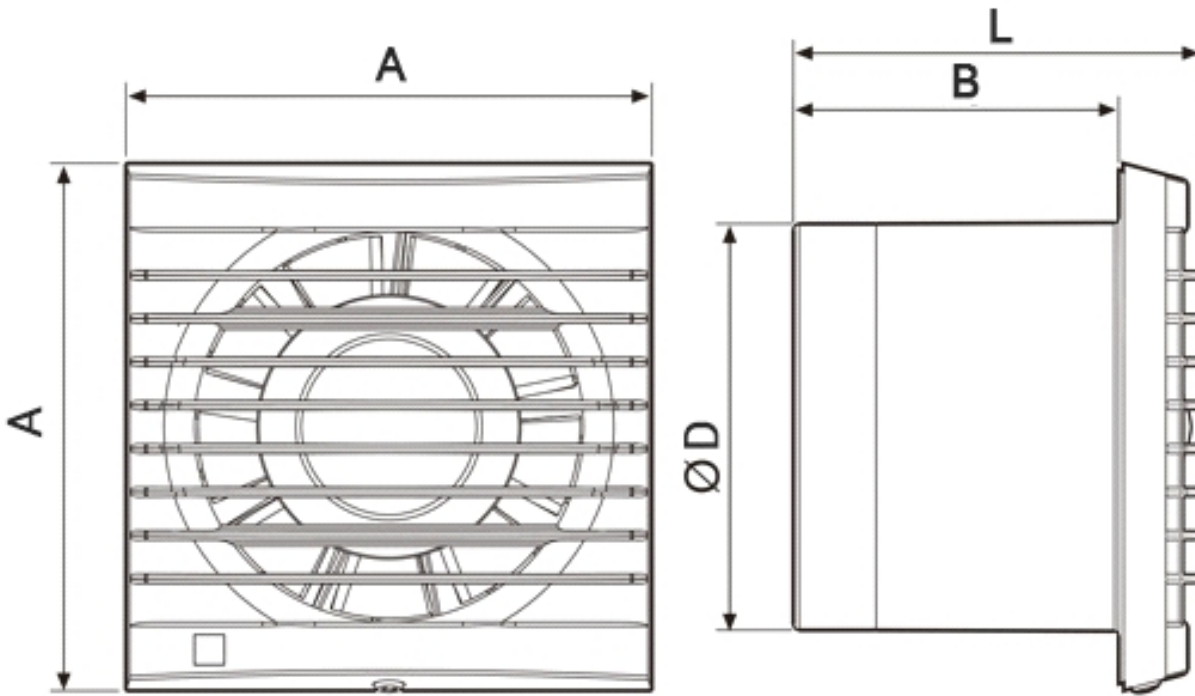




EDM

5210035100 - EDM-80 N (230V 50) RE

Drawing



A	B	D	L
121.5	75	93.6	94