

From 250 up to 525 models.



From 630 up to 1000 models.

DEF-D

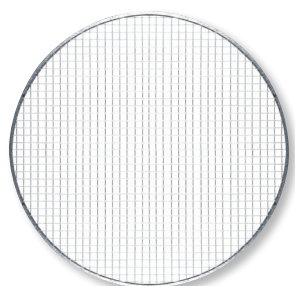
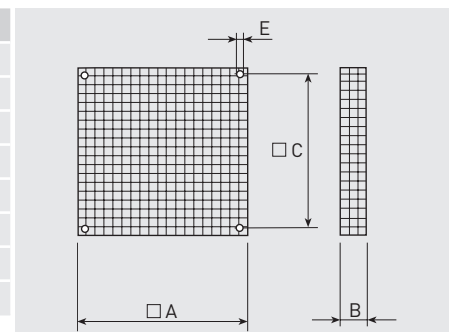
Square discharge wire protection guards. Protection guard to prevent any contact with the fan impeller.

Model	Ø A	B	Ø C	Ø E
DEF-250 D	332	64	286	8
DEF-325 D	397	64	351	8
DEF-375 D	449	64	403	8
DEF-450 D	501	64	455	8
DEF-525 D	553	64	507	8
DEF-630 D	808	150	735	8
DEF-800 D	1008	140	935	8
DEF-1000 D	1258	155	1185	8

Wire mesh hole size (mm):

10,6 x 10,6 (from 250 models to 525)

25 x 25 (from 630 models to 1000)



DEF-T

Inlet/outlet guard protection grille to be mounted to the S&P COMPACT cased axial fans.

Model	A	B	ØD	Number of holes
Guard protection grille DEF-T (inlet / outlet side)				
DEF-250 T	312	1,2	-	-
DEF-315 T	380	3	-	-
DEF-355 T	420	3	-	-
DEF-400 T	475	3	-	-
DEF-450 T	525	3	-	-
DEF-500 T	595	3	-	-
DEF-560 T	655	3	-	-
DEF-630 T	725	3	-	-

Guard protection grille DEF-T ASPIRACION (inlet impeller side)

DEF-710 T ASPIRACION	770	5	12	8
DEF-800 T ASPIRACION	860	5	11	8

Guard protection grille DEF-T DESCARGA (outlet motor side)

DEF-710/H-T DESCARGA	770	5	12	8
DEF-710/L-T DES CARGA	770	5	12	8

Wire mesh hole size (mm):

10,6 x 10,6 (from 250 models to 630)

