

**Compact, explosion-proof solution for ventilation of battery charging and industrial facilities**

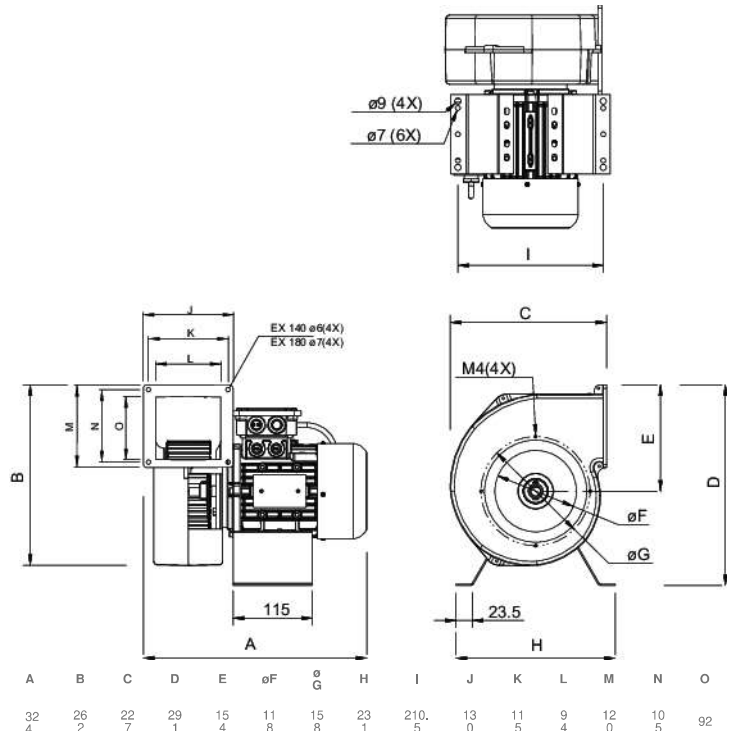
- Explosion proof fan certified according to ATEX 2014/34/EU
- Compact and robust design
- Easy to install in any position (mounting brackets included)

[Find more details in our online catalogue](#)

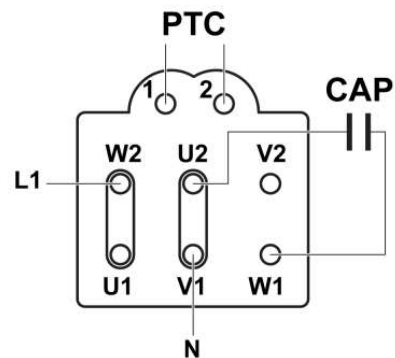
## Technical parameters

Nominal data	
Voltage (nominal)	220 V
Frequency	50 Hz
Phases	1~
Input power	755 W
Input power kW	0.755 kW
Input current	3.4 A
Impeller speed	2,791 rpm
Air flow	max 0.3222 m <sup>3</sup> /s
Temperature of transported air	max 50 °C
Sound data	
Sound pressure level at 3m (20m <sup>2</sup> Sabin)	63 dB(A)
Sound pressure level at 3m (free field)	60 dB(A)
Sound pressure level at 4m (free field)	58 dB(A)
Protection/Classification	
Enclosure class, motor	IP65
Insulation class	F
Explosion proof marking	II 2 G Ex db eb h IIB+H2 T4 Gb
Data according to ErP	
ErP ready	Not ErP relevant
Dimensions and weights	
Weight	10.7 kg
Others	
Motor type	AC

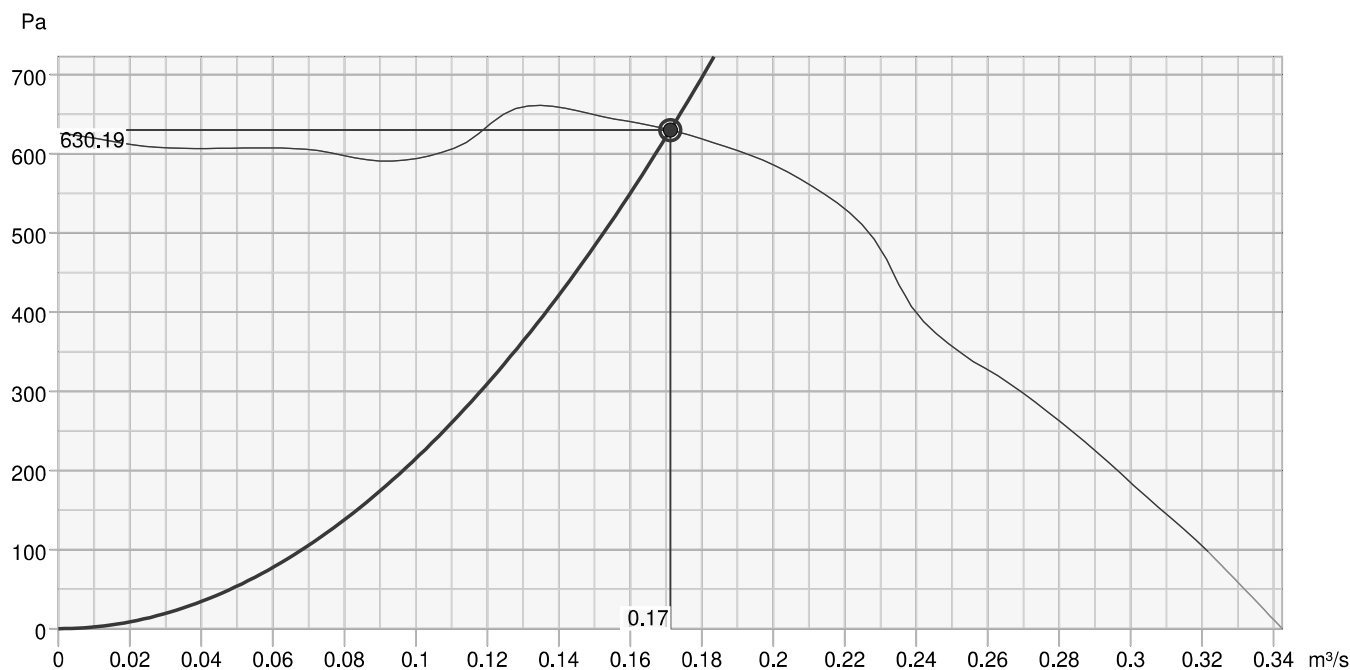
## Dimension



## Wiring



## Performance curve



Hydraulic data										
Required air flow										0.17 m³/s
Required static pressure										630 Pa
Working air flow										0.17 m³/s
Working static pressure										630 Pa
Air density										1.204 kg/m³
Power										350.8 W
Fan control - RPM										2.917 rpm
Current										1.70 A
SFP										2.049 kW/m³/s
Control voltage										220.0 V
Supply voltage										220 V
Sound power level		63	125	250	500	1k	2k	4k	8k	Total
Inlet	dB(A)	65	65	75	70	71	73	65	61	79
Outlet	dB(A)	63	68	73	77	74	74	67	64	81
Surrounding	dB(A)	36	41	46	54	66	66	61	57	70
Sound pressure level at 3m (20m² Sabine)	dB(A)	-	-	-	-	-	-	-	-	63
Sound pressure level at 3m free field	dB(A)	-	-	-	-	-	-	-	-	49

## Accessories

U-EK230E Motor protection (30199)  
 Connection, kit EX140A-125 (135702)  
 Connection, kit EX140A-160 (135703)

## Documents

INSTALLATION\_OPERATION\_AND\_MAINTENANCE\_INSTRUCTION\_EX\_EN\_004\_20241219\_145859528.PDF  
 DNV\_22\_UKQAN\_44923\_EX\_FANS\_20220829.PDF  
 Presafe\_Production Quality\_16 ATEX 8871Q\_issue 2.PDF  
 PRESAFE\_16\_ATEX\_8598X\_ISSUE\_7\_SIGN.PDF