



FLANGED DAMPER

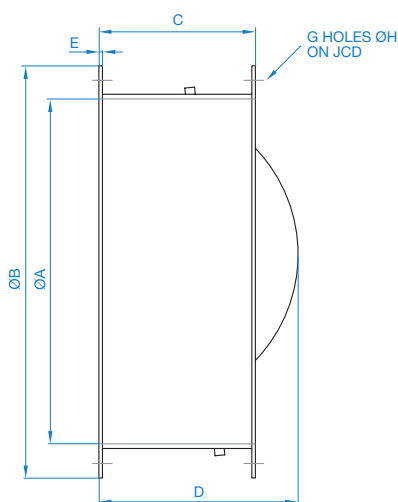
FLANGED DAMPER

Overview



- Prevents reverse flow of air when fan is not operating
- Fixed directly to fan case flange
- Hot dip galvanised steel
- Galvanised steel butterfly type blades
- Suitable for horizontal or vertical (upward airflow) mounting

Product Code	Fan Dia. A	B	C	D	E	G	H	J	Weight kg
019-0250-STD	250	306	170	170	1.6	8	10	280	7.0
019-0315-STD	315	375	180	210	2.0	8	10	355	7.5
019-0355-STD	350	425	185	235	3.0	8	10	395	8.0
019-0400-STD	400	475	220	270	3.0	8	12	450	9.0
019-0450-STD	450	530	220	280	3.0	8	12	500	12.0
019-0500-STD	500	585	220	315	3.0	12	12	560	18.0
019-0560-STD	560	645	220	375	3.0	12	12	620	21.0
019-0630-STD	630	715	250	420	3.0	12	12	690	25.0
019-0710-STD	710	795	250	740	3.0	16	12	770	29.0
019-0800-STD	800	885	300	525	3.0	16	12	860	34.0
019-0900-STD	900	1000	300	590	4.0	16	15	970	59.0
019-1000-STD	1000	1100	420	646	4.0	16	15	1070	85.5



Dimensions are in mm.

Building Services

Tel **+44 (0) 1384 275800**
Fax **+44 (0) 1384 275810**
Email **info@eltafans.co.uk**

46 Third Avenue, Pensnett Trading Estate, Kingswinford,
West Midlands, DY6 7US United Kingdom

Applied Technology & Building Services Export

Tel **+44 (0) 1489 566500**
Fax **+44 (0) 1489 566555**
Email **at@eltafans.co.uk / export@eltafans.co.uk**

17 Barnes Wallis Road, Segensworth East Industrial Estate,
Fareham, Hampshire, PO15 5ST United Kingdom

eltafans.com

019-STD-03-2018 Issue A



BS EN ISO 9001:2015 FM 556465

