



COMPACT HCBB/HCBT ALUMINIUM IMPELLERS

5603255000 - HCBB/4-500/H-A (230V50HZ) V5 - PLATE MOUNTED AXIAL FLOW FANS



Range of low profile plate mounted axial fans fitted with aluminium impellers and single phase motor (HCBB), IP65, Class F insulation, equipped with thermal protection*.

*Except models Ø 800 to 1000.

Motors

Available, depending upon the model, with single or three phase motors in 4 or 6 poles. All motors are speed controllable by autotransformer except models /4-630, B/710, T/4-710, T/800, T/900 and T/1000.

Electrical supplies:

Single phase 230V-50Hz.

(Capacitor located inside the wiring terminal box).

Trade S&P model HCBB/4-500/H-A (230V50HZ) V5

Theoretical Working Point

Airflow	-
Static Pressure	0,000 Pa
Temperature	20 °C
Altitude	0 m
Density	1,2 kg/m ³
Frequency	50 Hz

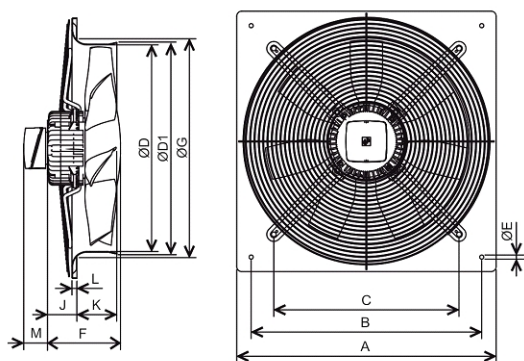
Construction

Discharge diameter	500 mm
Fan size	500
Blades	7
Weight	16,00 kg

Motor Characteristics

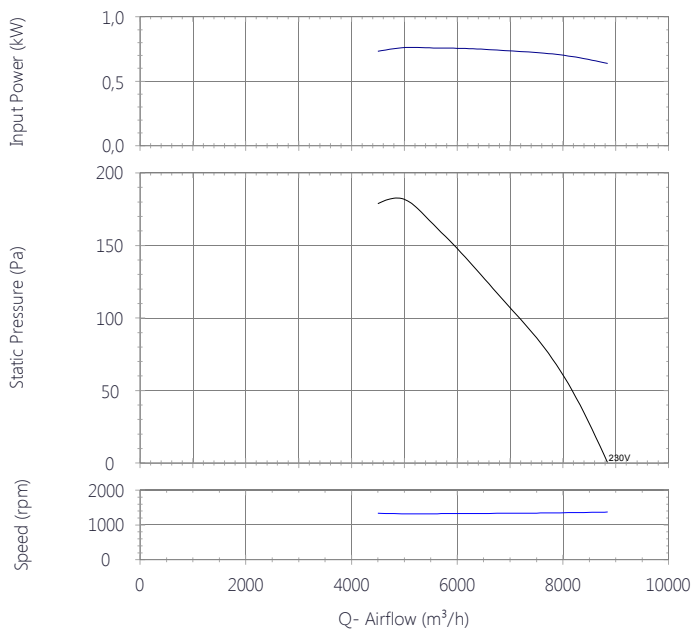
Number of poles	4
Voltage	1-230V-50Hz
Maximum absorbed current	3,3 A
IP Rating	IP65
Motor insulation class	F

Drawing



A	B	C	D	D1	E	F	G	J
630	560	450	500	512	10	217	536	112
K	L	M						
97	12	65						

Performance Chart



Sound Performance

	63	125	250	500	1k	2k	4k	8k	Overall
Inlet (LwA)	50	69	69	75	79	77	73	66	83
Inlet LpA @ 1m	39	58	58	64	68	66	62	55	72

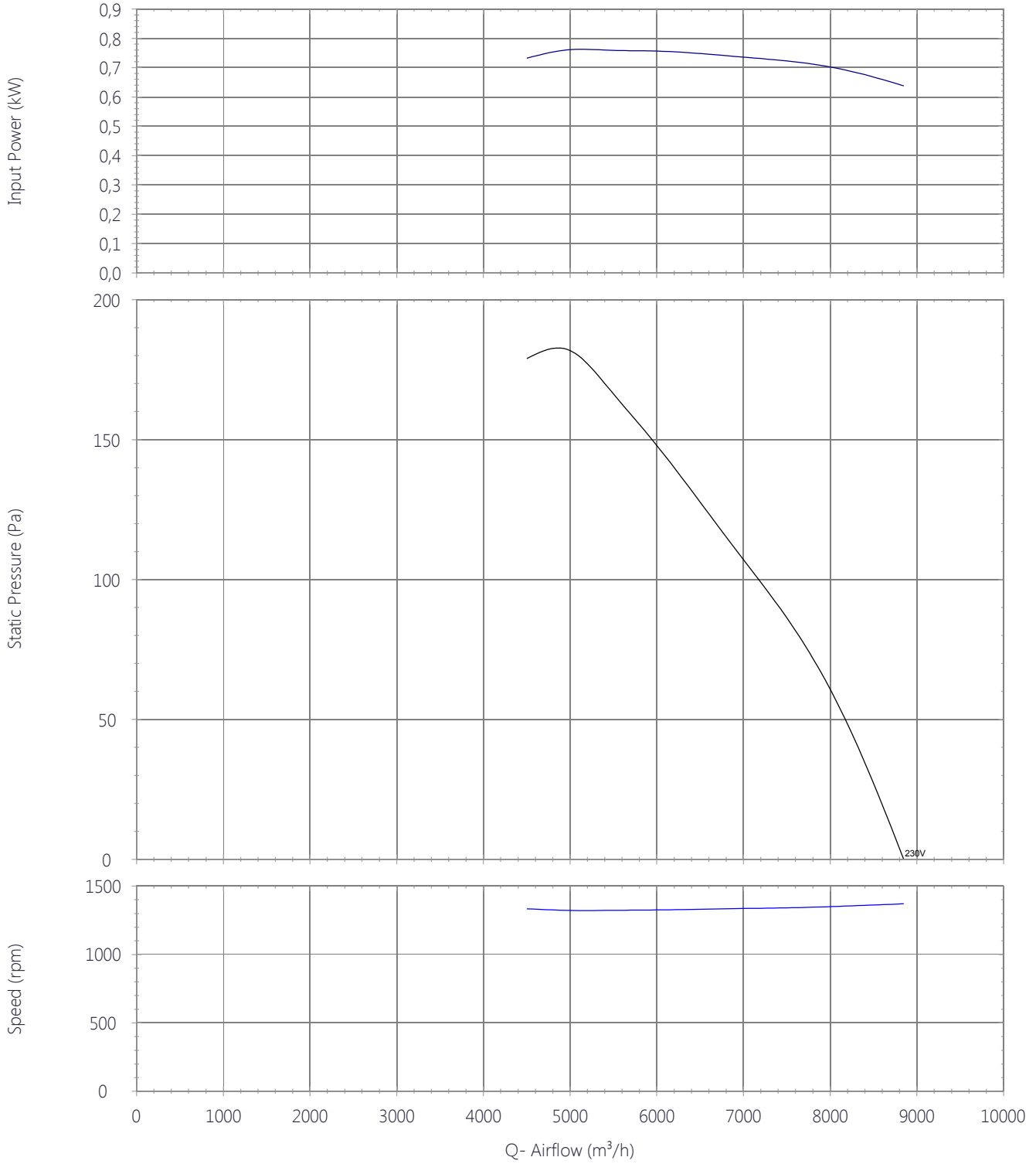




COMPACT HCBB/HCBT ALUMINIUM IMPELLERS

5603255000 - HCBB/4-500/H-A (230V50HZ) V5 - PLATE MOUNTED AXIAL FLOW FANS

Performance Chart

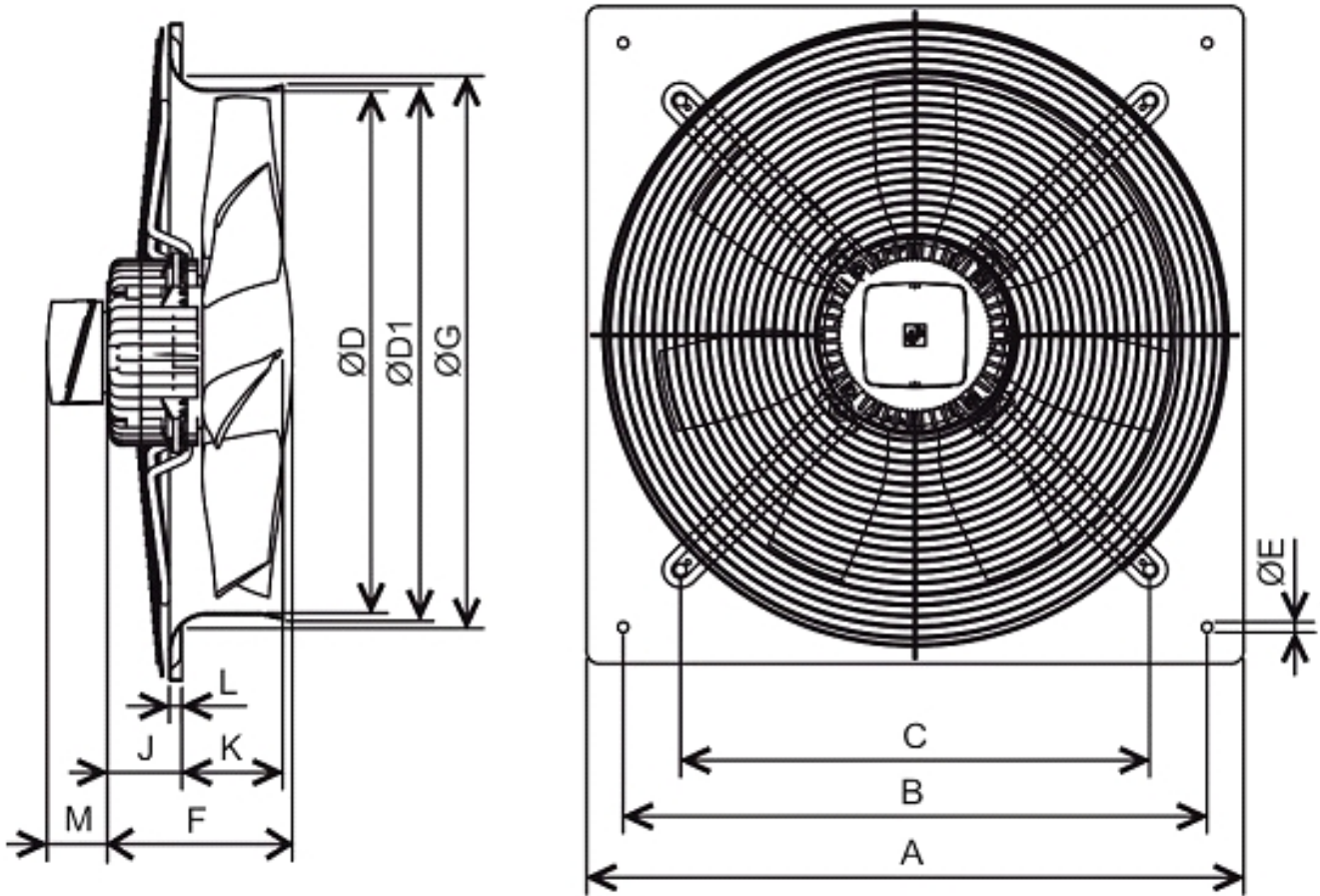




COMPACT HCBB/HCBT ALUMINIUM IMPELLERS

5603255000 - HCBB/4-500/H-A (230V50HZ) V5 - PLATE MOUNTED AXIAL FLOW FANS

Drawing



A	B	C	D	D1	E	F	G	J	K	L	M
630	560	450	500	512	10	217	536	112	97	12	65



COMPACT HCBB/HCBT ALUMINIUM IMPELLERS

5603255000 - HCBB/4-500/H-A (230V50HZ) V5 - PLATE MOUNTED AXIAL FLOW FANS

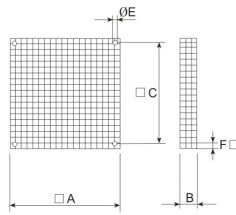
Accessories

5112650600 - DEF-525 DESCARGA



WIRE PROTECTION GUARD - PLATE AXIAL FANS

Dimensions



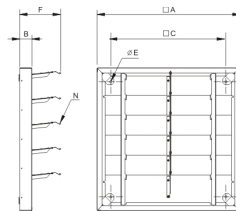
A	B	C	E	F
553	64	507	8	10.6

5112681600 - PER-500 CR



Louvre back draft shutters with steel frame and aluminium shutter blades with a system for simultaneous opening of all shutter blades. All models are fitted with bird guard.

Dimensions



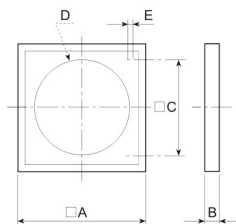
A	B	C	E	F	N
610	60	511	8	146	7

5406064500 - PER-500 W



Louvre back draft shutters manufactured totally from UV stabilized plastic material.

Dimensions



A	B	C	D	E
548	31	443	510	5



COMPACT HCBB/HCBT ALUMINIUM IMPELLERS

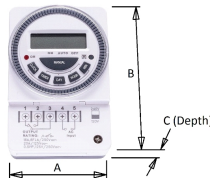
5603255000 - HCBB/4-500/H-A (230V50HZ) V5 - PLATE MOUNTED AXIAL FLOW FANS

L0111000000388 - 7-DAY PROGRAMMABLE TIMECLOCK



Surface-mount digital 7-day timer.

Dimensions



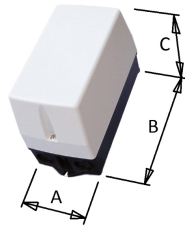
A	B	C
66	98	39

L0111000000414 - CONTACTOR INTERFACE STATION -9A - 2xN/C & 2xN/O CONTACTS

9A 2 x N/O / 2 x N/C relay in IP65 enclosure for switching of fans from an external source.



Dimensions



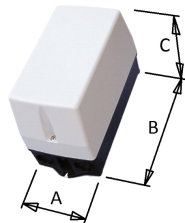
A	B	C
110	234	149

L0111000000199 - CONTACTOR INTERFACE STATION -9A - 4xN/O CONTACTS

9A N/O relay in IP65 enclosure for switching of fans from an external source, particularly useful for the on/off control of 3-phase units.



Dimensions



A	B	C
110	234	149



COMPACT HCBB/HCBT ALUMINIUM IMPELLERS

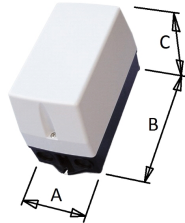
5603255000 - HCBB/4-500/H-A (230V50HZ) V5 - PLATE MOUNTED AXIAL FLOW FANS

L0111000000541 - RELAY 230V COIL DPDT C/W ENCLOSURE IP65

Double-Pole, Double-throw relay in IP65 enclosure for switching of fans from an external source.



Dimensions



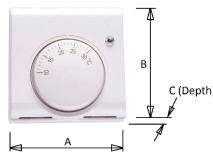
A	B	C
110	234	149

L0111000000389 - THERMOSTAT 230V INPUT

Thermostat for switching of fans by temperature, adjustable temperature range 10-30 degrees C.



Dimensions



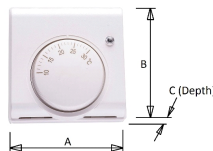
A	B	C
83	83	40

L0111000000390 - THERMOSTAT 24V INPUT

Thermostat for switching of fans by temperature, adjustable temperature range 10-30 degrees C.



Dimensions



A	B	C
83	83	40



COMPACT HCBB/HCBT ALUMINIUM IMPELLERS

5603255000 - HCBB/4-500/H-A (230V50HZ) V5 - PLATE MOUNTED AXIAL FLOW FANS

Sound Performance

	63	125	250	500	1k	2k	4k	8k	Overall
Inlet (LwA)	50	69	69	75	79	77	73	66	83
Inlet LpA @ 1m	39	58	58	64	68	66	62	55	72





COMPACT HCBB/HCBT ALUMINIUM IMPELLERS

5603255000 - HCBB/4-500/H-A (230V50HZ) V5 - PLATE MOUNTED AXIAL FLOW FANS

ErP Data

Maximum efficiency %	33,6
Installation type	A
Category efficiency	Static
N	N40,7
Variable speed drive	+
Year of manufacture	Product Rating Plate
Manufacturer's Info	S&P ES-08150 CIF-864911928
Product code	5603255000
Input power at optimum efficiency point (kW)	0,760
Airflow at optimum efficiency point [m ³ /h]	5.336
Pressure at optimum efficiency point [Pa]	172
Speed at optimum efficiency point	1322
Specific Ratio	1
Recycling/disposal	Instruction Manual
Maintenance	Instruction Manual
Additional components	Catalogue and according to ISO 5801