



# COMPACT HCBB/HCBT ALUMINIUM IMPELLERS

5603640400 - HCBB/4-560/H-A (230V50HZ) V5 - PLATE MOUNTED AXIAL FLOW FANS



Range of low profile plate mounted axial fans fitted with aluminium impellers and single phase motor (HCBB), IP65, Class F insulation, equipped with thermal protection\*.

\*Except models Ø 800 to 1000.

## Motors

Available, depending upon the model, with single or three phase motors in 4 or 6 poles. All motors are speed controllable by autotransformer except models /4-630, B/710, T/4-710, T/800, T/900 and T/1000.

Electrical supplies:

Single phase 230V-50Hz.

(Capacitor located inside the wiring terminal box).

Trade S&P model HCBB/4-560/H-A (230V50HZ) V5

## Theoretical Working Point

Airflow	-
Static Pressure	0,000 Pa
Temperature	20 °C
Altitude	0 m
Density	1,2 kg/m <sup>3</sup>
Frequency	50 Hz

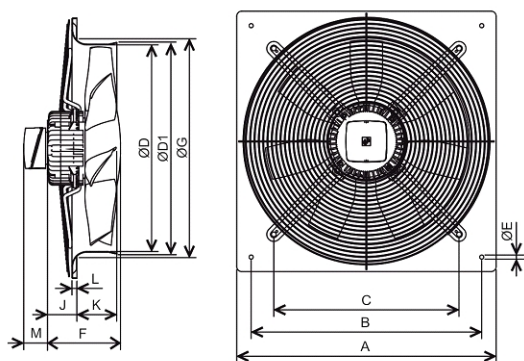
## Construction

Discharge diameter	560 mm
Fan size	560
Blades	7
Weight	22,00 kg

## Motor Characteristics

Number of poles	4
Voltage	1-230V-50Hz
Maximum absorbed current	6,5 A
IP Rating	IP65
Motor insulation class	F

## Drawing

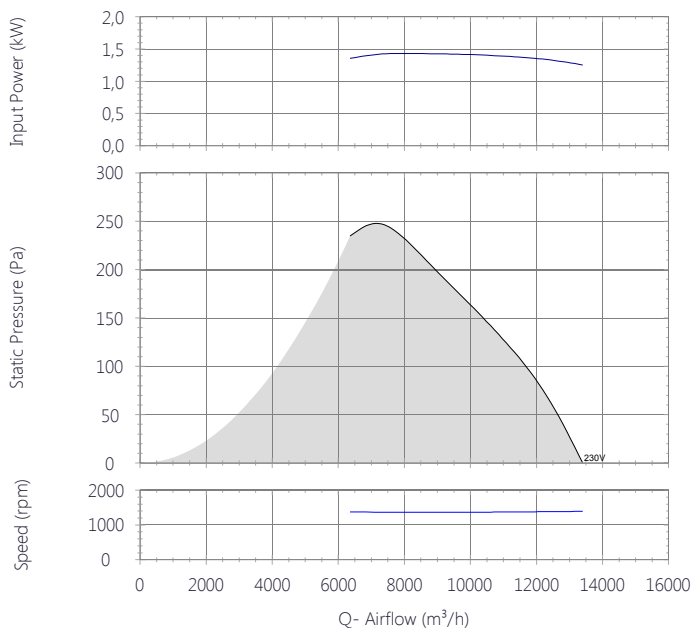


A	B	C	D	D1	E	F	G	J
710	630	510	560	570	10	218.5	596	110.5

K	L	M
98.5	12	65

## Performance Chart



## Sound Performance

	63	125	250	500	1k	2k	4k	8k	Overall
Inlet (LwA)	59	72	76	80	82	80	76	69	87
Inlet LpA @ 1m	48	61	65	69	71	69	65	58	76

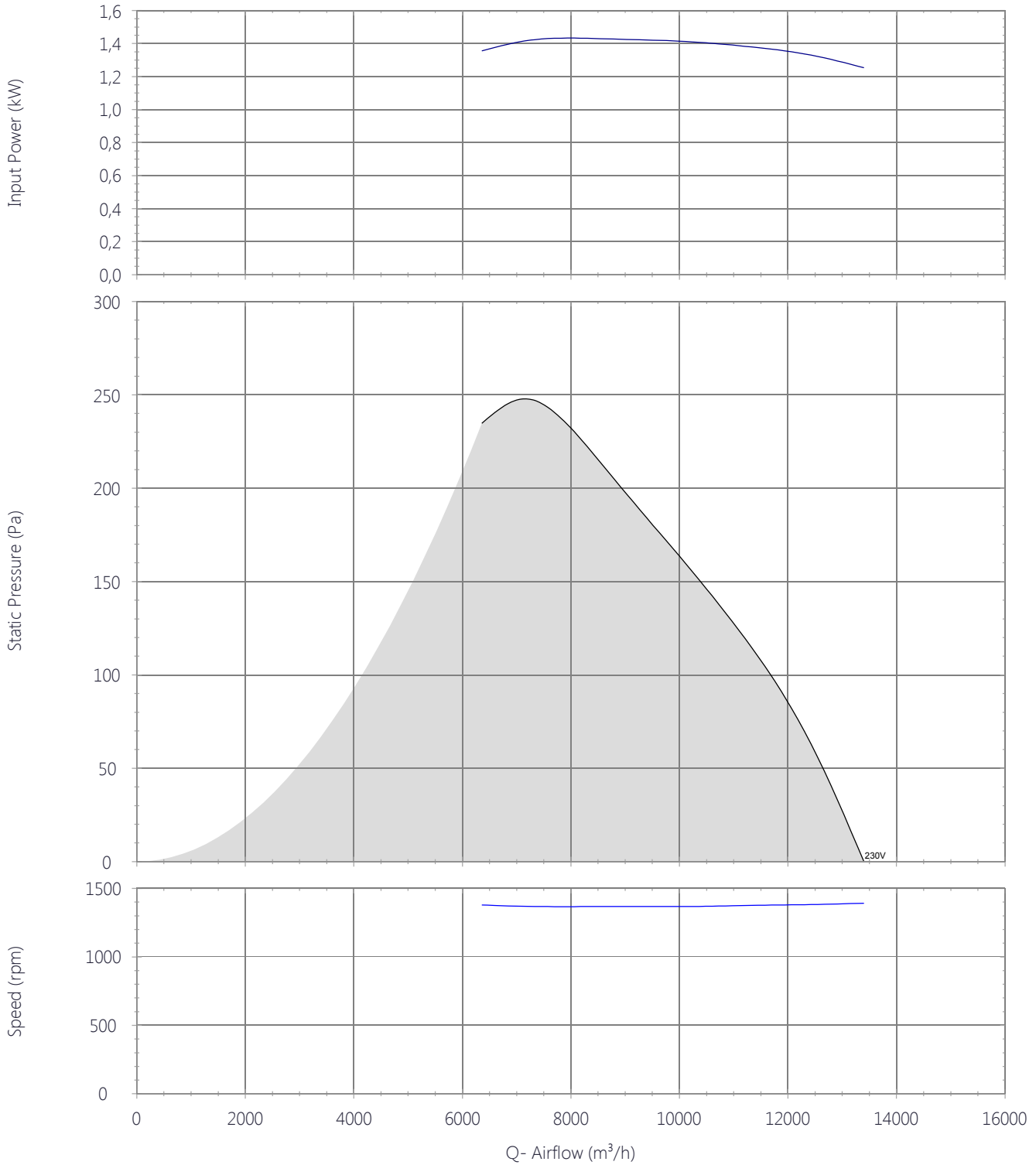




# COMPACT HCBB/HCBT ALUMINIUM IMPELLERS

5603640400 - HCBB/4-560/H-A (230V50HZ) V5 - PLATE MOUNTED AXIAL FLOW FANS

Performance Chart

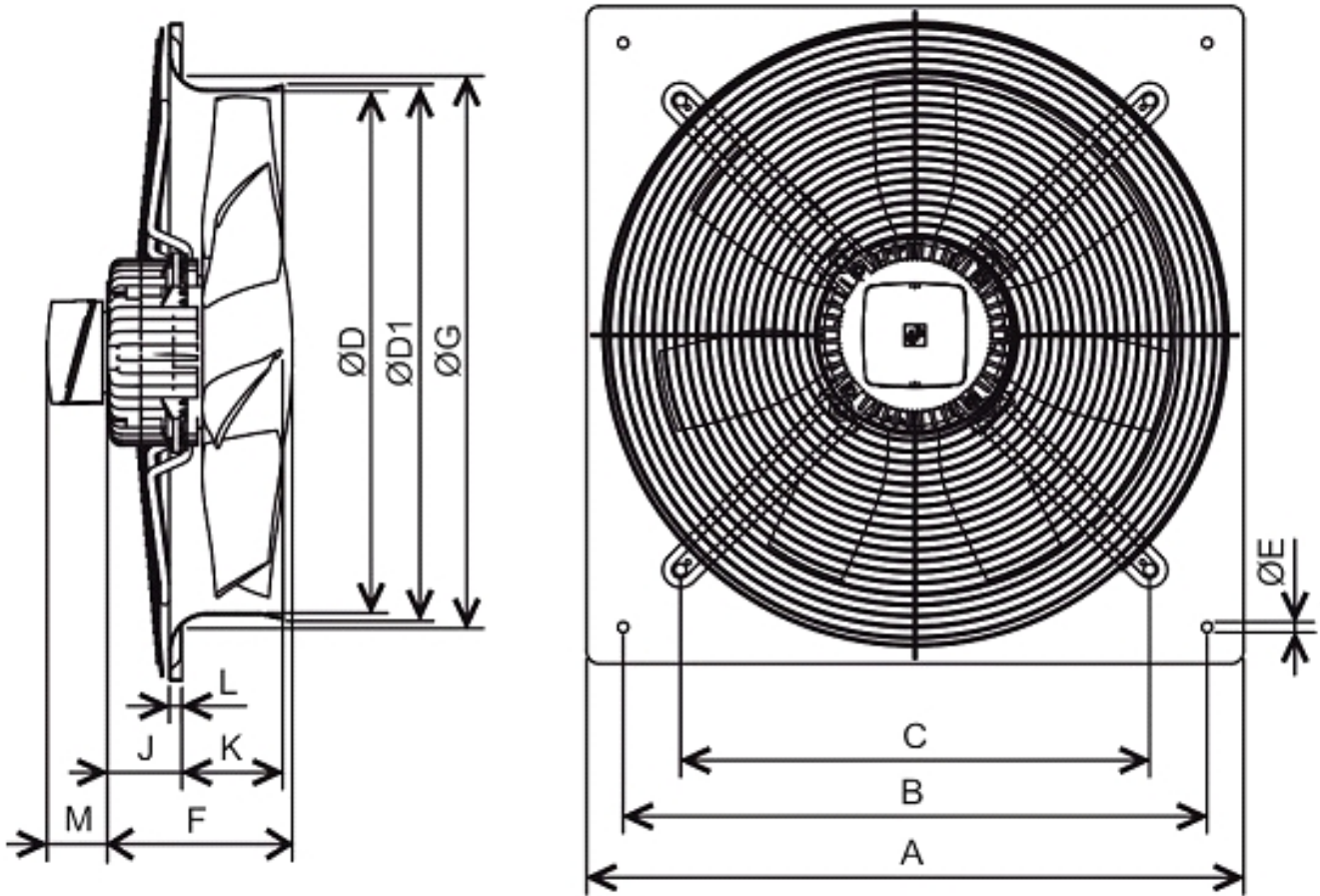




# COMPACT HCBB/HCBT ALUMINIUM IMPELLERS

5603640400 - HCBB/4-560/H-A (230V50HZ) V5 - PLATE MOUNTED AXIAL FLOW FANS

Drawing



A	B	C	D	D1	E	F	G	J	K	L	M
710	630	510	560	570	10	218.5	596	110.5	98.5	12	65



# COMPACT HCBB/HCBT ALUMINIUM IMPELLERS

5603640400 - HCBB/4-560/H-A (230V50HZ) V5 - PLATE MOUNTED AXIAL FLOW FANS

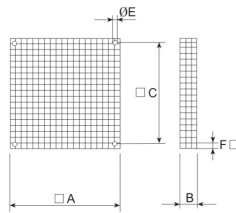
## Accessories

5111625900 - DEF-630 DESCARGA



WIRE PROTECTION GUARD - PLATE AXIAL FANS

### Dimensions



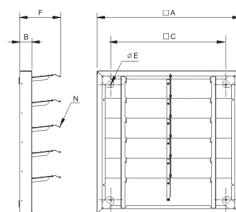
A	B	C	E	F
808	150	735	8	25

5112681700 - PER-630 CR



Louvre back draft shutters with steel frame and aluminium shutter blades with a system for simultaneous opening of all shutter blades. All models are fitted with bird guard.

### Dimensions



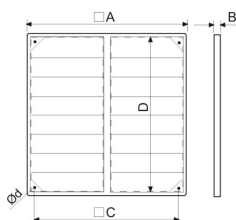
A	B	C	E	F	N
700	60	590	10	200	5

5406065200 - PER-560 W

Louvre back draft shutters manufactured totally from UV stabilized plastic material.



### Dimensions



A	D	C	B	od
605	565	522	28	5



# COMPACT HCBB/HCBT ALUMINIUM IMPELLERS

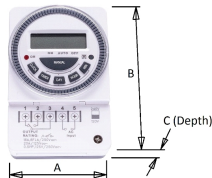
5603640400 - HCBB/4-560/H-A (230V50HZ) V5 - PLATE MOUNTED AXIAL FLOW FANS

## L0111000000388 - 7-DAY PROGRAMMABLE TIMECLOCK



Surface-mount digital 7-day timer.

### Dimensions



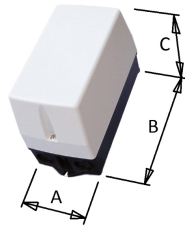
A	B	C
66	98	39

## L0111000000414 - CONTACTOR INTERFACE STATION -9A - 2xN/C & 2xN/O CONTACTS

9A 2 x N/O / 2 x N/C relay in IP65 enclosure for switching of fans from an external source.



### Dimensions



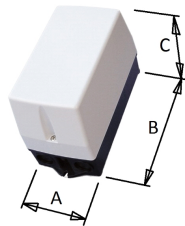
A	B	C
110	234	149

## L0111000000199 - CONTACTOR INTERFACE STATION -9A - 4xN/O CONTACTS

9A N/O relay in IP65 enclosure for switching of fans from an external source, particularly useful for the on/off control of 3-phase units.



### Dimensions



A	B	C
110	234	149



# COMPACT HCBB/HCBT ALUMINIUM IMPELLERS

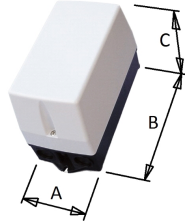
5603640400 - HCBB/4-560/H-A (230V50HZ) V5 - PLATE MOUNTED AXIAL FLOW FANS

L0111000000541 - RELAY 230V COIL DPDT C/W ENCLOSURE IP65

Double-Pole, Double-throw relay in IP65 enclosure for switching of fans from an external source.



## Dimensions



A	B	C
110	234	149



# COMPACT HCBB/HCBT ALUMINIUM IMPELLERS

5603640400 - HCBB/4-560/H-A (230V50HZ) V5 - PLATE MOUNTED AXIAL FLOW FANS

## Sound Performance

	63	125	250	500	1k	2k	4k	8k	Overall
Inlet (LwA)	59	72	76	80	82	80	76	69	87
Inlet LpA @ 1m	48	61	65	69	71	69	65	58	76





# COMPACT HCBB/HCBT ALUMINIUM IMPELLERS

5603640400 - HCBB/4-560/H-A (230V50HZ) V5 - PLATE MOUNTED AXIAL FLOW FANS

## ErP Data

Maximum efficiency %	36,0
Installation type	A
Category efficiency	Static
N	N41,3
Variable speed drive	+
Year of manufacture	Product Rating Plate
Manufacturer's Info	S&P ES-08150 CIF-864911928
Product code	5603640400
Input power at optimum efficiency point (kW)	1,433
Airflow at optimum efficiency point [m <sup>3</sup> /h]	7,887
Pressure at optimum efficiency point [Pa]	235
Speed at optimum efficiency point	1367
Specific Ratio	1
Recycling/disposal	Instruction Manual
Maintenance	Instruction Manual
Additional components	Catalogue and according to ISO 5801