



HCFB/HCFT

5602085200 - HCFT/6-630/H-A (230/400V50HZ) V5 - PLATE MOUNTED AXIAL FLOW FANS



Range of low profile plate mounted axial fans fitted with plastic impellers with fiberglass, three phase motor (HCFT), IP65, Class F insulation, equipped with thermal protection.

Motors

6 poles. Motor is speed controllable by autotransformer.

Electrical supplies:

Three phase 230/400V-50Hz or 400V-50Hz.

Brand S&P model HCFT/6-630/H-A (230/400V50HZ) V5.

Theoretical Working Point

Airflow	-
Static Pressure	0,000 N/m ²
Temperature	20 °C
Altitude	0 m
Density	1,2 kg/m ³
Frequency	50 Hz

Construction

Discharge diameter	630 mm
Fan size	630
Blades	7
Weight	20,60 kg

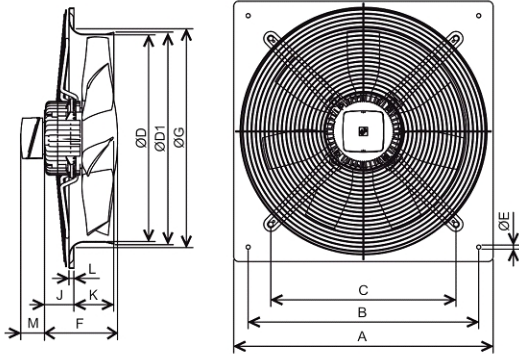
Motor Characteristics

Number of poles	6
Voltage	3-230/400V-50Hz
Maximum absorbed current	2,1 A / 1,2 A
IP Rating	IP65
Motor insulation class	F

Working Point

Fan speed	920
-----------	-----

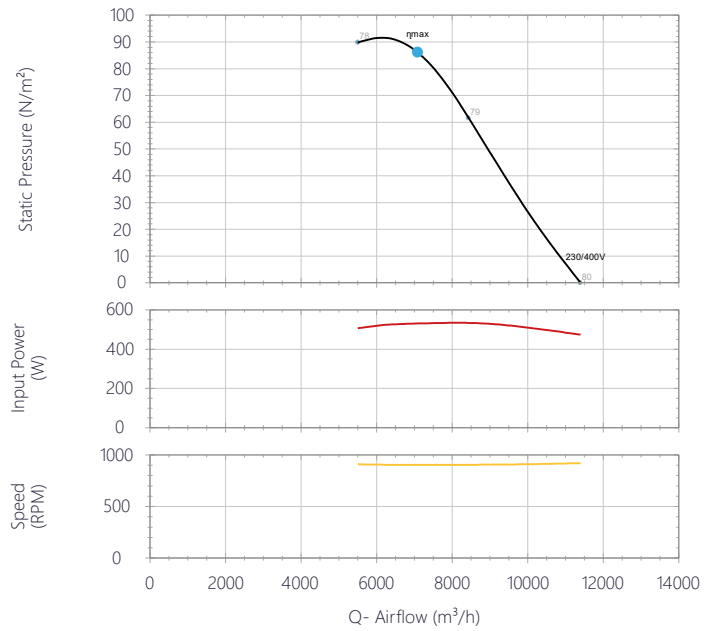
Drawing



A	B	C	D	D1	E	F	G	J
800	710	580	630	640	12	150	674	41

K	L	M
103	12	60

Performance Chart



Sound Performance

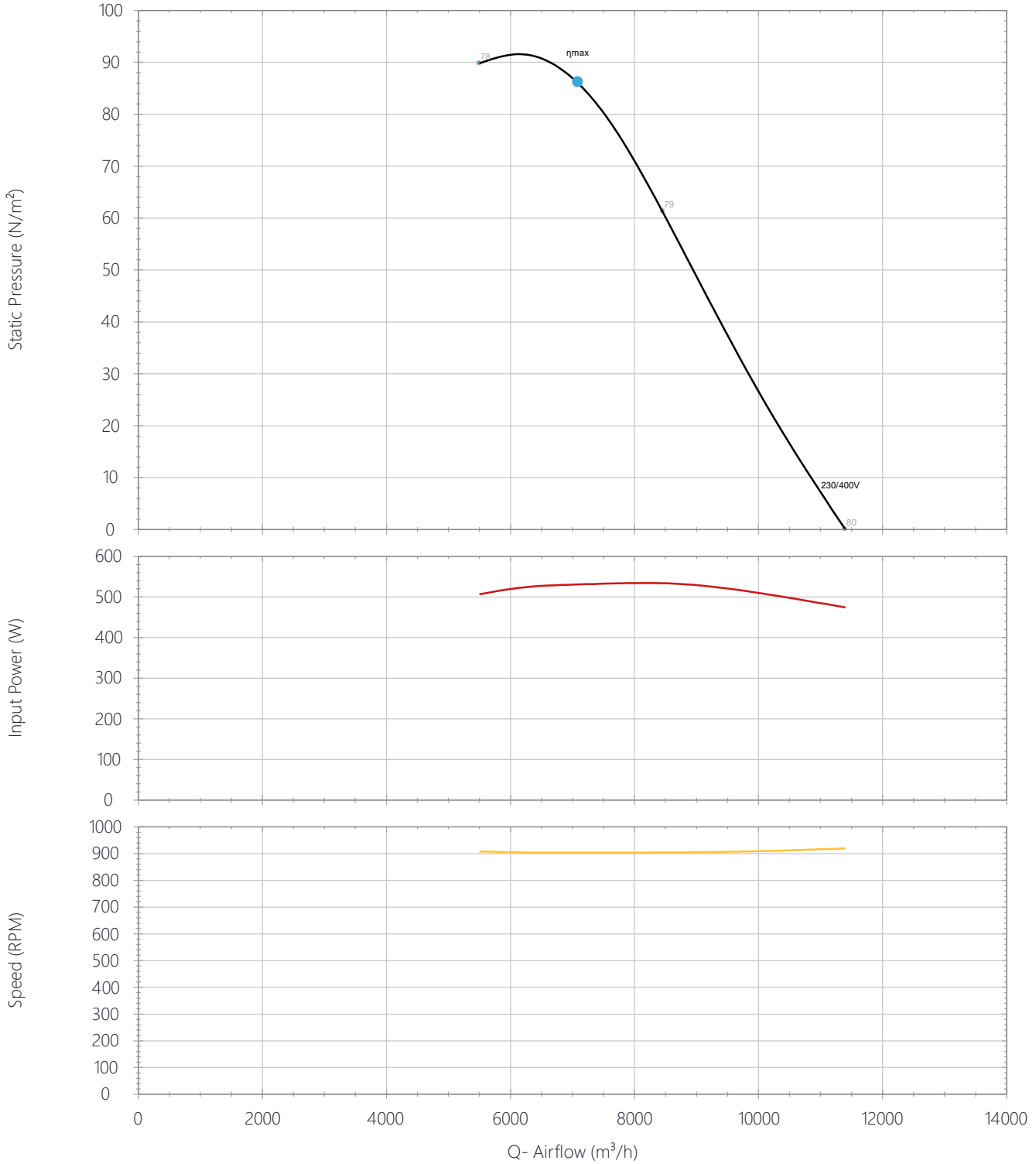
	63	125	250	500	1k	2k	4k	8k	Overall
Inlet (LwA)	48	63	67	72	76	73	70	63	80
Inlet LpA @ 1m	37	52	56	61	65	62	59	52	69



HCFB/HCFT

5602085200 - HCFT/6-630/H-A (230/400V50HZ) V5 - PLATE MOUNTED AXIAL FLOW FANS

Performance Chart





HCFB/HCFT

5602085200 - HCFT/6-630/H-A (230/400V50HZ) V5 - PLATE MOUNTED AXIAL FLOW FANS

Sound Performance

	63	125	250	500	1k	2k	4k	8k	Overall
Inlet (LwA)	48	63	67	72	76	73	70	63	80
Inlet LpA @ 1m	37	52	56	61	65	62	59	52	69

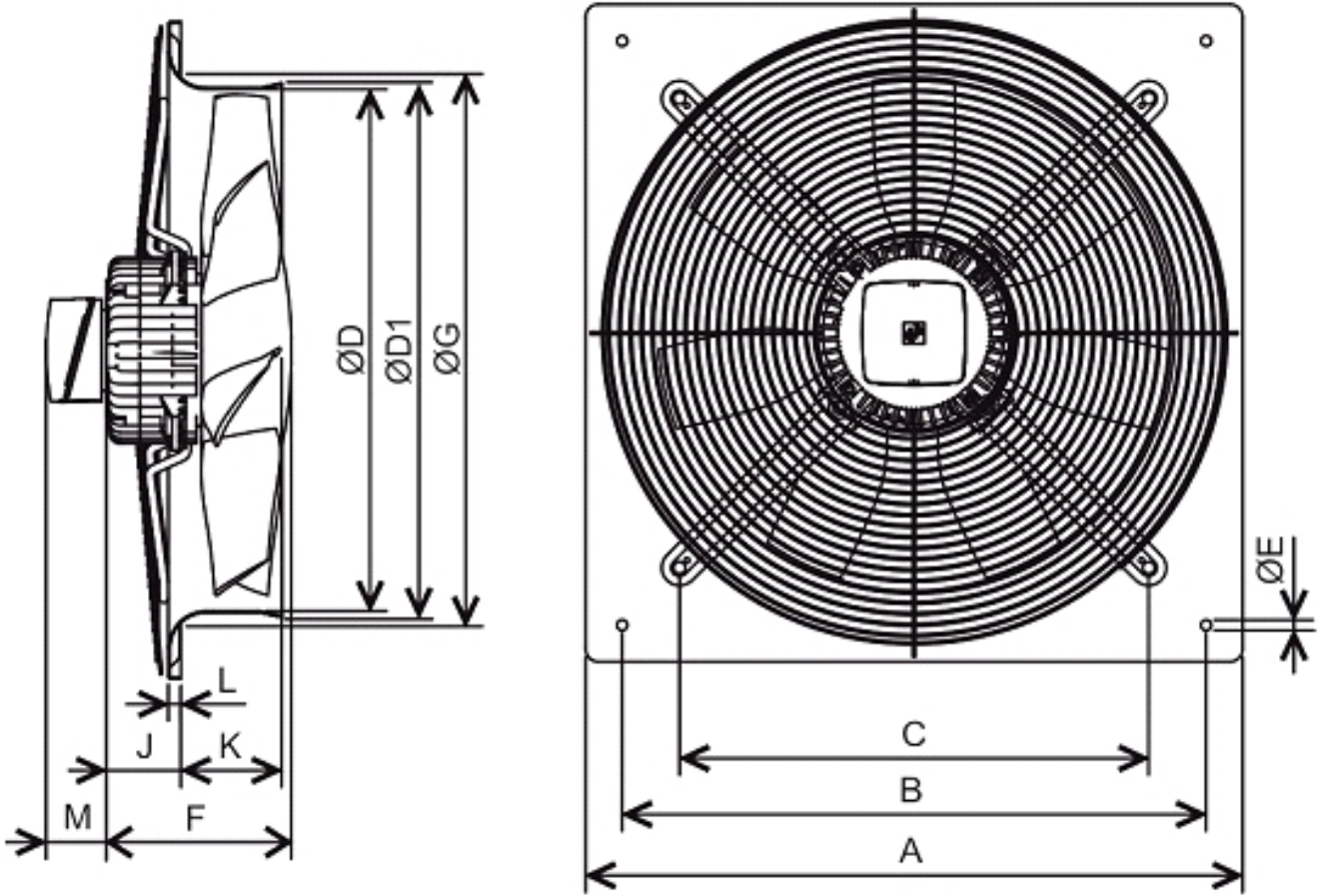




HCFB/HCFT

5602085200 - HCFT/6-630/H-A (230/400V50HZ) V5 - PLATE MOUNTED AXIAL FLOW FANS

Drawing



A	B	C	D	D1	E	F	G	J	K	L	M
800	710	580	630	640	12	150	674	41	103	12	60



HCFB/HCFT

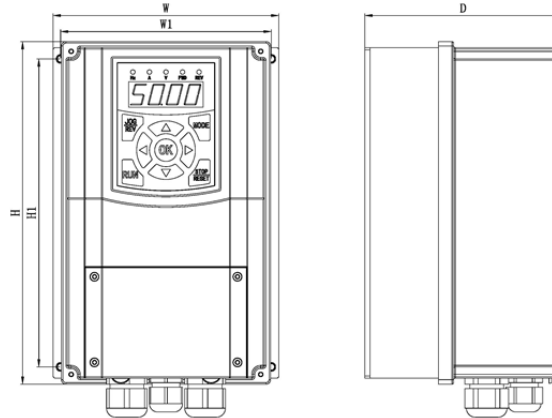
5602085200 - HCFT/6-630/H-A (230/400V50HZ) V5 - PLATE MOUNTED AXIAL FLOW FANS

Accessories

L1000000662 - S&P VFD-M 10A IP54 (1-PH)



Single-phase 230V-50/60Hz Voltage supply. Motor kW protection programmable by a single parameter. Power on and drive status indication. Speed selection with UP/DOWN keys. Run/Fault relay output contacts. Motor overload and shortcut protections.

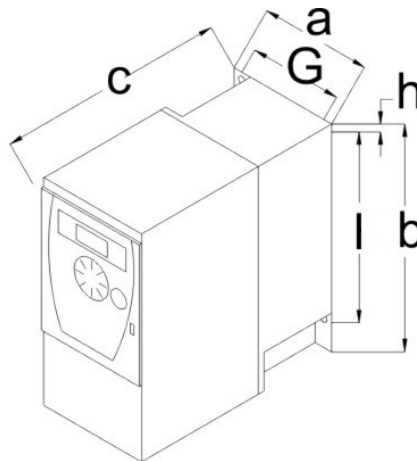


Dimensions

H	H1	W	W1	D	d
193	170	150	140	131	4.5

5401227200 - VFTM320 MONO 0,37 IP66

Adjustable frequency drive. Single phase supply 230V-50/60Hz, three phase 230V output.



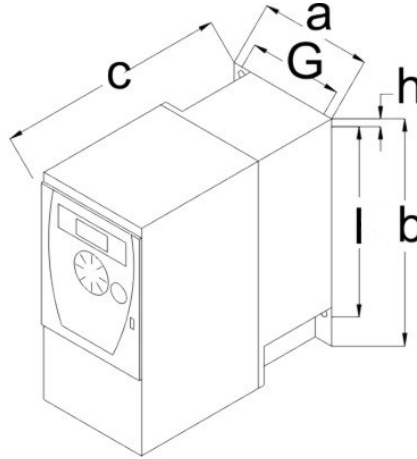
Dimensions

a	b	c	G	l	h
250	340	182	231	323	6.6

5401225300 - VFTM320 MONO 0,37



Adjustable frequency drive. Single phase supply 230V-50/60Hz, three phase 230V output.



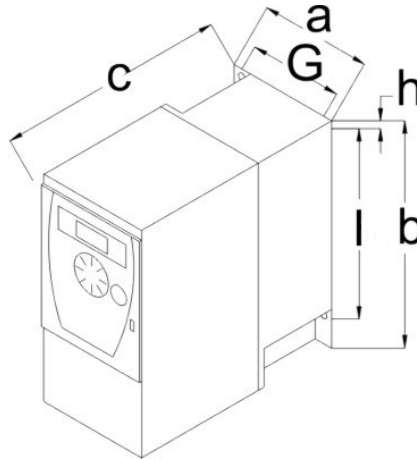
Dimensions

a	b	c	G	I	h
72	143	128	60	121.5	6

5401227300 - VFTM320 MONO 0,55 IP66



Adjustable frequency drive. Single phase supply 230V-50/60Hz, three phase 230V output.



Dimensions

a	b	c	G	I	h
250	340	182	231	323	6.6



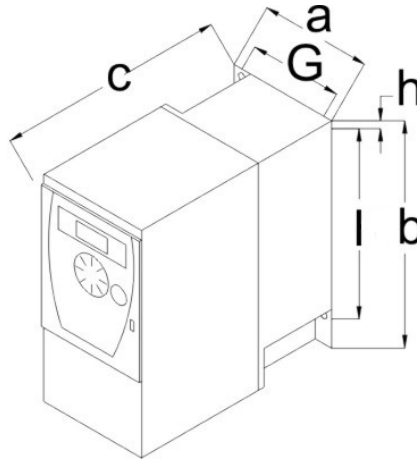
HCFB/HCFT

5602085200 - HCFT/6-630/H-A (230/400V50HZ) V5 - PLATE MOUNTED AXIAL FLOW FANS

5401225400 - VFTM320 MONO 0,55



Adjustable frequency drive. Single phase supply 230V-50/60Hz, three phase 230V output.



Dimensions

a	b	c	G	l	h
72	143	138	60	121.5	6

5401304100 - REB-CVF (0-10V)





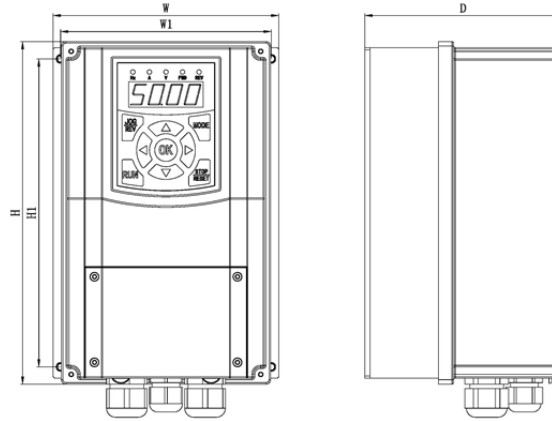
HCFB/HCFT

5602085200 - HCFT/6-630/H-A (230/400V50HZ) V5 - PLATE MOUNTED AXIAL FLOW FANS

L1000000664 - S&P VFD-T 5A IP54 (3-PH)



Three-phase 400V-50/60Hz Voltage supply. Motor kW protection programmable by a single parameter. Power on and drive status indication. Speed selection with UP/DOWN keys. Run/Fault relay output contacts. Motor overload and shortcut protections.



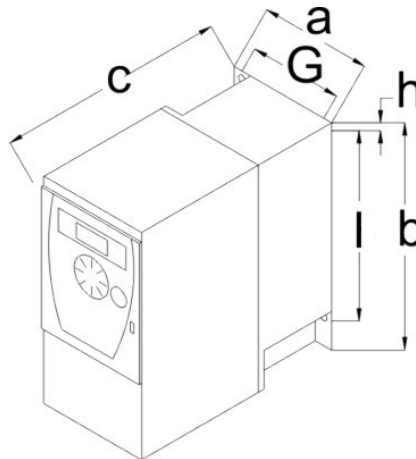
Dimensions

H	H1	W	W1	D	d
193	170	150	140	131	4.5

5401225900 - VFTM320 TRI 0,37



Adjustable frequency drive. Three phase supply 400V-50/60Hz, three phase 400V output.



Dimensions

a	b	c	G	I	h
105	142	158	93	118	5



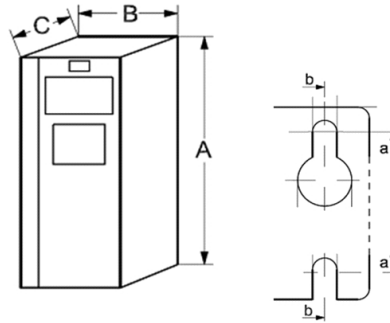
HCFB/HCFT

5602085200 - HCFT/6-630/H-A (230/400V50HZ) V5 - PLATE MOUNTED AXIAL FLOW FANS

L0111000001133 - VLTM102 1.1kW 2.7A IP66 (400V)



Frequency converters for three-phase motors from 1.1 to 15kW. IP66 protection rating.VLTM IP66 Models: 400V-50/60Hz three-phase supply voltage and 400V three-phase output.External screen for viewing parameters.Internal control buttons for manual speed regulation (frequency).Special plug play configuration for constant pressure work modes or manual regulation with internal control buttons.Overload and short circuit protection. Integrated class 2 EMC filter.Modbus and CANopen communication protocols integrated as standard.BACnet MSTP and Modbus RTU as Standard.Additional Modules available:-Additional relays.-BACNET./ip-Thermistor module (PTC).-Real Time Clock battery.



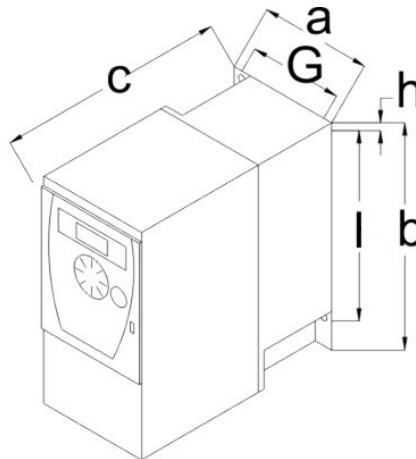
W = Weight (kg)

Dimensions					
A	B	C	a	b	W
390	200	177	397	171	9.7

5401227900 - VFTM320 TRI 0,55 IP66



Adjustable frequency drive. Three phase supply 400V-50/60Hz, three phase 400V output.

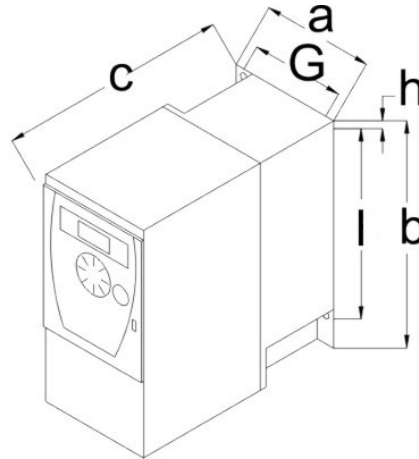


Dimensions					
a	b	c	G	I	h
250	340	200	231	323	6.6

5401226000 - VFTM320 TRI 0,55



Adjustable frequency drive. Three phase supply 400V-50/60Hz, three phase 400V output.



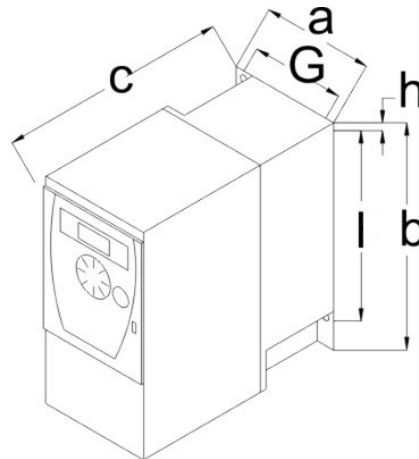
Dimensions

a	b	c	G	I	h
105	142	158	93	118	5

5401227800 - VFTM320 TRI 0,37 IP66



Adjustable frequency drive. Three phase supply 400V-50/60Hz, three phase 400V output.



Dimensions

a	b	c	G	I	h
250	340	200	231	323	6.6



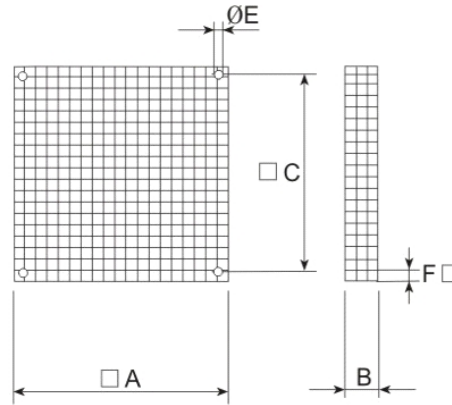
HCFB/HCFT

5602085200 - HCFT/6-630/H-A (230/400V50HZ) V5 - PLATE MOUNTED AXIAL FANS

5111625900 - DEF-630 DESCARGA



WIRE PROTECTION GUARD - PLATE AXIAL FANS



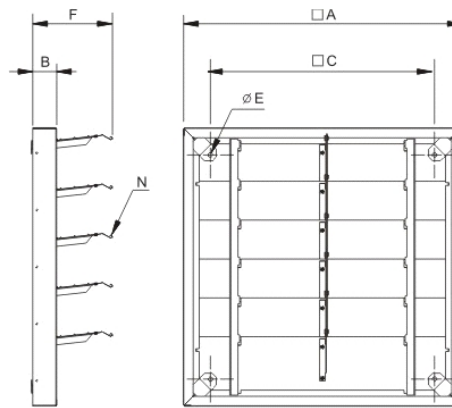
Dimensions

A	B	C	E	F
808	150	735	8	25

5112681700 - PER-630 CR



Louvre back draft shutters with steel frame and aluminium shutter blades with a system for simultaneous opening of all shutter blades. All models are fitted with bird guard.



Dimensions

A	B	C	E	F	N
700	60	590	10	200	5

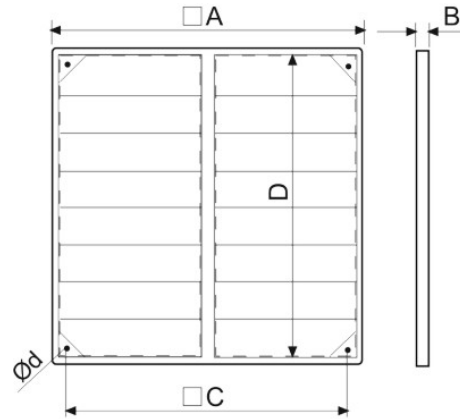


HCFB/HCFT

5602085200 - HCFT/6-630/H-A (230/400V50HZ) V5 - PLATE MOUNTED AXIAL FLOW FANS

5406066000 - PER-630 W

Louvre back draft shutters manufactured totally from UV stabilized plastic material.



Dimensions

A	D	C	B	d
696	655	626	31	5



HCFB/HCFT

5602085200 - HCFT/6-630/H-A (230/400V50HZ) V5 - PLATE MOUNTED AXIAL FLOW FANS

ErP Data

Maximum efficiency %	31,9
Installation type	A
Category efficiency	Static
N	N40
Variable speed drive	+
Year of manufacture	Product Rating Plate
Manufacturer's Info	S&P
Product code	5602085200
Input power at optimum efficiency point (kW)	0,531
Airflow at optimum efficiency point [m3/h]	7.080
Pressure at optimum efficiency point [Pa]	86
Speed at optimum efficiency point	904
Specific Ratio	1
Recycling/disposal	Instruction Manual
Maintenance	Instruction Manual
Additional components	Catalogue and according to ISO 5801