



# JETFLOW HIT

Product Brochure



# JETFLOW HIT

## Centrifugal In-line Fan

For full detailed information on the following:  
**Sound Data, Accessories & Wiring Data**  
and **Optimum Energy Efficiency Point**  
please visit [eltaselect.com](http://eltaselect.com).

### QUICK FACTS

- ✓ 5 standard sizes from 150mm to 315mm.
- ✓ Air volume flow rates up to 0.51 m<sup>3</sup>/s.
- ✓ Static pressures up to 650 Pa.
- ✓ Suitable for operating temperatures up to +50°C.
- ✓ Available in **AC**.

### CASING

HIT casings have a galvanised pressed sheet steel construction, providing a robust, long lasting and corrosion resistant casing.

The inlet and outlet spigots should be a minimum of 25mm long to enable the installation and fixing to circular rigid, or flexible ductwork.

All HIT units are to be supplied complete with integral mounting brackets manufactured from galvanised sheet steel for horizontal or vertical mounting arrangements.

### IMPELLER

All impellers are single inlet backward curved centrifugal type. Impellers are balanced to ISO 14694 Grade G6.3.

### MOTORS

All motors are to be highly efficient, three speed external rotor motors; matched to the aerodynamic performance of the impeller.

Motors have sealed for life ball bearings to enable the fan to be mounted at any angle.

Motors are protected to IP44 with Class F insulation; suitable for speed control and ambient operating temperatures up to +50°C with built in thermal overload protection. Non self-resetting thermal cut-outs are fitted in accordance with EN60335-2-80.

Motors are wound for 230V/1Ph/50Hz/60Hz supply. Electrical connections are made by an IP54 terminal box fitted to the outside of the fan casing.

### QUALITY MANAGEMENT

Units are to be designed and manufactured with procedures as defined in BS EN ISO 9001:2008. All HIT units are to be tested to ISO 5801:2007 (airside performance) and BS 848 Part 2:1985 (sound performance).

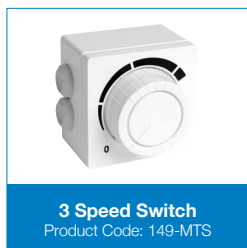
### TYPICAL APPLICATIONS

Variety of industrial, light commercial & domestic applications, including:

- Toilets
- Café
- Entrance Halls
- Duct Ventilation Boost
- Bathrooms
- Equipment Cooling
- Air Curtain Supply
- Restaurants

### ACCESSORIES

For full accessories & controls information please visit [eltaselect.com](http://eltaselect.com)



Elta Fans Limited has a policy of continuous product development and improvement and therefore reserves the right to supply products which may differ from those illustrated and described in this publication. Confirmation of dimensions and data will be supplied on request.

# JETFLOW HIT

## Performance, SFP & Electrical Data



SINGLE Phase - 220V to 240V / 50Hz

Product Code	Speed r/min	Airflow SFP	Airflow m³/s @ Static Pressure Pa.											Overall Efficiency %	Motor Electrical Data			dBA @ 3m		
			0	50	100	150	200	250	300	350	400	450	500		Peak Amps	SC Amps	Input kW			
HIT150	HIGH	2590	m³/s	0.130	0.120	0.108	0.094	0.078	0.060	0.039	0.001				25.2	0.28	0.99	0.065	Inlet	47
			W/(L/s)	0.48	0.53	0.60	0.69	0.81	1.01	1.46	44.46								Outlet	49
	MED	2320	m³/s	0.112	0.101	0.081	0.065	0.051	0.036	0.015					20.7	0.26	0.90	-	Inlet	44
			W/(L/s)	0.46	0.54	0.68	0.83	1.00	1.29	2.46				Outlet					45	
	LOW	2180	m³/s	0.090	0.065	0.049	0.038	0.029	0.017						13.1	0.25	0.86	-	Inlet	38
			W/(L/s)	0.57	0.85	1.08	1.27	1.54	2.18				Breakout	35						
HIT160	HIGH	2500	m³/s	0.129	0.117	0.104	0.090	0.075	0.058	0.034	0.006				25.0	0.28	0.98	0.064	Inlet	47
			W/(L/s)	0.47	0.53	0.60	0.70	0.84	1.06	1.69	7.78			Outlet					49	
	MED	2170	m³/s	0.110	0.097	0.081	0.064	0.047	0.028	0.009					20.2	0.24	0.84	-	Inlet	44
			W/(L/s)	0.43	0.52	0.64	0.79	1.02	1.54	3.70			Outlet	45						
	LOW	2030	m³/s	0.098	0.082	0.062	0.046	0.031	0.016	0.005					15.1	0.23	0.81	-	Inlet	38
			W/(L/s)	0.47	0.59	0.79	1.02	1.37	2.18	5.21			Breakout	35						
HIT200	HIGH	2520	m³/s	0.254	0.240	0.225	0.207	0.187	0.165	0.139	0.109	0.075	0.038		28.1	0.71	2.49	0.159	Inlet	51
			W/(L/s)	0.56	0.61	0.67	0.75	0.84	0.96	1.12	1.37	1.86	3.29						Outlet	53
	MED	2315	m³/s	0.220	0.197	0.165	0.134	0.109	0.089	0.071	0.054				18.4	0.61	2.13	-	Inlet	47
			W/(L/s)	0.54	0.64	0.81	1.03	1.24	1.43	1.65	1.96			Breakout					43	
	LOW	1420	m³/s	0.189	0.109	0.073	0.064	0.059							5.7	0.59	2.07	-	Inlet	42
			W/(L/s)	0.64	1.22	1.79	1.92	1.99						Breakout					36	

Data in accordance with ErP 1253/2014 of the European Parliament. Product category is NRVU. Measurement category used to determine energy efficiency: D.

Data provided at standard air density of 1.2 kg/m³.

The overall A-weighted sound pressure level is at a distance of 3m with spherical free-field propagation. It is expressed in dB re-20µPa and is presented for comparative purposes only.

Eltas Fans Limited has a policy of continuous product development and improvement and therefore reserves the right to supply products which may differ from those illustrated and described in this publication. Confirmation of dimensions and data will be supplied on request.

# JETFLOW HIT

## Performance, SFP & Electrical Data



SINGLE Phase - 220V to 240V / 50Hz

Product Code	Speed r/min	Airflow SFP	Airflow m³/s @ Static Pressure Pa.											Overall Efficiency %	Motor Electrical Data			dBA @ 3m		
			0	50	100	150	200	250	300	350	400	450	500		Peak Amps	SC Amps	Input kW			
HIT250	HIGH	2400	m³/s	0.269	0.254	0.236	0.216	0.194	0.170	0.144	0.116	0.089	0.061	0.035	24.7	0.79	2.75	0.182	Inlet	52
			W/(L/s)	0.58	0.63	0.70	0.79	0.92	1.06	1.24	1.45	1.76	2.30	3.56					Outlet	56
	MED	2290	m³/s	0.229	0.213	0.182	0.130	0.103	0.086	0.072	0.059	0.046			15.3	0.73	2.55	0.167	Inlet	49
			W/(L/s)	0.64	0.72	0.89	1.26	1.54	1.78	2.01	2.29	2.71							Outlet	52
	LOW	1380	m³/s	0.194	0.146	0.075	0.064	0.055	0.048	0.041	0.033				5.5	0.68	2.38	0.156	Inlet	44
			W/(L/s)	0.74	1.04	1.95	2.23	2.47	2.71	3.01	3.47								Outlet	47
HIT250B	HIGH	2390	m³/s	0.311	0.290	0.268	0.241	0.208	0.173	0.141	0.115	0.090	0.066	0.040	25.2	0.79	2.75	0.182	Inlet	52
			W/(L/s)	0.51	0.57	0.63	0.73	0.87	1.04	1.22	1.41	1.65	2.04	3.00					Outlet	56
	MED	2300	m³/s	0.241	0.205	0.144	0.111	0.093	0.078	0.066	0.054	0.043	0.030		16.1	0.66	2.30	0.150	Inlet	47
			W/(L/s)	0.59	0.71	1.04	1.31	1.52	1.71	1.92	2.18	2.56	3.29						Outlet	50
	LOW	2090	m³/s	0.190	0.128	0.077	0.061	0.051	0.043	0.035	0.028	0.021			9.8	0.59	2.06	0.134	Inlet	41
			W/(L/s)	0.69	1.04	1.68	2.03	2.33	2.66	3.06	3.61	4.52							Outlet	42
HIT315	HIGH	2270	m³/s	0.312	0.291	0.262	0.227	0.191	0.158	0.128	0.099	0.071	0.045	0.021	22.2	0.80	2.79	0.184	Inlet	56
			W/(L/s)	0.50	0.56	0.66	0.79	0.95	1.14	1.37	1.67	2.14	3.07	5.80					Outlet	56
	MED	2010	m³/s	0.260	0.214	0.148	0.113	0.090	0.072	0.056	0.041	0.027			13.0	0.69	2.41	0.152	Inlet	51
			W/(L/s)	0.53	0.67	1.02	1.32	1.60	1.93	2.34	2.96	4.11							Outlet	51
	LOW	1840	m³/s	0.217	0.134	0.073	0.051	0.038	0.029						6.8	0.59	2.07	0.136	Inlet	46
			W/(L/s)	0.59	1.01	1.78	2.40	2.99	3.66										Outlet	47
HIT315B	HIGH	2230	m³/s	0.517	0.489	0.457	0.417	0.369	0.313	0.261	0.219	0.183	0.152	0.124	29.5	1.19	4.18	0.275	Inlet	56
			W/(L/s)	0.44	0.49	0.55	0.62	0.73	0.88	1.04	1.20	1.38	1.58	1.83					Outlet	58
	MED	2250	m³/s	0.485	0.449	0.399	0.331	0.267	0.222	0.187	0.157	0.130			24.5	1.10	3.86	0.251	Inlet	54
			W/(L/s)	0.44	0.49	0.58	0.75	0.94	1.11	1.27	1.44	1.64							Outlet	56
	LOW	2140	m³/s	0.449	0.412	0.344	0.247	0.200	0.167	0.140	0.115	0.090			20.1	1.04	3.65	0.236	Inlet	52
			W/(L/s)	0.46	0.52	0.66	0.95	1.15	1.33	1.52	1.75	2.07							Outlet	54
			W/(L/s)	0.46	0.52	0.66	0.95	1.15	1.33	1.52	1.75	2.07						Breakout	49	

Data in accordance with ErP 1253/2014 of the European Parliament. Product category is NRVU. Measurement category used to determine energy efficiency: D.

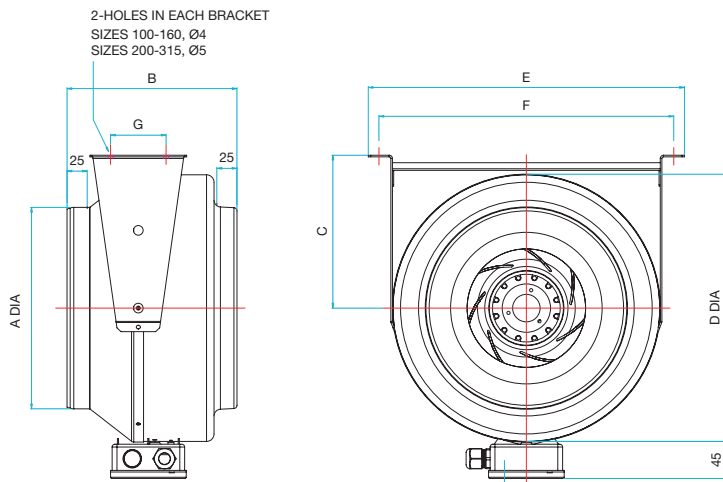
Data provided at standard air density of 1.2 kg/m³.

The overall A-weighted sound pressure level is at a distance of 3m with spherical free-field propagation. It is expressed in dB re-20µPa and is presented for comparative purposes only.

Eltas Fans Limited has a policy of continuous product development and improvement and therefore reserves the right to supply products which may differ from those illustrated and described in this publication. Confirmation of dimensions and data will be supplied on request.

# JETFLOW HIT

## Dimensional Data



Product Code	A	B	C	D	E	F	G	Weight kg
<b>HIT150</b>	148	195	165	278	326	312	47	3.6
<b>HIT160</b>	158	195	165	278	326	312	47	3.6
<b>HIT200</b>	198	235	190	333	392	372	100	5.5
<b>HIT250 &amp; HIT250B</b>	248	210	190	333	392	372	100	5.3
<b>HIT315 &amp; HIT 315B</b>	313	265	227	400	460	440	100	8.8

Dimensions are in mm.

Elta Fans Limited has a policy of continuous product development and improvement and therefore reserves the right to supply products which may differ from those illustrated and described in this publication. Confirmation of dimensions and data will be supplied on request.

# JETFLOW HIT

## Accessories



Product Code	3 Speed Switch	Flexible Connections (each)	Clamps (each)	Damper	Panel Filter	Electric Heater Battery
<b>HIT150</b>	149-MTS10	018-0150-FLEX	018-150-CLAMP	018-150-DAMPER	018-0150-FILT-P	018-0150-HEAT-1
<b>HIT160</b>	149-MTS10	018-0160-FLEX	018-160-CLAMP	018-160-DAMPER	018-0160-FILT-P	018-0160-HEAT-1
<b>HIT200</b>	149-MTS10	018-0200-FLEX	018-200-CLAMP	018-200-DAMPER	018-0200-FILT-P	018-0200-HEAT-1
<b>HIT250</b>	149-MTS10	018-0250-FLEX	018-250-CLAMP	018-250-DAMPER	018-0250-FILT-P	018-0250-HEAT-1
<b>HIT250B</b>	149-MTS10	018-0250-FLEX	018-250-CLAMP	018-250-DAMPER	018-0250-FILT-P	018-0250-HEAT-1
<b>HIT315</b>	149-MTS10	018-0315-FLEX	018-315-CLAMP	018-315-DAMPER	018-0315-FILT-P	018-0315-HEA1/3
<b>HIT315B</b>	149-MTS10	018-0315-FLEX	018-315-CLAMP	018-315-DAMPER	018-0315-FILT-P	018-0315-HEA1/3

Product Code	Silencer 300mm Long	Silencer 600mm Long	Silencer 900mm Long	Silencer 1200mm Long	Wiring Diagram
<b>HIT150</b>	068-0150-JF1	068-0150-JF2	068-0150-JF3	068-0150-JF4	152-529
<b>HIT160</b>	068-0160-JF1	068-0160-JF2	068-0160-JF3	068-0160-JF4	152-529
<b>HIT200</b>	068-0200-JF1	068-0200-JF2	068-0200-JF3	068-0200-JF4	152-529
<b>HIT250</b>	068-0250-JF1	068-0250-JF2	068-0250-JF3	068-0250-JF4	152-529
<b>HIT250B</b>	068-0250-JF1	068-0250-JF2	068-0250-JF3	068-0250-JF4	152-529
<b>HIT315</b>	068-0315-JF1	068-0315-JF2	068-0315-JF3	068-0315-JF4	152-529
<b>HIT315B</b>	068-0315-JF1	068-0315-JF2	068-0315-JF3	068-0315-JF4	152-529

Elta Fans Limited has a policy of continuous product development and improvement and therefore reserves the right to supply products which may differ from those illustrated and described in this publication. Confirmation of dimensions and data will be supplied on request.



---

## Applied Technology

**Tel:** +44 (0) 1489 566500  
**Fax:** +44 (0) 1489 566555  
**Email:** at@eltofans.co.uk

17 Barnes Wallis Road,  
Segensworth East Industrial  
Estate, Fareham, Hampshire,  
PO15 5ST United Kingdom

## Building Services

**Tel:** +44 (0) 1384 275800  
**Fax:** +44 (0) 1384 275810  
**Email:** bs@eltofans.co.uk

46 Third Avenue,  
Pensnett Trading Estate,  
Kingswinford, West Midlands,  
DY6 7US United Kingdom

## Export

**Tel:** +44 (0) 1489 566500  
**Fax:** +44 (0) 1489 566555  
**Email:** export@eltofans.co.uk

17 Barnes Wallis Road,  
Segensworth East Industrial  
Estate, Fareham, Hampshire,  
PO15 5ST United Kingdom

---

[www.eltofans.com](http://www.eltofans.com)



BS EN ISO 9001:2008 FM 556465

