



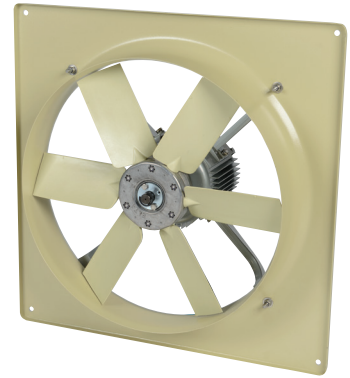
# HXP

Plate Mounted Axial Flow Fan

# HXP

## Product Overview

- 6 standard sizes, 17 models from 450mm to 800mm
- Air volume flow rates up to 5.45 m<sup>3</sup>/s
- Static pressures up to 142 Pa
- Suitable for operating temperatures up to +70°C or when under speed control +55°C
- Available in **AC**



**With a heavy duty construction, the HXP range is a high quality, hard working range of propeller fans designed to pass large volumes of air with higher efficiencies to conform to current European ErP legislation. HXP Fans have a highly efficient and robust motor, suitable for speed control, with proven reliability for long life and trouble free operation.**

### Casing

The all metal fan casing provide a long lasting and robust construction. The units have been constructed from mild steel and suitably treated to ensure full corrosion protection. Fan plates shall have a powder coated polyester epoxy paint finish in pastel beige (RAL 7032).

### Impeller

Adjustable pitch aerofoil impellers are provided with blades made from high quality GRP. Impellers are factory set at an angle to provide maximum performance. The hubs are manufactured from die cast aluminium alloy (LM24). Assembled impellers are to be dynamically balanced to ISO 14694 Grade G6.3.

### Motors

Cool running TENV motors constructed with a finned aluminium casing to give excellent heat dissipation and increased lifecycle.

### Electrical

Units are suitable for single phase 220 to 240V / 50Hz and three phase 380V to 415V / 50Hz operation.

### Warranty

All HXP units have a 12 month warranty.

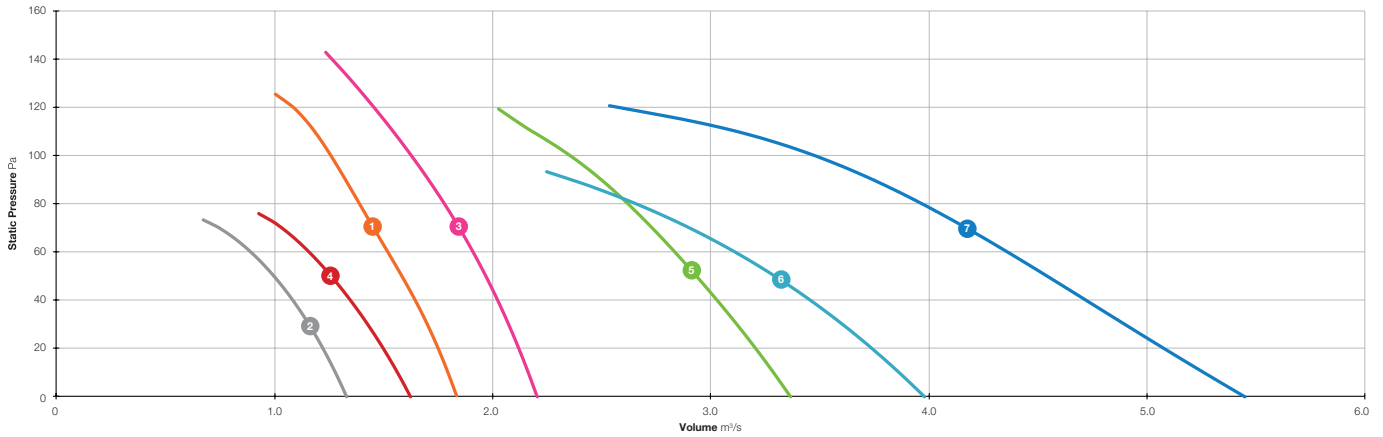
### Contents

Page	Information
3	Performance Range Curves
4	Performance SFP & Electrical Data
6	Sound Data
8	Dimensional Data
9	Accessories
10	Notes

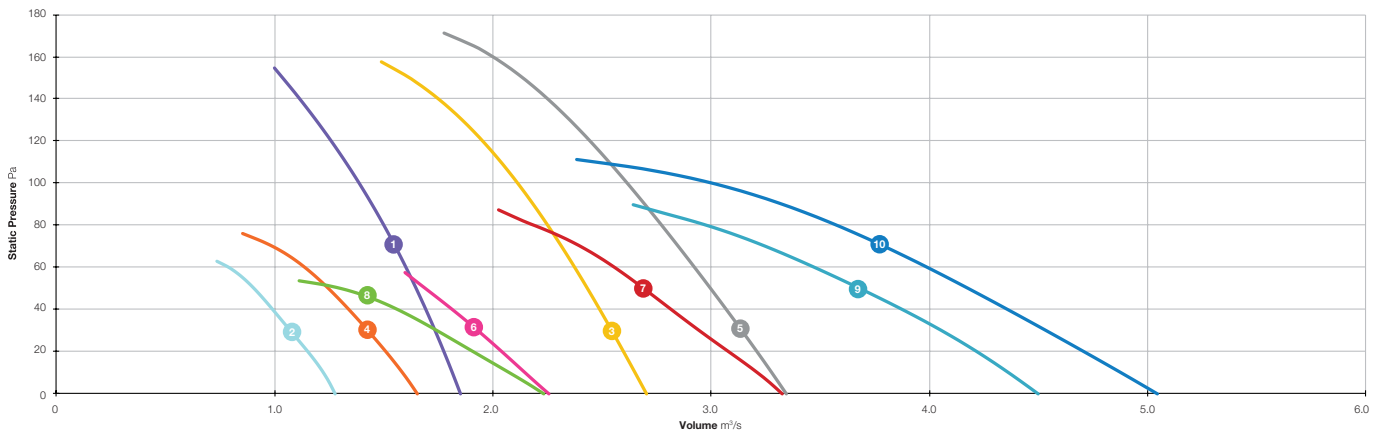
### Product Coding

Code	Reference
<b>HXP</b>	Product Range
<b>450</b>	Diameter (450/500/560...)
<b>4</b>	Number of Poles (2/4/6)
<b>1</b>	Voltage Supply (Single Phase / Three Phase)
<b>A / B</b>	A or B Airflow
e.g.	<b>HXP45041A</b>

## Performance Range Curves



- |                   |                   |                   |
|-------------------|-------------------|-------------------|
| <b>1</b> HXP45041 | <b>4</b> HXP50061 | <b>7</b> HXP80061 |
| <b>2</b> HXP45061 | <b>5</b> HXP63061 |                   |
| <b>3</b> HXP50041 | <b>6</b> HXP71061 |                   |



- |                   |                   |                    |
|-------------------|-------------------|--------------------|
| <b>1</b> HXP45043 | <b>5</b> HXP56043 | <b>9</b> HXP71063  |
| <b>2</b> HXP45063 | <b>6</b> HXP56063 | <b>10</b> HXP80063 |
| <b>3</b> HXP50043 | <b>7</b> HXP63063 |                    |
| <b>4</b> HXP50063 | <b>8</b> HXP63083 |                    |

## Performance, SFP & Electrical Data

Single Phase 220V to 240V / 50Hz

Product Code	Speed r/min	Airflow SFP	Airflow m <sup>3</sup> /s @ Static Pressure Pa					At Best Efficiency Point			Electrical Data	dBA @ 3m	
			0	25	50	75	100	Overall Eff %	FMEG N	Input kW	Peak Amps		
HXP45041#	1347	m <sup>3</sup> /s	1.835	1.725	1.582	1.419	1.256	32.1	40	0.407	1.91	Inlet	54
		W/(L/s)	0.22	0.23	0.26	0.29	0.32					Outlet	58
HXP45061#	962	m <sup>3</sup> /s	1.329	1.190	0.996	-	-	29.3	40	0.184	1.40	Inlet	50
		W/(L/s)	0.12	0.15	0.18	-	-					Outlet	49
HXP50041#	1379	m <sup>3</sup> /s	2.204	2.097	1.968	1.813	1.626	32.8	40	0.539	2.53	Inlet	54
		W/(L/s)	0.20	0.22	0.25	0.28	0.32					Outlet	54
HXP50061#	954	m <sup>3</sup> /s	1.623	1.463	1.257	0.941	-	35.0	45	0.206	1.40	Inlet	45
		W/(L/s)	0.11	0.13	0.16	0.22	-					Outlet	44
HXP63061#	924	m <sup>3</sup> /s	3.365	3.163	2.934	2.677	2.355	37.0	44	0.653	3.12	Inlet	57
		W/(L/s)	0.16	0.18	0.21	0.24	0.28					Outlet	56
HXP71061#	913	m <sup>3</sup> /s	3.982	3.675	3.294	2.784	-	32.6	40	0.655	3.11	Inlet	63
		W/(L/s)	0.16	0.17	0.20	0.24	-					Outlet	62
HXP80061#	914	m <sup>3</sup> /s	5.450	4.989	4.544	4.073	3.477	36.3	42	0.959	4.22	Inlet	58
		W/(L/s)	0.16	0.18	0.21	0.24	0.28					Outlet	58

Data provided is at standard air density of 1.2 kg/m<sup>3</sup>.

Overall static efficiency, r/min and FMEG values are per ISO 12759. Installation Category A.

Peak Amps @ 230V / 1PH / 50Hz.

The overall A-weighted sound pressure level is at a distance of 3m with spherical free-field propagation. It is expressed in dB re-20μPa and is presented for comparative purposes only.

# Add A or B for airflow.

## Performance, SFP & Electrical Data

Three Phase 380V to 415V / 50Hz

Product Code	Speed r/min	Airflow SFP	Airflow m <sup>3</sup> /s @ Static Pressure Pa						At Best Efficiency Point			Electrical Data		dBA @ 3m	
			0	25	50	75	100	150	Overall Eff %	FMEG	Input kW	Peak Amps			
HXP45043#	1435	m <sup>3</sup> /s	<b>1.850</b>	<b>1.754</b>	<b>1.647</b>	<b>1.526</b>	<b>1.387</b>	<b>1.037</b>	36.3	44	0.431	1.80	Inlet	57	
		W/(L/s)	0.19	0.21	0.23	0.26	0.30	0.42					Outlet	56	
HXP45063#	945	m <sup>3</sup> /s	<b>1.276</b>	<b>1.111</b>	<b>0.904</b>	-	-	-	29.5	40	0.161	0.90	Inlet	49	
		W/(L/s)	0.11	0.14	0.18	-	-	-					Outlet	48	
HXP50043#	1372	m <sup>3</sup> /s	<b>2.701</b>	<b>2.569</b>	<b>2.431</b>	<b>2.281</b>	<b>2.111</b>	<b>1.616</b>	34.6	41	0.707	1.36	Inlet	57	
		W/(L/s)	0.24	0.26	0.28	0.30	0.33	0.44					Outlet	57	
HXP50063#	926	m <sup>3</sup> /s	<b>1.654</b>	<b>1.469</b>	<b>1.246</b>	<b>0.879</b>	-	-	33.4	44	0.209	0.68	Inlet	46	
		W/(L/s)	0.11	0.13	0.16	0.23	-	-					Outlet	46	
HXP56043#	1322	m <sup>3</sup> /s	<b>3.344</b>	<b>3.175</b>	<b>2.996</b>	<b>2.810</b>	<b>2.614</b>	<b>2.134</b>	35.6	42	0.900	1.60	Inlet	58	
		W/(L/s)	0.23	0.25	0.28	0.31	0.34	0.42					Outlet	58	
HXP56063#	872	m <sup>3</sup> /s	<b>2.254</b>	<b>1.985</b>	<b>1.689</b>	-	-	-	31.5	41	0.291	0.74	Inlet	47	
		W/(L/s)	0.12	0.14	0.17	-	-	-					Outlet	47	
HXP63063#	912	m <sup>3</sup> /s	<b>3.323</b>	<b>3.010</b>	<b>2.689</b>	<b>2.301</b>	-	-	36.6	44	0.483	1.21	Inlet	57	
		W/(L/s)	0.14	0.16	0.18	0.21	-	-					Outlet	56	
HXP63083#	688	m <sup>3</sup> /s	<b>2.233</b>	<b>1.826</b>	<b>1.296</b>	-	-	-	29.7	40	0.221	0.77	Inlet	48	
		W/(L/s)	0.09	0.12	0.17	-	-	-					Outlet	47	
HXP71063#	862	m <sup>3</sup> /s	<b>4.498</b>	<b>4.138</b>	<b>3.678</b>	<b>3.117</b>	-	-	35.4	42	0.672	1.41	Inlet	62	
		W/(L/s)	0.14	0.16	0.19	0.22	-	-					Outlet	61	
HXP80063#	896	m <sup>3</sup> /s	<b>5.042</b>	<b>4.620</b>	<b>4.177</b>	<b>3.687</b>	<b>3.007</b>	-	42.0	49	0.720	1.54	Inlet	56	
		W/(L/s)	0.12	0.14	0.17	0.20	0.24	-					Outlet	55	

Data provided is at standard air density of 1.2 kg/m<sup>3</sup>.

Overall static efficiency, r/min and FMEG values are per ISO 12759. Installation Category A.

Peak Amps @ 400V / 3PH / 50Hz.

The overall A-weighted sound pressure level is at a distance of 3m with spherical free-field propagation. It is expressed in dB re-20µPa and is presented for comparative purposes only.

# Add A or B for airflow.

### Single Phase 220V to 240V / 50Hz

Product Code	Speed r/min		Sound Power Level dBW @ Octave Band Hz								Total dB
			63Hz	125Hz	250Hz	500Hz	1kHz	2kHz	4kHz	8kHz	
HXP45041#	1347	Inlet	73	73	72	70	70	68	64	56	79
		Outlet	80	83	81	77	72	70	66	58	87
HXP45061#	962	Inlet	68	65	66	66	65	65	61	59	74
		Outlet	70	65	64	64	64	63	61	62	74
HXP50041#	1379	Inlet	69	77	69	68	70	69	67	60	79
		Outlet	71	77	68	68	69	69	66	62	79
HXP50061#	954	Inlet	59	67	59	58	60	59	57	50	70
		Outlet	61	67	58	58	59	59	56	52	70
HXP63061#	924	Inlet	74	77	72	74	72	71	69	65	82
		Outlet	77	77	70	73	71	70	68	67	82
HXP71061#	913	Inlet	78	82	80	78	78	76	74	70	87
		Outlet	82	82	78	78	77	75	73	72	88
HXP80061#	914	Inlet	80	73	71	76	73	73	70	63	83
		Outlet	77	73	70	75	72	71	70	66	82

Data provided at standard air density of 1.2 kg/m<sup>3</sup>.  
 Tests and preparation of the sound data have been carried out in accordance with BS 848 Part 2:1985 at 50% peak pressure.  
 The Sound Power Level Spectra are in dB re-1pW.  
 # Add A or B for airflow.

### Three Phase 380V to 415V / 50Hz

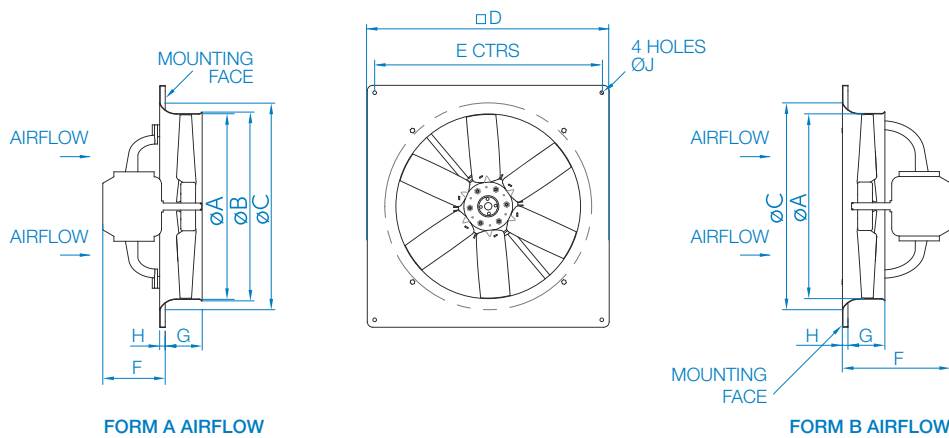
Product Code	Speed r/min		Sound Power Level dBW @ Octave Band Hz								Total dB
			63Hz	125Hz	250Hz	500Hz	1kHz	2kHz	4kHz	8kHz	
HXP45043#	1435	Inlet	75	70	74	73	72	71	67	64	81
		Outlet	75	69	74	71	71	71	68	67	81
HXP45063#	945	Inlet	67	63	66	65	64	63	59	57	73
		Outlet	68	62	65	63	63	63	60	60	73
HXP50043#	1372	Inlet	74	79	72	73	73	71	69	65	82
		Outlet	76	79	72	74	72	72	69	67	83
HXP50063#	926	Inlet	61	68	60	60	61	60	58	52	71
		Outlet	63	68	60	60	60	60	57	54	71
HXP56043#	1322	Inlet	77	79	74	74	73	72	71	67	84
		Outlet	79	79	73	73	72	72	71	68	84
HXP56063#	872	Inlet	66	68	63	63	62	62	61	56	72
		Outlet	68	68	62	62	61	62	60	57	73
HXP63063#	912	Inlet	75	77	72	74	72	71	68	65	82
		Outlet	78	77	70	72	71	70	68	67	82
HXP63083#	688	Inlet	64	67	63	65	63	62	60	56	72
		Outlet	67	67	60	64	61	61	59	57	72
HXP71063#	862	Inlet	78	82	80	78	78	76	74	70	87
		Outlet	82	82	78	78	77	75	73	72	87
HXP80063#	896	Inlet	78	71	69	72	72	72	69	60	81
		Outlet	75	71	68	70	71	70	68	62	79

Data provided at standard air density of 1.2 kg/m<sup>3</sup>.  
 Tests and preparation of the sound data have been carried out in accordance with BS 848 Part 2:1985 at 50% peak pressure.  
 The Sound Power Level Spectra are in dB re-1pW.  
 # Add A or B for airflow.

## Dimensional Data

### Single & Three Phase

Product Code	A	B	C	D	E	F(A)	F(B)	G	H	J	Weight kg
HXP45041	450	462	500	575	535	157	269	95	15	10	15
HXP45043	450	462	500	575	535	186	299	95	15	10	15
HXP45061	450	462	500	575	535	173	286	95	15	10	15
HXP45063	450	462	500	575	535	173	286	95	15	10	15
HXP50041	500	512	560	655	615	182	305	100	15	10	19
HXP50043	500	512	560	655	615	182	305	100	15	10	19
HXP50061	500	512	560	655	615	169	293	100	15	10	20
HXP50063	500	512	560	655	615	169	293	100	15	10	20
HXP56043	560	577	620	725	670	182	321	100	15	10	22
HXP56063	560	577	620	725	670	169	323	100	15	10	22
HXP63061	630	647	700	805	750	189	328	105	20	10	30
HXP63063	630	647	700	805	750	189	328	105	20	10	30
HXP63083	630	647	700	805	750	187	326	105	20	10	30
HXP71061	710	725	765	850	810	204	341	103	27	10	30
HXP71063	710	725	765	850	810	191	328	103	27	10	30
HXP80061	800	817	880	973	910	202	353	105	30	10	35
HXP80063	800	817	880	973	910	202	354	105	30	10	35



Dimensions are in mm.



### Single Phase

Product Code	AC Electronic Controller	Eltadrive Variable Speed Drive 1PH-3PH IP66	Louvre Shutter	Transformer Controller
<a href="#">HXP45041#</a>	149-EL31	149-ODE3-12075-1KB1Y	064-0450-C	149-TC14
<a href="#">HXP45061#</a>	-	149-ODE3-12075-1KB1Y	064-0450-C	-
<a href="#">HXP50041#</a>	149-EL31	149-ODE3-12075-1KB1Y	064-0500-C	149-TC14
<a href="#">HXP50061#</a>	-	149-ODE3-12075-1KB1Y	064-0500-C	-
<a href="#">HXP63061#</a>	149-EL61	149-ODE3-12075-1KB1Y	064-0630-C	149-TC14
<a href="#">HXP71061#</a>	-	149-ODE3-12150-1KB1Y	-	-
<a href="#">HXP80061#</a>	-	149-ODE3-12150-1KB1Y	-	-

### Three Phase

Product Code	Eltadrive Variable Speed Drive 1PH-3PH IP66	Eltadrive Variable Speed Drive 3PH-3PH IP66	Louvre Shutter	Transformer Controller
<a href="#">HXP45043#</a>	149-ODE3-12037-1KB1Y	149-ODE3-14075-3KA1Y	064-0450-C	149-TC33
<a href="#">HXP45063#</a>	149-ODE3-12037-1KB1Y	149-ODE3-14075-3KA1Y	064-0450-C	149-TC33
<a href="#">HXP50043#</a>	149-ODE3-12037-1KB1Y	149-ODE3-14075-3KA1Y	064-0500-C	149-TC33
<a href="#">HXP50063#</a>	149-ODE3-12037-1KB1Y	149-ODE3-14075-3KA1Y	064-0500-C	149-TC33
<a href="#">HXP56043#</a>	149-ODE3-12037-1KB1Y	149-ODE3-14075-3KA1Y	064-0560-C	149-TC33
<a href="#">HXP56063#</a>	149-ODE3-12037-1KB1Y	149-ODE3-14075-3KA1Y	064-0560-C	149-TC33
<a href="#">HXP63063#</a>	149-ODE3-12037-1KB1Y	149-ODE3-14075-3KA1Y	064-0630-C	149-TC33
<a href="#">HXP63083#</a>	149-ODE3-12037-1KB1Y	149-ODE3-14075-3KA1Y	064-0630-C	149-TC33
<a href="#">HXP71063#</a>	149-ODE3-12037-1KB1Y	149-ODE3-14075-3KA1Y	-	149-TC33
<a href="#">HXP80063#</a>	149-ODE3-12037-1KB1Y	149-ODE3-14075-3KA1Y	-	149-TC33

# Add A or B for airflow.

# AC ELECTRONIC CONTROLLER

## Accessories

- Stepless speed control allows precise fan speed selection
- Provides easy adjustment of fan duty for commissioning purposes
- TK versions offer means of motor protection via motor thermal contact
- IP51 enclosure
- Stepless speed control
- Minimum and maximum speed pre-set facility
- Suitable for operating temperatures up to 40°C
- Fitted motor protection fuse
- Suitable for two or three wire control

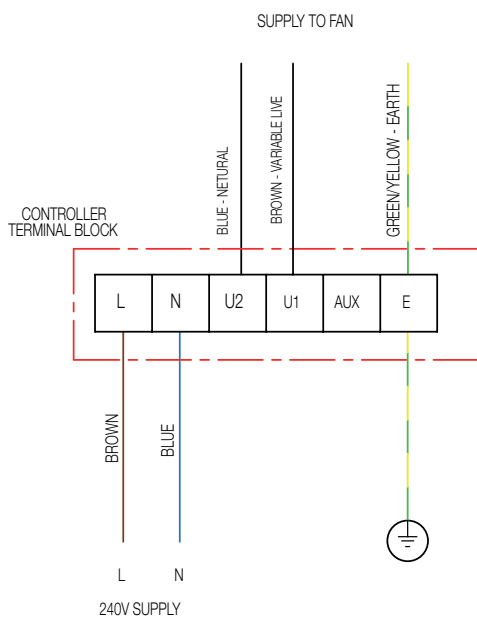


### Overview

TK versions are for use with fans fitted with thermal cut-out protection. In the event of the thermal cut-out, opening the controller will switch off and the trip indicator will be illuminated. Units are complete with illuminated on/off and start button. The start button must be pressed to start the controller once on/off switch is in the on position.

### Single Phase 220V to 240V / 50Hz

Product Code	Max Peak Current Amps	Weight kg	IP Rating
<a href="#">149-EL31</a>	3	0.35	IP51
<a href="#">149-EL61</a>	6	0.40	IP51



For controllers with TK function add suffix TK.

# ELTADRIVE VARIABLE SPEED DRIVES

## IP66

- Up to 7.5kW
- Conformal coating as standard
- Switched or Non-Switched

### Overview

Enclosed drives for direct machine mounting, dust-tight and ready for washdown duty.

### Dust Tight Design

Install directly on your processing equipment and be sure of protection from dust and contaminants.

### Washdown Ready

With a sealed ABS enclosure and corrosion resistant heatsink, the Eltadrive E3 IP66 is ideal for high-pressure washdown applications.

### Eltadrive E3 IP66 Switched

Simply wire up the drive, turn the inbuilt potentiometer and the motor will start running - allowing immediate energy savings.

### Coated Heatsink as Standard

Ideal for hygiene based operations requiring washdown such as food & beverage.

### Fanless Heatsink

For reliable, cost effective operation.

### Local Speed Potentiometer

### Run Reverse / Off / Run Forward Switch

### Lockable Mains

Disconnect / Isolator.

### Dimensional Data

Model	Size	Height	Width	Depth	Weight kg	Fixings
IP66	1	232	161	179	3.1	4 x M4
	2	257	188	187	4.1	4 x M4
	3	310	211	252	7.6	4 x M4

Dimensions in mm.

Elta Fans Limited has a policy of continuous product development and improvement and therefore reserves the right to supply products which may differ from those illustrated and described in this publication. Confirmation of dimensions and data will be supplied on request.



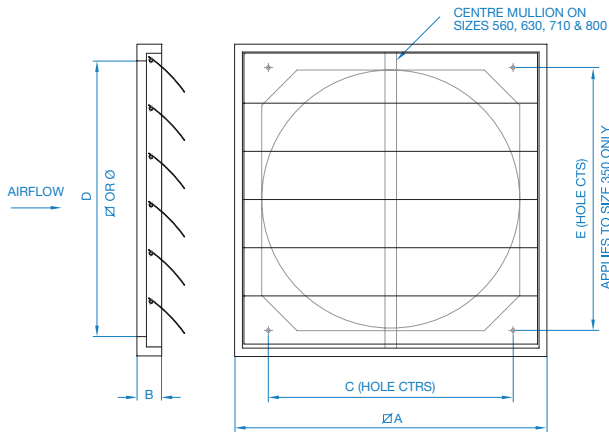
# LOUVRE SHUTTER

## Accessories

- Durable, light grey polypropylene
- Opens automatically with airflow
- Mount independently of fan (ideally downstream)



Product Code	A	B	C	øD	∅ D	E	Weight kg
064-0450-C	502	30	404	460	-	-	1.5
064-0500-C	548	30	452	510	-	-	2.0
064-0560-C	610	30	530	-	568	-	2.0
064-0630-C	696	30	627	-	655	-	3.0



Dimensions are in mm.

# TRANSFORMER CONTROLLER

## Accessories

- IP40 enclosure
- Five speed stepped control
- Illuminated on/off switch (single phase units only)
- Fitted Motor Protection type D MCB (single phase units only)
- Suitable for operating temperatures up to 40°C
- Ideal for environments where noise is a primary consideration as these controls do not create magnetic hum associated with some step-less forms of speed control



### Features & Benefits

A range of transformer voltage controllers used to provide five speed step control of single phase or three phase motors where the peak current of the motor does not exceed the rating of the controller. Speed control is via selector switch. Single phase units are complete with illuminated on/off switch.

#### Single Phase 220V to 240V / 50Hz

Product Code	Max Peak Current Amps	Weight kg	IP Rating
149-TC14	4	4	IP40

#### Three Phase 380V to 415V / 50Hz

Product Code	Max Peak Current Amps	Weight kg	IP Rating
149-TC33	3	12	IP40





## Building Services

Tel **+44 (0) 1384 275800**  
Fax **+44 (0) 1384 275810**  
Email **info@eltafans.co.uk**

46 Third Avenue, Pensnett Trading Estate, Kingswinford,  
West Midlands, DY6 7US United Kingdom

## Applied Technology & Building Services Export

Tel **+44 (0) 1489 566500**  
Fax **+44 (0) 1489 566555**  
Email **at@eltafans.co.uk / export@eltafans.co.uk**

17 Barnes Wallis Road, Segensworth East Industrial Estate,  
Fareham, Hampshire, PO15 5ST United Kingdom

**eltafans.com**

HXP-11-2018 Issue A



BS EN ISO 9001:2015 FM 556465

