

■ Specification for all models

□ Casing

Manufactured in galvanised sheet steel.

□ Impeller

Highly efficient, profiled blade impeller, dynamically balanced and manufactured from impact resistant polymers. Suitable for -30 to +60 °C. Deviation for ex-models.

□ Motor

Totally enclosed motor with a die-cast aluminium casing, protected to IP 55. Ball bearing mounted. Maintenance-free and interference-free. Humidity protection of windings. For maximum air flow temperature see table below. Deviation for ex-models.

□ Motor protection

All models (except/8/4 and explosion proof) have thermal contacts as standard which must be connected to a motor protection unit (see below) for effective motor protection. Motors without thermal contacts must be protected by a conventional circuit breaker.

□ Electrical connection

Terminal box (IP 55) mounted on motor as standard. Also on outside of piping for HRF. Deviation for ex-models.

□ Guard

Powder-coated steel wire for HQ and HW (HQ.. Ex galvanised) according to DIN EN ISO 13857.

□ Speed control

For all speed controllable models the current are identified with a value in the "speed controlled" column of the table below which must be used when selecting a controller. Possible allocations of frequency inverters are specified in the table below. The planned use of a frequency inverter without Sine filter must be stated when ordering. This requires a change of fan design and potential additional costs. The air flow rates are shown in the performance curves.

□ Reversed operation

All models are reversible when wired to a reversing switch. For reverse air flow directional-low a loss in performance of approx. 1/3.

□ Installation

Installation in any position. Ensure that the motor drainage holes face downwards.

□ Dimensions

Pole-switch and explosion proof models may deviate from the information above.

□ Sound levels

See characteristic curve. The sound power and sound pressure are specified at 4 m distances under free field conditions, for average operating point suction/pressure side. See page 10 on for sound emission and acoustics. Deviation for ex-models.

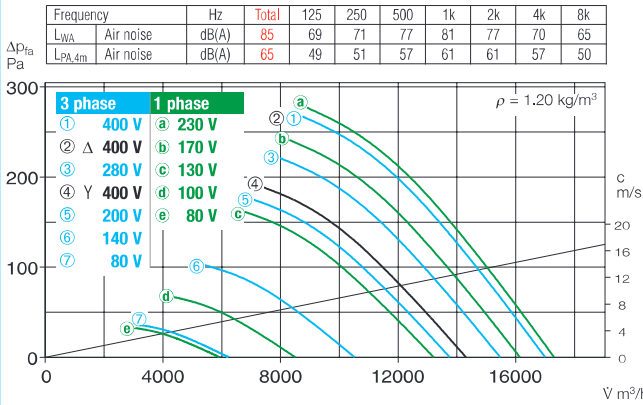
R.P.M.	Air flow volume (FID)	Motor power (nominal)*	Current*		Wiring diagram	max. air flow temp.		Weight net	Model						Transformer controller for 5 speed pole switch	
			standard-supply	max. controlled		standard supply	speed controlled		HQ incl. guard	Ref. no.	HW incl. guard	Ref. no.	HRF	Ref. no.	Model	Ref. no.
min ⁻¹	∇ m ³ /h	kW	A	A	No.	+°C	+°C	kg								
1 Phase motor, 230 Volt / 50 Hz, capacitor motor, protection to IP 55																
950	10530	0.44	2.16	3.20	475	60	40	28.0	HQW 630/6	5037	—	—	—	—	MWS 3 ¹⁾	1948
1325	16210	1.50*	8.40*	7.00	964	40	—	40.0	HQW 630/4	5056	—	—	HRFW 630/4	5057	MWS 7,5 ¹⁾	1950
3 Phase motor, 400 Volt / 50 Hz, squirrel cage motor protection to IP 55																
710	7810	0.20	0.66	0.70	469	40	40	27.0	HQD 630/8	5029	—	—	—	—	RDS 2 ¹⁾	1315
960	10560	0.44	1.22	—	469	60	40	30.5	HQD 630/6	5027	HWD 630/6	1032	HRFD 630/6	0244	RDS 2 ¹⁾	1315
Two-speed, 3 ph., 400 V, 50 Hz, Y/Δ switch, protection to IP 55																
1170/1390	14310/17000	0.90/1.57	2.3/3.8	—	520	40	—	37.5	HQD 630/4/4	5030	HWD 630/4/4	1033	HRFD 630/4/4	0245	RDS 4 ¹⁾	1316
2 speed motor, pole-switching, Dahlander windings, 400 Volt, 50 Hz, protection to IP 55																
440/935	5290/10470	0.14/0.43	0.60/1.13	—	472	60	—	41.0	HQD 630/12/6	5031	—	—	HRFD 630/12/6	0410	PDA 12 ²⁾	5081
690/1400	7990/15990	0.37/1.50*	1.33/3.70*	—	471	40	—	40.5	HQD 630/8/4	5032	—	—	HRFD 630/8/4	0411	PDA 12 ²⁾	5081
Explosion proof Ex e II, 3 ph., 400 Volt, 50 Hz, protection to IP 55, temp. class T1-T3																
910	10480	0.55*	1.75*	—	470	40	—	30.0	HQD 630/6 Ex	5035	—	—	HRFD 630/6 Ex	0494	not permitted	
1410	17730	1.35*	3.10*	—	470	40	—	35.0	HQD 630/4 Ex	5036	—	—	HRFD 630/4 Ex	0495	not permitted	

* Ex-models: for nominal value of motor see information on page 16

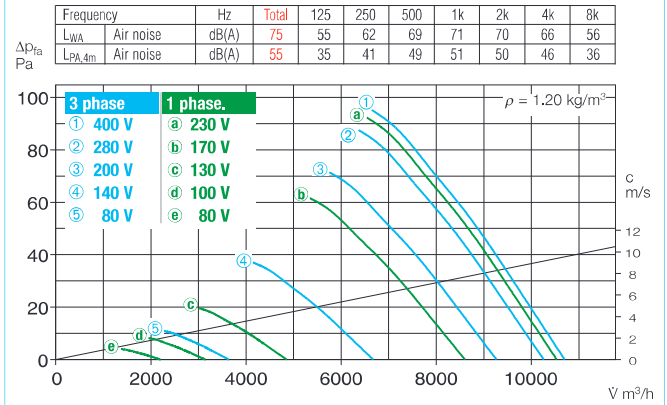
¹⁾ Incl. full motor protection

²⁾ see switch product page for flush mounted version

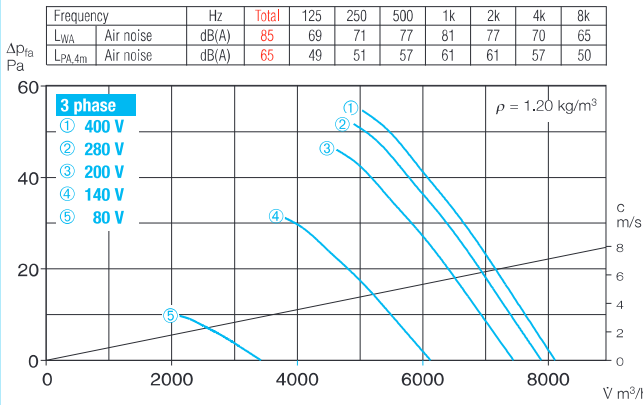
630/4



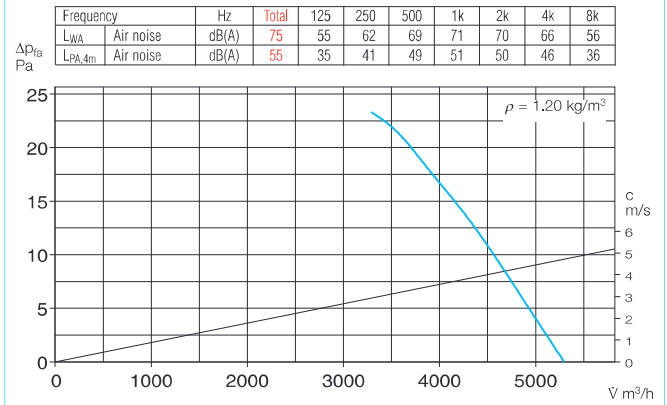
630/6



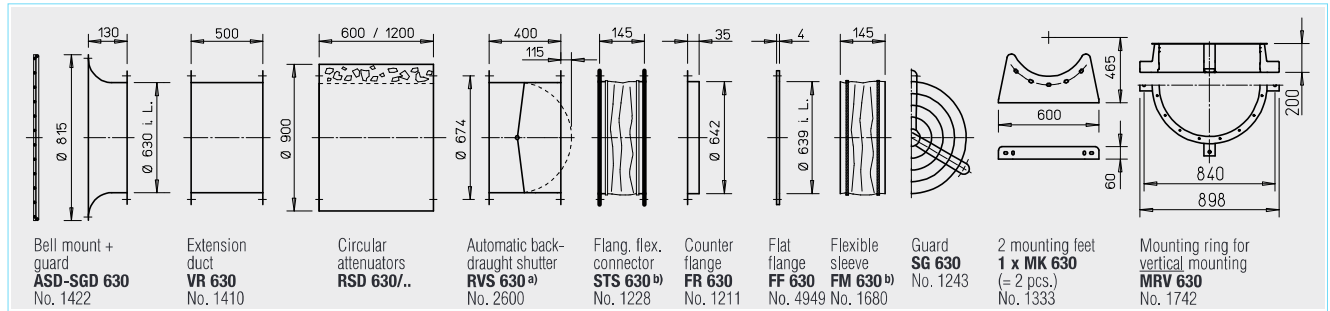
630/8



630/12



Accessories for HRF Description see page 230 on



^{a)} For motorised shutters see accessory page

^{b)} Models for ex-proof fans see below

Frequency inverter with integrated Sine filter		Electronic controller, stepless flush/surf.		Full motor protection for connection of integrated thermal contacts		Reversing switch	
Model	Ref. no.	Model	Ref. no.	Model	Ref. no.	Model	Ref. no.
—	—	ESU 5/ESA 5	1296/1299	MW	1579	WS	1271
—	—	—	—	MW	1579	WS	1271
FU-BS 2,5 ¹⁾	5459	ESD 5 ¹⁾	0501	MD	5849	WS	1271
FU-BS 2,5 ¹⁾	5459	ESD 5 ¹⁾	0501	MD	5849	WS	1271
FU-BS 5,0 ¹⁾	5460	ESD 5 ¹⁾	0501	M 4 ³⁾	1571	WS	1271
—	—	—	—	M 3 ³⁾	1293	PWDA	1282
—	—	—	—	M 3 ³⁾	1293	PWDA	1282
—	—	not permitted	—	—	—	—	—
—	—	not permitted	—	—	—	—	—

³⁾ Incl. pole switch

Information	Page	Other accessories	Page
Techn. description	140	^{b)} Accessories for explosion proof fans	
Selection chart	141	Flanged flexible connector	
Information for planning	10 on	Type STS 630 Ex	Ref. no. 2509
		Flexible sleeve	
		Type FM 630 Ex	Ref. no. 1696
		Attenuators	434 on
		Shutter and grilles	487 on
		Speed controllers and switches	525 on
		Note the technical information on page 15 on.	