



JETLINE

5145895800 - JETLINE-150 (220/240V50/60HZ) N8 - IN LINE DUCT FANS



In-line fan for circular duct with low profile compact casing manufactured from galvanised sheet steel and rubber gasket on the flanges. High performance impeller, guide vane and outlet diffuser manufactured from injection-moulded plastic, to increase performances and lower the sound level. IP55 terminal box fixed on the casing.

Mounting bracket supplied with the fan, enabling to mount the fan in two different positions and any shaft orientation

Motor

Single-phase external rotor motor assembled with antivibration mount to reduce vibration and noise level, 220-240V50/60Hz, IP44, class F, with thermal protection and speed regulable by tension.

Working temperature -20/60°C

Model JETLINE-150 (220/240V50/60HZ) N8.

Theoretical Working Point

Airflow	-
Static Pressure	0,000 Pa
Temperature	20 °C
Altitude	0 m
Density	1,2 kg/m ³
Frequency	50 Hz

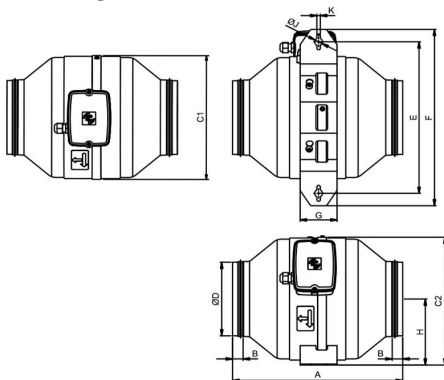
Construction

Discharge diameter	150 mm
Fan size	150

Motor Characteristics

Number of poles	2
Voltage	1-230V-50Hz
Maximum absorbed current	0,4 A
IP Rating	IP44
Motor insulation class	F

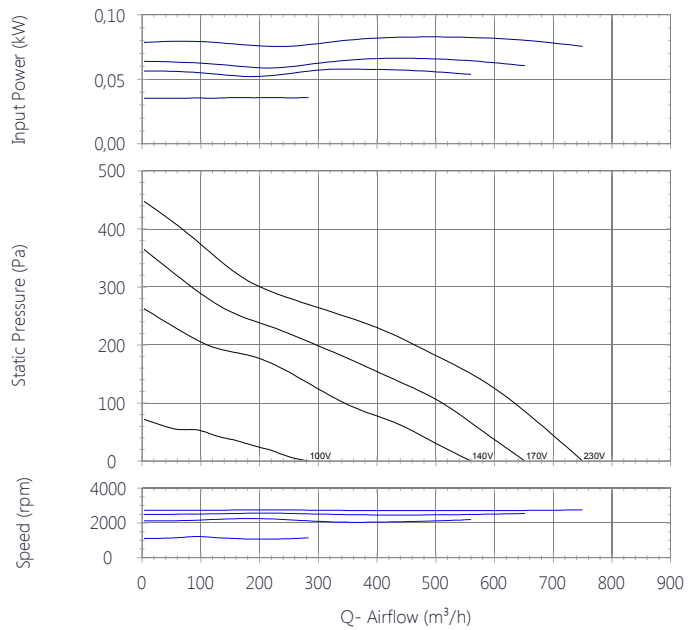
Drawing



A	B	C1	C2	øD	E	F	G	H
323	20	243.5	252	145	298.5	348	70	130

øJ	K
15	6.5

Performance Chart



Sound Performance

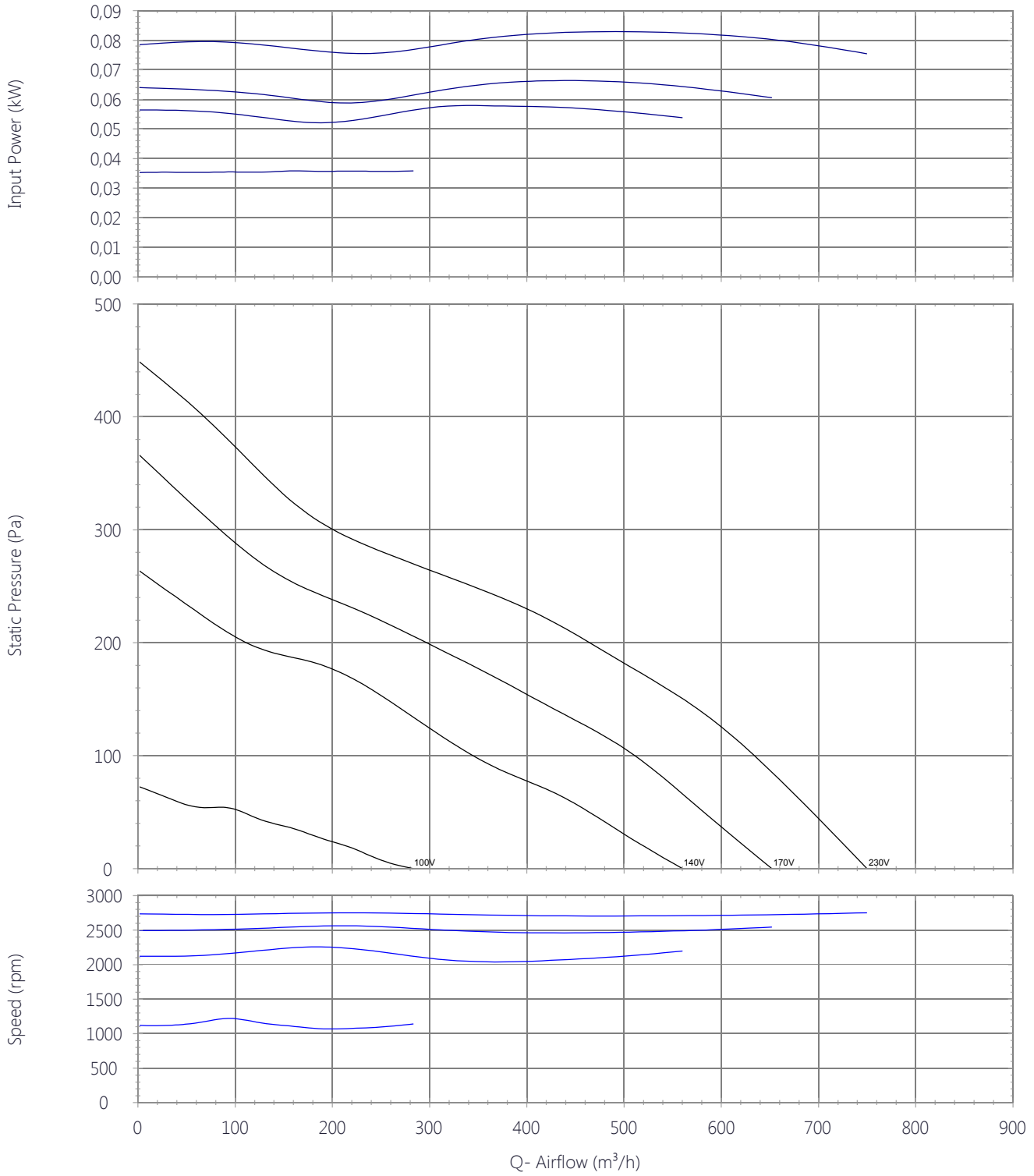
	63	125	250	500	1k	2k	4k	8k	Overall
Inlet (LwA)	29	40	58	62	59	61	59	50	67
Inlet LpA @ 1m	18	29	47	51	48	50	48	39	56
Outlet (LwA)	40	43	57	62	59	59	57	46	66
Outlet LpA @ 1m	29	32	46	51	48	48	46	35	55
Breakout (LwA)	14	27	34	39	39	41	42	33	47
Breakout LpA @ 1m	3	16	23	28	28	30	31	22	36



Q=1



Performance Chart

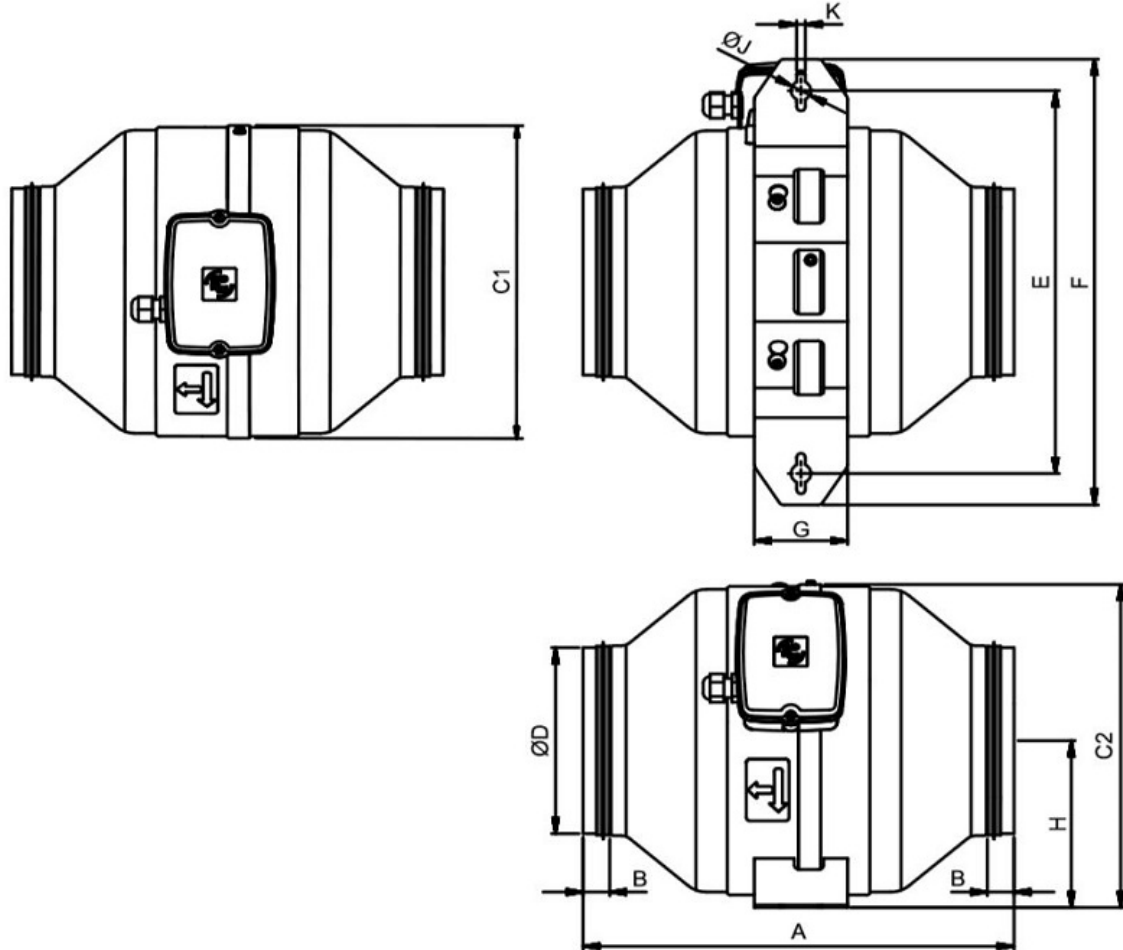




JETLINE

5145895800 - JETLINE-150 (220/240V50/60HZ) N8 - IN LINE DUCT FANS

Drawing



A	B	C1	C2	øD	E	F	G	H	øJ	K
323	20	243.5	252	145	298.5	348	70	130	15	6.5

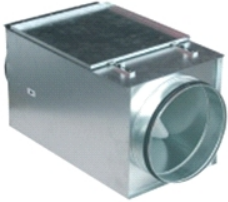


JETLINE

5145895800 - JETLINE-150 (220/240V50/60HZ) N8 - IN LINE DUCT FANS

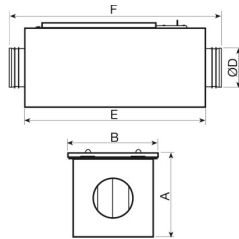
Accessories

5416744800 - MFL-150 F



Box in galvanized steel for inserting the MFR F5, F6 and F7 filters. Fitted with inlet and discharge circular duct connection flanges with integrated rubber air seal and an inspection cover easy to open for maintaining the filters.

Dimensions



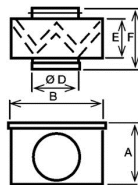
A	B	D	E	F
213	220	150	450	522

5416589900 - MFL-150 G4



MFL filtration boxes are of G4 grade filtration and are designed for direct connection with standard circular ducting. The MFL-G4 filtration boxes are supplied with a cover easily removable to replace the filter.

Dimensions



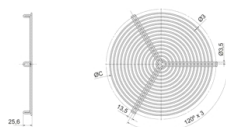
A	B	D	E	F
206	229	150	154	218

5145806500 - DEF-VENT-150



OUTLET WIRE PROTECTION GUARD

Dimensions



NW

150



JETLINE

5145895800 - JETLINE-150 (220/240V50/60HZ) N8 - IN LINE DUCT FANS

5145825500 - ACOP-VENT-150 (V977503)



FLEXIBLE CONNECTOR



JETLINE

5145895800 - JETLINE-150 (220/240V50/60HZ) N8 - IN LINE DUCT FANS

Sound Performance

	63	125	250	500	1k	2k	4k	8k	Overall
Inlet (LwA)	29	40	58	62	59	61	59	50	67
Inlet LpA @ 1m	18	29	47	51	48	50	48	39	56
Outlet (LwA)	40	43	57	62	59	59	57	46	66
Outlet LpA @ 1m	29	32	46	51	48	48	46	35	55
Breakout (LwA)	14	27	34	39	39	41	42	33	47
Breakout LpA @ 1m	3	16	23	28	28	30	31	22	36





ErP Data

Ecodesign	
Commission regulation (EU) N°1253/2014 of July 2014	
Information requirements (Annex V)	
Product description	JETLINE-150 (220/240V50/60HZ) N8
Manufacturer's Info	S&P ES-08150 CIF-B64911928
Identifier	-
Typology	NRVU unidirectional
Drive	VSD
Type of HRC	None
Thermal efficiency (%)	0
Qnom (m3/s)	0,12
Pelec (kW)	0,08
SFPint (W/m3/s)	
Face velocity (m/s)	2,96
$\Delta p_{s,ext}$ (Pa)	214,61
$\Delta p_{s,int}$ (Pa)	NA
$\Delta p_{s,add}$ (Pa)	NA
Static efficiency fans (%)	31,5
External leakage rate (%)	0,4
Internal leakage rate (%)	NA
Filter performance	NA
Filter warning	NA
LWA dB(A)	45
https://www.solerpalau.com/	