



JETFLOW SJMF

Inline Mixed Flow Circular Fan

JETFLOW SJMF

Product Overview

- 6 standard sizes from 100mm to 315mm
- Air volume flow rates up to 0.815 m³/s
- Static pressures up to 677 Pa
- Suitable for operating temperatures up to +60°C
- Light weight galvanised sheet steel casing
- Low Specific Fan Powers
- Available in **EC**



Inline mixed flow circular fans with EC motors for low power consumption at high performance.

Construction

Manufactured with aluminium or cold rolled steel sheet, dependant on size.

Motor

Brushless EC motors are fitted as standard. The IPX4 motor contains sealed for life heavy duty NWB bearings. All motors are suitable for use in ambient air conditions up to +60°C.

Impeller

A high efficiency jet design double mixed flow impeller integrated and directly driven by an EC motor.

Electrical Connection

Electrical connection via 1.5 metre Mains lead complete with BS1363-1 UK 3-pin plug BS1361 fuse 3A.

Control

Supplied suitable for fixed speed operation. A Detachable 5 metre lead with 3.5mm jack connection to the unit is supplied for connection to a remote potentiometer, 0-10VDC or PWM Circuit.

Quality Management

Units are to be designed and manufactured with procedures as defined in BS EN ISO 9001.

Warranty

Each SJMF has a 24 month warranty.

Typical Applications

- Schools
- Colleges
- Shops
- Retail Parks
- Commercial
- Hotels
- Restaurants
- Cafes
- Cafeterias
- Pubs
- Offices
- General HVAC

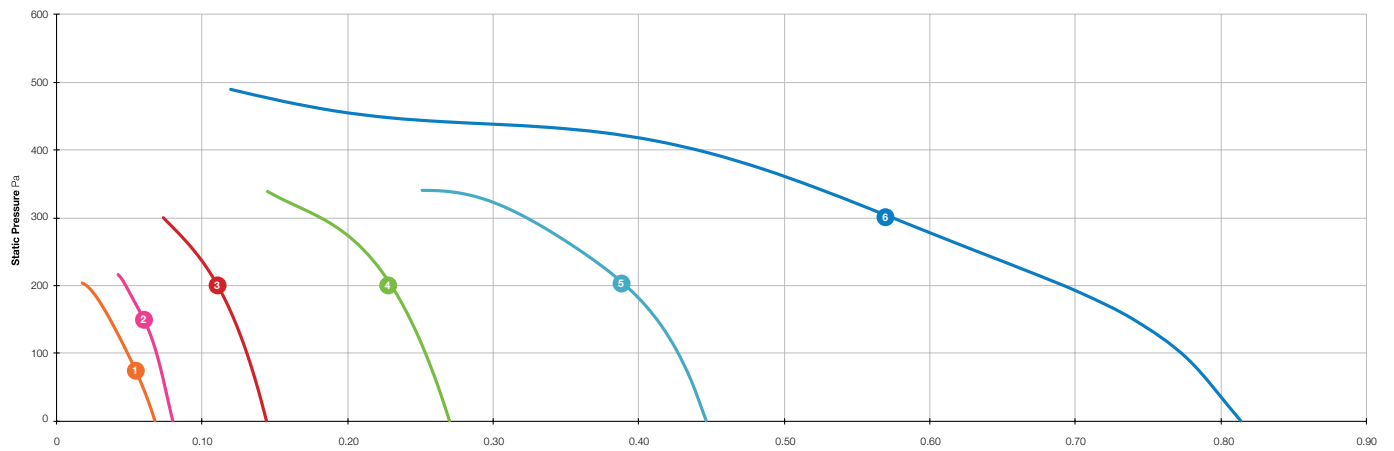
Contents

Page	Information
3	Performance Range Curves
4	Performance, SFP & Electrical Data
5	Sound Data
6	Dimensional Data
8	Accessories

JETFLOW SJMF



Performance Range Curves



- 1 SJMF100
- 2 SJMF125
- 3 SJMF150
- 4 SJMF200
- 5 SJMF250
- 6 SJMF315

JETFLOW SJMF



Performance, SFP & Electrical Data

Single Phase 220V to 240V / 50Hz or 60Hz

Product Code	Control Voltage V	Speed r/min	Airflow SFP	Airflow m³/s @ Static Pressure Pa											At Best Efficiency Point		Electrical Data		dBA @ 3m	
				0	25	50	75	100	150	200	250	300	350	400	Overall Eff %	Input kW	Peak Amps			
SJMF100	10	5000	m³/s	0.067	0.063	0.059	0.054	0.048	0.036	0.020	-	-	-	-	32.1	0.021	0.24	Inlet	46	
			W/(L/s)	0.31	0.33	0.36	0.40	0.45	0.57	0.94	-	-	-	-				Outlet	47	
	7.5	3750	m³/s	0.059	0.053	0.048	0.041	0.034	0.015	-	-	-	-	29.5	0.015	0.18	Inlet	42		
			W/(L/s)	0.25	0.27	0.31	0.36	0.42	0.87	-	-	-	-				Outlet	43		
	5	2500	m³/s	0.043	0.036	0.028	0.017	-	-	-	-	-	-	-	24.9	0.007	0.09	Inlet	36	
			W/(L/s)	0.17	0.21	0.27	0.40	-	-	-	-	-	-	-				Outlet	36	
SJMF125	10	5000	m³/s	0.080	0.077	0.074	0.071	0.068	0.059	0.047	-	-	-	-	42.7	0.027	0.26	Inlet	47	
			W/(L/s)	0.30	0.32	0.33	0.36	0.38	0.45	0.56	-	-	-	-				Outlet	48	
	7.5	3750	m³/s	0.069	0.066	0.062	0.058	0.053	0.040	-	-	-	-	41.9	0.018	0.18	Inlet	43		
			W/(L/s)	0.21	0.24	0.27	0.30	0.34	0.43	-	-	-	-				Outlet	44		
	5	2500	m³/s	0.051	0.046	0.041	0.032	-	-	-	-	-	-	-	34.4	0.009	0.09	Inlet	37	
			W/(L/s)	0.15	0.17	0.21	0.27	-	-	-	-	-	-	-				Outlet	37	
SJMF150	10	4980	m³/s	0.144	0.141	0.137	0.134	0.130	0.121	0.110	0.094	-	-	-	61.0	0.049	0.39	Inlet	50	
			W/(L/s)	0.28	0.30	0.32	0.34	0.36	0.40	0.44	0.52	-	-	-				Outlet	51	
	7.5	4245	m³/s	0.123	0.119	0.115	0.111	0.106	0.094	0.074	-	-	-	-	62.2	0.031	0.30	Inlet	46	
			W/(L/s)	0.20	0.23	0.25	0.27	0.29	0.33	0.41	-	-	-	-				Outlet	47	
	5	3195	m³/s	0.092	0.087	0.080	0.072	0.059	-	-	-	-	-	-	50.7	0.015	0.13	Inlet	40	
			W/(L/s)	0.15	0.16	0.18	0.21	0.26	-	-	-	-	-	-				Outlet	40	
SJMF200	10	3740	m³/s	0.269	0.266	0.262	0.257	0.253	0.242	0.229	0.211	0.180	-	-	64.9	0.100	0.79	Inlet	51	
			W/(L/s)	0.28	0.29	0.30	0.31	0.33	0.37	0.42	0.47	0.54	-	-				Outlet	52	
	7.5	3225	m³/s	0.232	0.227	0.221	0.215	0.208	0.191	0.162	0.110	-	-	-	61.5	0.060	0.59	Inlet	48	
			W/(L/s)	0.18	0.21	0.23	0.25	0.28	0.32	0.38	0.50	-	-	-				Outlet	49	
	5	2505	m³/s	0.179	0.172	0.164	0.153	0.136	-	-	-	-	-	-	58.0	0.030	0.25	Inlet	43	
			W/(L/s)	0.13	0.15	0.17	0.19	0.22	-	-	-	-	-	-				Outlet	43	
SJMF250	10	3195	m³/s	0.446	0.442	0.437	0.432	0.427	0.412	0.390	0.360	0.322	-	-	64.6	0.172	1.30	Inlet	55	
			W/(L/s)	0.29	0.30	0.31	0.33	0.34	0.38	0.42	0.47	0.53	-	-				Outlet	56	
	7.5	2725	m³/s	0.382	0.377	0.371	0.364	0.355	0.330	0.293	0.250	-	-	-	68.1	0.106	0.98	Inlet	51	
			W/(L/s)	0.21	0.22	0.24	0.25	0.27	0.31	0.36	0.43	-	-	-				Outlet	52	
	5	2040	m³/s	0.282	0.273	0.261	0.245	0.222	-	-	-	-	-	-	68.1	0.045	0.36	Inlet	45	
			W/(L/s)	0.13	0.14	0.16	0.18	0.20	-	-	-	-	-	-				Outlet	45	
SJMF315	10	3000	m³/s	0.815	0.806	0.796	0.785	0.773	0.741	0.694	0.633	0.569	0.508	0.440	53.0	0.375	2.71	Inlet	62	
			W/(L/s)	0.37	0.39	0.41	0.43	0.45	0.50	0.55	0.61	0.66	0.74	0.85				Outlet	62	
	7.5	2600	m³/s	0.715	0.695	0.675	0.655	0.634	0.589	0.539	0.480	0.401	-	-	54.5	0.254	1.96	Inlet	58	
			W/(L/s)	0.30	0.32	0.34	0.36	0.38	0.42	0.47	0.53	0.63	-	-				Outlet	58	
	5	1950	m³/s	0.537	0.506	0.476	0.445	0.414	0.346	-	-	-	-	-	56.0	0.109	0.91	Inlet	52	
			W/(L/s)	0.18	0.20	0.22	0.24	0.26	0.32	-	-	-	-	-				Outlet	52	

Data provided is at standard air density of 1.2 kg/m³.

ERP data in accordance with Regulation (EU) 1253/2014. Product category is NRVU. Measurement category used to determine energy efficiency: D.

A variable speed drive is integrated within the fan.

Peak Amps @ 230V / 1PH / 50Hz.

The overall A-weighted sound pressure level is at a distance of 3m with spherical free-field propagation. It is expressed in dB re-20µPa and is presented for comparative purposes only.

Suitable for operation from 2V control signal. For performance, refer to our selection software.

JETFLOW SJMF



Sound Data

Single Phase 220V to 240V / 50Hz or 60Hz

Product Code	Control Voltage V	Speed r/min		Sound Power Level dBW @ Octave Band Hz								Total dB
				63Hz	125Hz	250Hz	500Hz	1kHz	2kHz	4kHz	8kHz	
SJMF100	10	5000	Inlet	50	47	53	62	59	60	58	57	67
			Outlet	47	47	55	63	60	60	60	58	68
	7.5	3750	Inlet	43	44	51	58	55	57	54	53	63
			Outlet	47	44	52	59	55	57	56	53	64
	5	2500	Inlet	49	42	49	52	49	52	48	47	58
			Outlet	45	41	48	52	49	51	50	47	58
SJMF125	10	5000	Inlet	54	51	57	66	60	61	59	58	68
			Outlet	51	51	59	67	61	61	61	59	69
	7.5	3750	Inlet	47	48	55	62	56	58	55	54	64
			Outlet	51	48	56	63	56	58	57	54	65
	5	2500	Inlet	53	46	53	56	50	53	49	48	59
			Outlet	49	45	52	56	50	52	51	48	59
SJMF150	10	4980	Inlet	54	51	57	66	63	64	62	61	71
			Outlet	51	51	59	67	64	64	64	62	72
	7.5	4245	Inlet	47	48	55	62	59	61	58	57	67
			Outlet	51	48	56	63	59	61	60	57	68
	5	3195	Inlet	53	46	53	56	53	56	52	51	62
			Outlet	49	45	52	56	53	55	54	51	62
SJMF200	10	3740	Inlet	73	56	57	66	65	66	65	62	76
			Outlet	58	55	61	67	65	67	66	63	73
	7.5	3225	Inlet	57	50	57	61	62	63	61	57	69
			Outlet	52	53	60	64	62	64	62	59	70
	5	2505	Inlet	46	47	56	55	58	59	55	52	64
			Outlet	48	48	58	58	57	59	56	52	65
SJMF250	10	3195	Inlet	72	58	65	72	70	69	68	65	78
			Outlet	77	60	67	72	70	70	69	67	80
	7.5	2725	Inlet	54	57	64	66	66	66	64	60	73
			Outlet	53	58	70	66	66	67	65	62	75
	5	2040	Inlet	48	51	60	59	60	60	56	52	67
			Outlet	51	53	61	59	60	61	57	53	67
SJMF315	10	3000	Inlet	82	88	86	78	76	73	69	63	91
			Outlet	84	88	86	79	76	75	69	63	92
	7.5	2600	Inlet	80	87	79	74	74	69	65	59	89
			Outlet	81	87	79	74	73	71	65	59	89
	5	1950	Inlet	75	84	75	67	66	61	57	50	85
			Outlet	76	82	75	68	65	63	56	49	84

Data provided at standard air density of 1.2 kg/m³.
 Tests and preparation of the sound data have been carried out in accordance with BS 848 Part 2:1985 at 50% peak pressure.
 The Sound Power Level Spectra are in dB re-1pW.

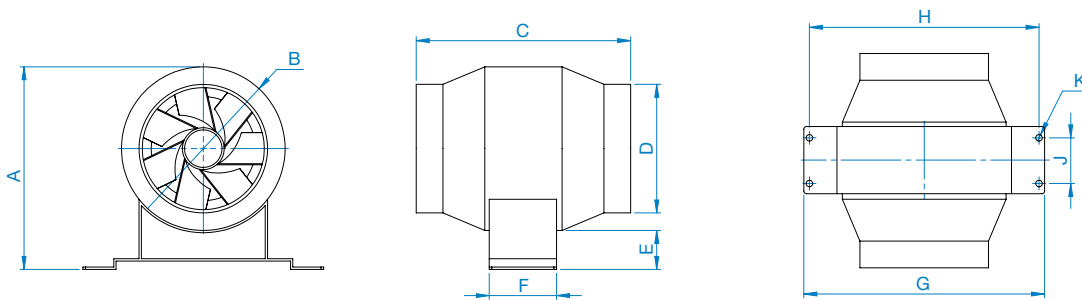
JETFLOW SJMF



Dimensional Data

Single Phase

Product Code	A	B	C	D	E	F	G	H	J	K	Weight kg
SJMF100	150	125	159	98	25	51	184	175	37	5	1.1
SJMF125	151	126	110	124	26	51	184	175	37	5	1.1
SJMF150	173	153	165	150	21	80	187	175	37	5 x 8 SLOT	1.6
SJMF200	223	203	220	200	22	105	221	210	39	5 x 8 SLOT	2.6
SJMF250	274	254	210	250	22	105	300	288	26	5 x 8 SLOT	3.7
SJMF315	356	317	290	313	39	164	360	336	68	9 x 14 SLOT	8.5



Dimensions are in mm.

JETFLOW SJMF



Accessories

Single Phase

Product Code	EC Electronic Controller	Fast Clamps (each)	Damper	Panel Filter	Electric Heater Battery
SJMF100	149-POT-10-MI	018-100-CLAMP	018-100-DAMPER	018-0100-FILT-P	018-CV10-06-1M
SJMF125	149-POT-10-MI	018-125-CLAMP	018-125-DAMPER	018-0125-FILT-P	018-CV12-12-1M
SJMF150	149-POT-10-MI	018-150-CLAMP	018-150-DAMPER	018-0150-FILT-P	018-CV15-27-1M
SJMF200	149-POT-10-MI	018-200-CLAMP	018-200-DAMPER	018-0200-FILT-P	018-CV20-30-1M
SJMF250	149-POT-10-MI	018-250-CLAMP	018-250-DAMPER	018-0250-FILT-P	018-CV25-30-1M
SJMF315	149-POT-10-MI	018-315-CLAMP	018-315-DAMPER	018-0315-FILT-P	018-CV31-30-1M
					018-CV31-45-1M
					018-CV31-90-3M

Product Code	Spigot Silencer 300mm Long	Spigot Silencer 600mm Long	Spigot Silencer 900mm Long	Spigot Silencer 1200mm Long	Wiring Diagram
SJMF100	068-0100-JF1	068-0100-JF2	068-0100-JF3	068-0100-JF4	152-553
SJMF125	068-0125-JF1	068-0125-JF2	068-0125-JF3	068-0125-JF4	152-553
SJMF150	068-0150-JF1	068-0150-JF2	068-0150-JF3	068-0150-JF4	152-553
SJMF200	068-0200-JF1	068-0200-JF2	068-0200-JF3	068-0200-JF4	152-553
SJMF250	068-0250-JF1	068-0250-JF2	068-0250-JF3	068-0250-JF4	152-553
SJMF315	068-0315-JF1	068-0315-JF2	068-0315-JF3	068-0315-JF4	152-553

EC ELECTRONIC CONTROLLER

Accessories

- EC Type fans
- Variable Speed Drives (Inverters)



Product
Code

149-POT-10-MI*

*-MI: Minimum speed adjustable by internal preset

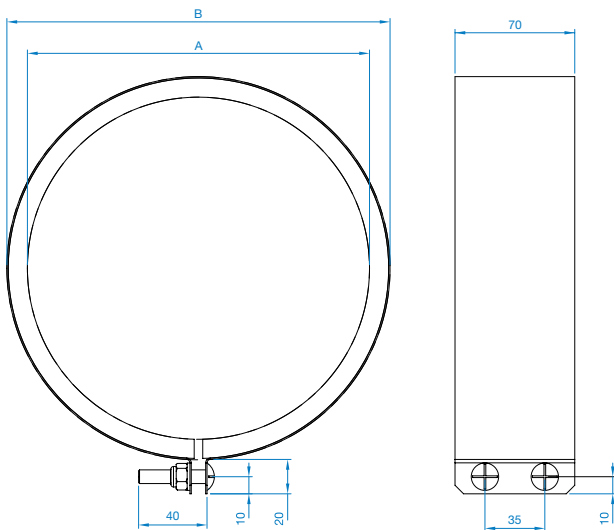
FAST CLAMPS

Accessories

- For quick connection of spigotted fans to circular duct or accessories
- Galvanised steel circular duct clamp with foam lining



Product Code	Fan Size	A Dia.	B Dia.	Weight kg
018-100-CLAMP	100	100	124	0.25
018-125-CLAMP	125	125	149	0.29
018-150-CLAMP	150	150	174	0.33
018-200-CLAMP	200	200	224	0.42
018-250-CLAMP	250	250	274	0.49
018-315-CLAMP	315	315	339	0.59



Dimensions are in mm.

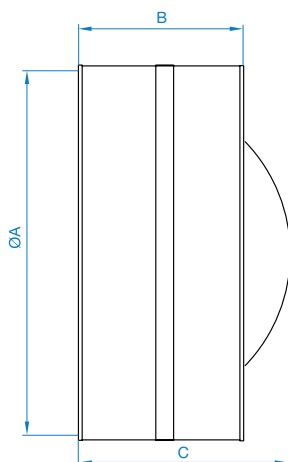
DAMPER

Accessories

- Prevents reverse flow of air when fan is not operating
- Galvanised sheet steel case
- Spring operated aluminium sheet blades



Product Code	Fan Dia. A	B	C	Weight kg
018-100-DAMPER	100	90	100	0.2
018-125-DAMPER	125	90	100	0.3
018-150-DAMPER	150	90	110	0.3
018-200-DAMPER	200	125	150	0.6
018-250-DAMPER	250	125	190	0.6
018-315-DAMPER	315	125	210	1.3



Dimensions are in mm.

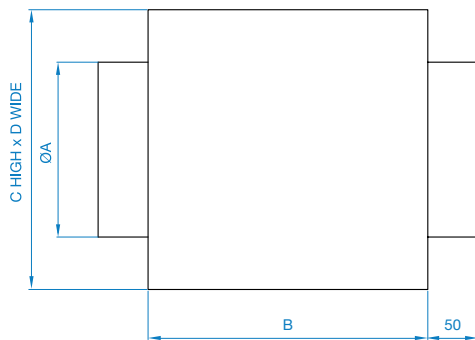
PANEL FILTER

Accessories

- Galvanised steel casing
- Filter media to ISO 16890 Coarse ePM10 < 50%
- Filter access with removable panel



Product Code	Fan Dia. A	B	C	D	Weight kg
018-0100-FILT-P	100	155	200	200	2
018-0125-FILT-P	125	155	200	200	2
018-0150-FILT-P	150	155	250	250	2
018-0200-FILT-P	200	155	250	250	2
018-0250-FILT-P	250	200	300	300	3
018-0315-FILT-P	315	300	440	440	8



Dimensions are in mm.

ELECTRIC HEATER BATTERY

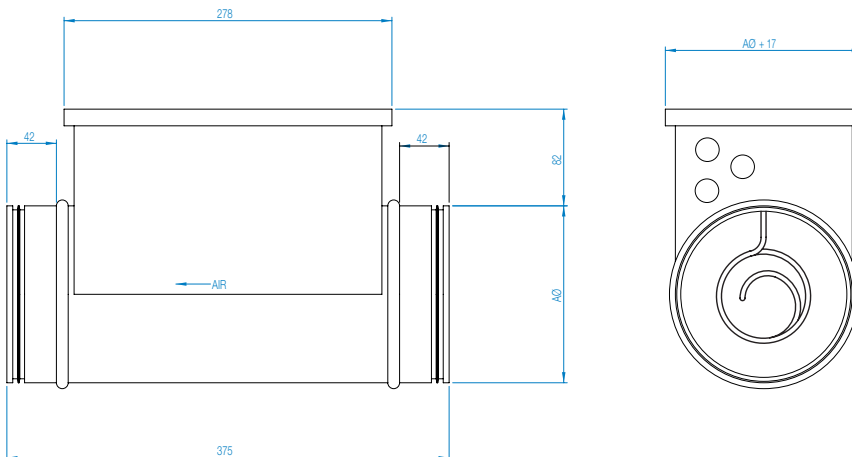
Accessories



Type

CV – (E/M) duct heater with casing of Aluzinc-coated sheet steel and stainless steel heater element to EN 1.4301. The duct heaters conform to air tightness class C to EN 15727. Control takes place by an external regulator and sensor that must be ordered separately.

Product Code	kW	Phase	Airflow @ m ³ /s		A	Weight kg
			Min	Max		
018-CV10-06-1M	0.6	1	0.012	0.046	100	2.3
018-CV12-12-1M	1.2	1	0.019	0.093	125	3.0
018-CV15-27-1M	2.7	1	0.031	0.208	150	4.2
018-CV20-30-1M	3.0	1	0.047	0.231	200	5.9
018-CV25-30-1M	3.0	1	0.075	0.231	250	7.8
018-CV31-30-1M	3.0	1	0.115	0.231	315	8.3
018-CV31-45-1M	4.5	1	0.115	0.347	315	8.3
018-CV31-90-3M	9.0	3	0.115	0.694	315	8.3



Dimensions are in mm.

SPIGOT SILENCER

Accessories

- Small metric range of attenuators with spigot connection
- Ideal for small fans
- Ideal for cross talk elimination
- Ideal for flexible or spiral ducting



Construction

Both types are rigidly constructed in galvanised sheet steel, with a highly absorbent sound attenuating lining between the outer casing and the inner perforated steel lining. The end faces of the silencer do not have threaded holes for fixings, but has a steel spigot for ease of mounting.

Melinex lined silencers must be used to prevent grease impregnation into the acoustic media for kitchen extract applications as prescribed in DW/172 HVAC Specification For Kitchen Ventilation Systems. For Melinex insertion losses, please contact Elta Fans. Silencers can be provided with differing lengths: 300, 600, 900 and 1200mm.

Silencer Attenuation

To determine the sound level of a fan fitted with a silencer, the dynamic insertion loss should be subtracted from the sound power level spectrum (dBW) of the fan. This should be done for the entire octave band mid-frequency spectrum. The fan dBW ratings and silencer attenuation apply equally to in duct applications, with a silencer connected between the fan and the duct system.

Dynamic Insertion Loss

The silencer attenuation is defined as the “dynamic insertion loss”. The values quoted in the tables represent the difference between the sound power level of a fan and silencer combination (dBW) and that of the fan alone (dBW). The dynamic insertion losses shown are the attenuations recorded under ideal working conditions. The achieved attenuation will vary according to the air velocity and flow pattern in the airways. Noise regeneration can occur at higher velocities, especially in EP silencers.

Square / Rectangular Silencers

In highly noise sensitive areas, where the circular silencers cannot achieve the necessary attenuation levels, Elta Fans can design and build optional splitter silencers for greater effect.

SPIGOT SILENCER

Dynamic Insertion Loss

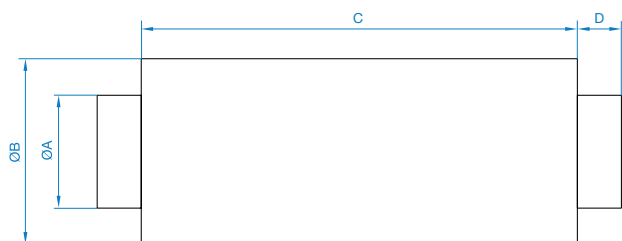
Spigot Ø100-315

Product Code	Length	Insertion Loss @ Octave band (Hz)							
		63	125	250	500	1K	2K	4K	8K
068-0100-JF1	300mm	-3	-4	-9	-17	-23	-26	-25	-14
068-0100-JF2	600mm	-5	-8	-15	-33	-39	-40	-36	-20
068-0100-JF3	900mm	-10	-13	-21	-40	-45	-40	-36	-24
068-0100-JF4	1200mm	-12	-15	-23	-42	-47	-42	-38	-26
068-0125-JF1	300mm	-3	-3	-8	-16	-21	-24	-22	-12
068-0125-JF2	600mm	-4	-8	-13	-30	-35	-35	-31	-15
068-0125-JF3	900mm	-9	-12	-18	-37	-41	-38	-34	-20
068-0125-JF4	1200mm	-11	-15	-21	-40	-46	-41	-36	-23
068-0150-JF1	300mm	-3	-3	-6	-14	-19	-23	-22	-11
068-0150-JF2	600mm	-4	-7	-12	-23	-30	-36	-31	-15
068-0150-JF3	900mm	-8	-9	-15	-31	-37	-37	-34	-18
068-0150-JF4	1200mm	-10	-14	-17	-34	-41	-40	-36	-20
068-0200-JF1	300mm	-2	-3	-6	-13	-17	-20	-18	-9
068-0200-JF2	600mm	-4	-6	-10	-20	-27	-32	-20	-11
068-0200-JF3	900mm	-7	-9	-14	-32	-39	-36	-26	-15
068-0200-JF4	1200mm	-10	-12	-17	-35	-41	-44	-28	-16
068-0250-JF1	300mm	-2	-3	-6	-12	-16	-19	-17	-8
068-0250-JF2	600mm	-3	-6	-10	-19	-25	-29	-18	-10
068-0250-JF3	900mm	-5	-8	-12	-24	-30	-30	-22	-14
068-0250-JF4	1200mm	-7	-10	-15	-31	-37	-38	-26	-15
068-0315-JF1	300mm	-1	-3	-6	-12	-15	-18	-16	-8
068-0315-JF2	600mm	-3	-5	-8	-16	-21	-22	-16	-14
068-0315-JF3	900mm	-4	-7	-10	-20	-31	-28	-17	-14
068-0315-JF4	1200mm	-6	-9	-14	-23	-32	-32	-18	-15

SPIGOT SILENCER

Dimensional Data

Product Code	Fan Dia.	A	B	C	D	Weight kg
068-0100-JF1	100	98	204	300	40	2.5
068-0100-JF2	100	98	204	600	40	4.6
068-0100-JF3	100	98	204	900	40	6.7
068-0100-JF4	100	98	204	1200	40	8.7
068-0125-JF1	125	123	230	300	40	2.9
068-0125-JF2	125	123	230	600	40	5.4
068-0125-JF3	125	123	230	900	40	7.8
068-0125-JF4	125	123	230	900	40	10.2
068-0150-JF1	150	148	255	300	40	3.4
068-0150-JF2	150	148	255	600	40	6.1
068-0150-JF3	150	148	255	900	40	8.9
068-0150-JF4	150	148	255	1200	40	11.6
068-0200-JF1	200	198	305	300	40	4.2
068-0200-JF2	200	198	305	600	40	7.6
068-0200-JF3	200	198	305	900	40	11.0
068-0200-JF4	200	198	305	1200	40	14.5
068-0250-JF1	250	248	355	300	40	5.0
068-0250-JF2	250	248	355	600	40	9.1
068-0250-JF3	250	248	355	900	40	13.2
068-0250-JF4	250	248	355	1200	40	17.3
068-0315-JF1	315	313	420	300	40	6.1
068-0315-JF2	315	313	420	600	40	11.1
068-0315-JF3	315	313	420	900	40	16.1
068-0315-JF4	315	313	420	1200	40	21.0



Dimensions are in mm.

Building Services

Tel **+44 (0) 1384 275800**
Fax **+44 (0) 1384 275810**
Email **info@eltafans.co.uk**

46 Third Avenue, Pensnett Trading Estate, Kingswinford,
West Midlands, DY6 7US United Kingdom

Applied Technology & Building Services Export

Tel **+44 (0) 1489 566500**
Fax **+44 (0) 1489 566555**
Email **at@eltafans.co.uk / export@eltafans.co.uk**

17 Barnes Wallis Road, Segensworth East Industrial Estate,
Fareham, Hampshire, PO15 5ST United Kingdom

eltafans.com

SJMF-09-2021 Issue B



BS EN ISO 9001:2015 FM 556465

