

KBR/F 315D2 IE2 SMOKE EXT F400

Item no. 34509

Document type: **Product card**
 Document date: **2019-05-09**
 Generated by: **Systemair Online Catalogue**

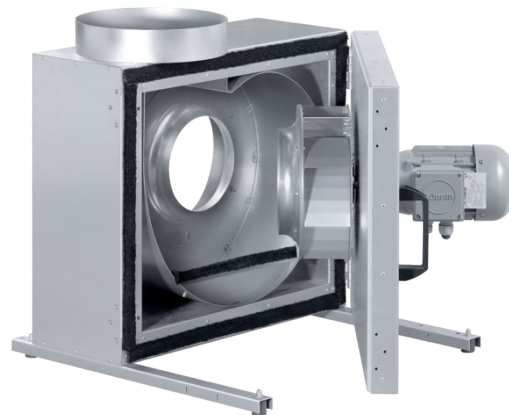
Description

- Smoke extract unit
- 400°/120 min (F400)
- Insulated casing
- Speed-controllable
- Integral thermal contacts
- Low sound level
- Tested acc. to EN 12101-3 at LGAI Barcelona.
- CE-certified acc. to EN 12101-3, 2002-06 at TÜV Süd

The KBR/F fans smoke extract unit are used in case of fire to extract smoke gases from rooms, and also during normal working conditions for standard temperature up to 200°C.

The KBR/F units have backward curved impellers made of galvanized steel expect size 355 which is a steel impeller painted RAL 9005. The unit have a swing out door for easy inspection and service. The direction of the door opening can easily be changed from left to right at site. The fan have a double isolated casing with 50 mm rockwool inside.

To protect the motors from overheating the KBR fans have integral thermal contacts with external leads for connection to a motor protection device. (Except size KBR 280 D2 and D2-4 which have integral cold conductors). In case of fire all protective devices must be bridged to guarantee functional capability.



Please note: Speed control by voltage, i.e. voltage transformers, is not possible!

In accordance with Commission Regulation (EC) no 640/2009 of the European Parliament - eco-design requirements for electric motors - the new international efficiency classes are binding as of 16 June 2011. These guidelines defined by CEMEP and EPACK are regarded as international standard for energy-saving high-efficiency motors for frequencies of 50 or 60 Hz and make the use of IE2 motors mandatory. With this new and more efficient technology we offer our customers many advantages such as environmentally friendly operation, reduced energy consumption and hence lower emissions. IE2 motors have a higher efficiency even in part load operation and allow optimum adjustment to the operating point. In addition, the IE2 motors generate less noise and develop less heat, which has a positive influence on the efficiency and the cooling requirement of the motor. Please note: IE2 motors cannot be speed controlled by voltage, i.e. voltage transformers.

Technical parameters

Nominal data	
Voltage	400 V
Frequency	50 Hz
Phase	3 ~
Input power (P1)	1218 W
Current	2,33 A
Starting current	22,4 A
Max. airflow	1,09 m³/s
R.p.m.	2928 r.p.m.
Weight	66 kg
Temperature data	
Max. temperature of transported air	200 °C
Max. temp. of transported air for 120 min	400 °C

Sound data

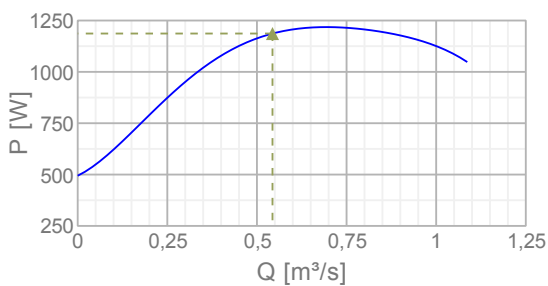
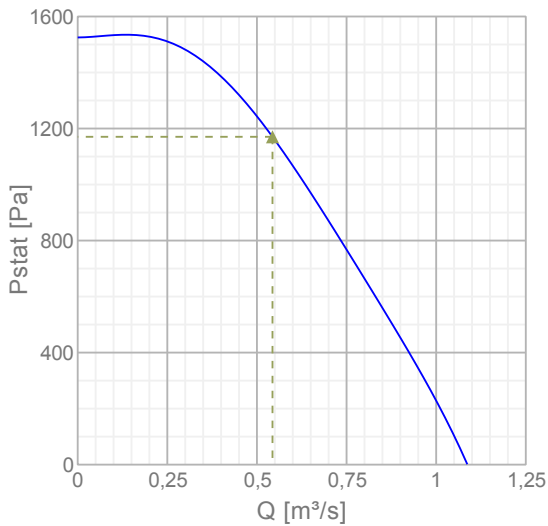
Sound pressure level at 4 m	50	dB(A)
Sound pressure level at 10 m	42	dB(A)

Protection / Classification

Insulation class	F
Enclosure class, motor	IP54

Diagrams

Diagrams

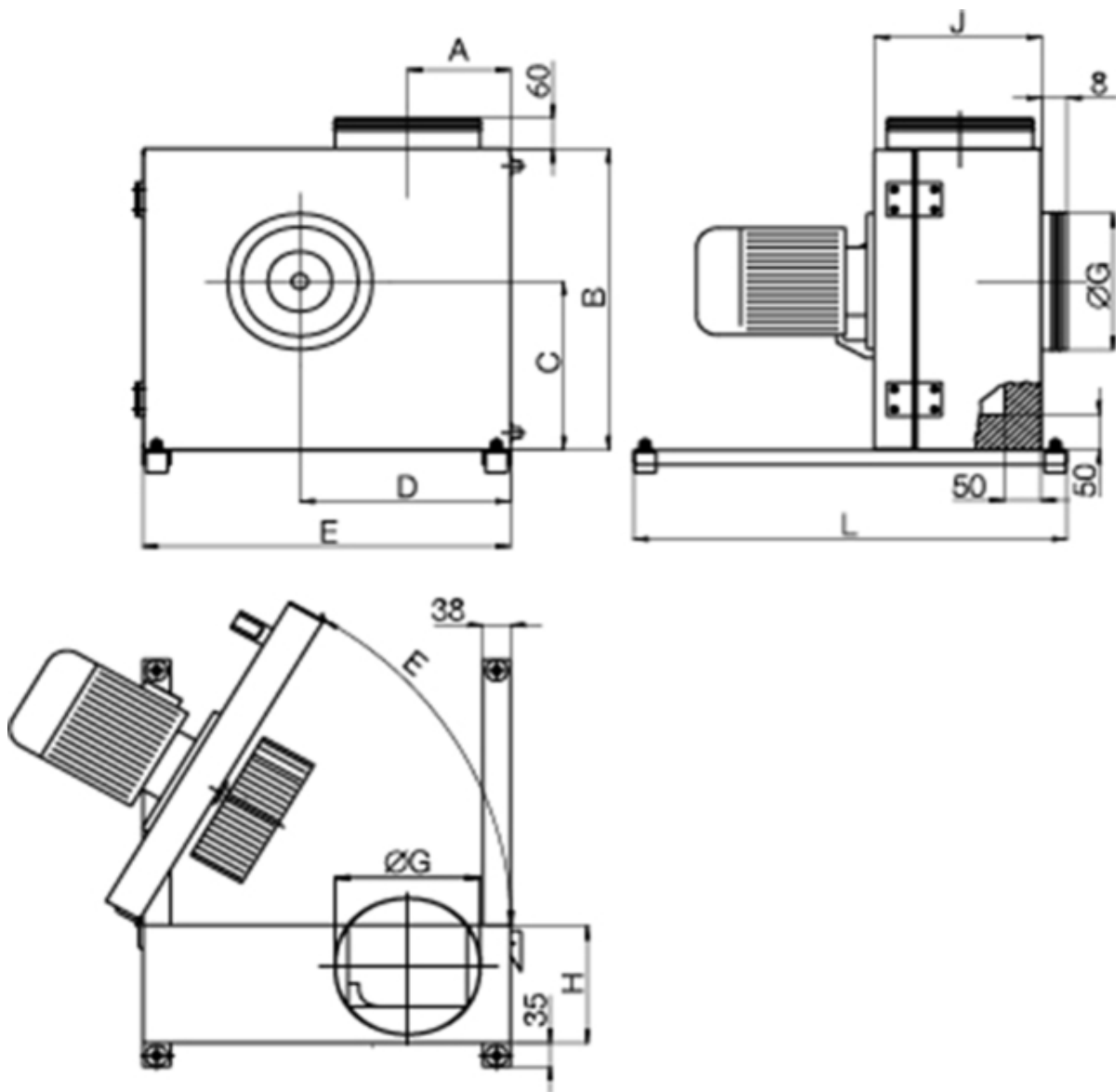


Max efficiency

Hydraulic data

▲ Working air flow	0,543	m³/s
▲ Working static pressure	1170	Pa
▲ Power	1187	W
Speed	2929	r.p.m.
Current	2,28	A
SFP	2,18	W/(l/s)
Voltage	400	V

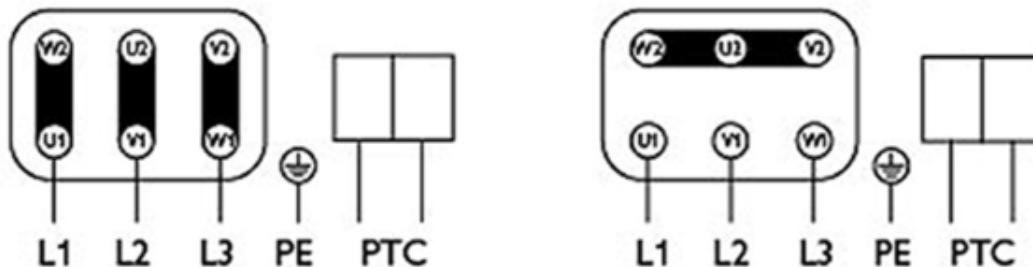
Dimensions



	A	B	C	D	E	ØG	H	J	L
KBR/F 315	187,5	600	339	398	690	315	249	307	800

Wiring

Dreiphasenmotor mit Kaltleiter Three phase motor with cold conductor Moteur triphasé avec résistance PTC



3 x 230V
D Schaltung
Delta connection
Branchement en triangle

3 x 400V
Y Schaltung
Star connection
Branchement en étoile

Drehrichtungsänderung durch Vertauschen von 2 Phasen
Changing of direction of rotation by interchanging of two phases
Changement de sens de rotation par inversion de deux phases

Typenschild beachten! See label! Voir plaquette!

Accessories

Electric accessories

[Trigger unit U-EK230E \(30199\)](#)
[REV-5POL/05 ON/OFF \(33979\)](#)
[REV-5POL/05 incl. EMC KIT \(34549\)](#)
[FXDM5AM Frequency inv. IP54 \(31387\)](#)

Accessories

[ASF 315/KB Flex. connection \(2718\)](#)
[WBK 315/355 Wall bracket \(2721\)](#)
[ALS-KBR drain plug \(2727\)](#)
[WSD KBR-2 Weather roof f. motor \(2729\)](#)
[UGF 315 Transition flange \(305493\)](#)
[LRK 315\(F\) air oper. damper \(8316\)](#)
[RSA 315/315/070 \(F\) \(311346\)](#)
[RSA 315/472,5/070 \(F\) \(311347\)](#)
[RSA 315/630/070 \(F\) \(311348\)](#)
[EVH 315 flex.conn. AXC 400°C \(8364\)](#)

Documentation

[manual_kbr_en_\[003\].pdf \(3,41MB\)](#)

[KBR_F 280-355_EN.pdf \(948,90kB\)](#)

[ec-dec_kbr\(f\) mub\(f\)_160414_DE,GB_002_ab 20. April.pdf \(556,83kB\)](#)

[dop_kbr\(f\)_en_002.pdf \(63,52kB\)](#)

Acoustics

Mid-frequency band, Hz

315D2		Tot	125	250	500	1k	2k	4k	8k
LwA Inlet	dB(A)	91	89	88	83	81	77	71	68
LwA Outlet	dB(A)	93	31	90	85	83	80	73	70
LwA Surrounding	dB(A)	73	71	70	65	63	59	53	50

Measuring point: $q_v = 0,38 \text{ m}^3/\text{s}$, $P_s = 250 \text{ Pa}$

Specification text