



Description

High-Quality White Powder-Coated Metal Adjustable Ceiling Extract Valve with lockable settings. The KU ceiling extract valve are for installation on ceilings and walls. The valve has a lockable central cone which is rotated to adjust the pressure and consequently the air volume.

Aesthetically pleasing manufactured from sheet steel with a white powder-coated finish (RAL 9010-80) and is available in the following diameters: \varnothing 80, \varnothing 100, \varnothing 125, \varnothing 150, \varnothing 200, \varnothing 250.

Material: steel sheet
Furnishing: furnace enamelling
Standard colour: white

Technical Data

Parameters

Volumetric flow q (l/s or m^3/h), total pressure loss P_t (Pa), and acoustic pressure level L_A (dB(A)), can be read from the figure.

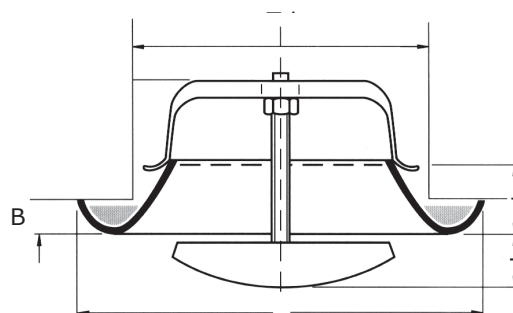
Pressure losses P_t

The figures show total pressure loss P_t (Pa).

Acoustic pressure level, L_A

The figure shows acoustic pressure level L_A (dB(A)). The noise level is specified for a room attenuation of 4dB, which translates into attenuation in the reverberation zone of the SABINE room with an acoustic absorption of 10 m^2 .

Dimensions



$\varnothing d$ = dent/internal diameter of the duct

$\varnothing d$ nom [mm]	A [mm]	B [mm]	weight [kg]
80	115	12	0,1
100	137	12	0,2
125	164	12	0,3
150	202	12	0,3
160	212	12	0,5
200	248	12	0,7
250	302	12	0,9

Acoustic pressure level, L_A (dB(A))

dimension [mm]	average frequency (Hz)						
	125	250	500	1000	2000	4000	8000
80	-2	-6	-5	1	-1	-5	-14
100	-2	-4	-3	0	-1	-8	-16
125	4	3	1	-1	-3	-12	-22
160	-1	0	1	0	-4	-13	-26
200	0	-5	1	2	-13	-28	-32
250	1	-7	2	3	-15	-29	-33
tolerance	3	2	2	2	2	2	3

Sound attenuation (dB)

dimension [mm]	average frequency (Hz)							
	63	125	250	500	1000	2000	4000	8000
80	24	18	14	9	7	7	7	9
100	22	16	11	7	5	5	5	7
125	21	14	9	7	4	4	6	8
160	14	13	8	5	4	4	7	7
200	17	10	6	4	3	4	8	4
250	15	8	5	3	2	3	6	5
tolerance	6	3	2	2	2	2	2	3

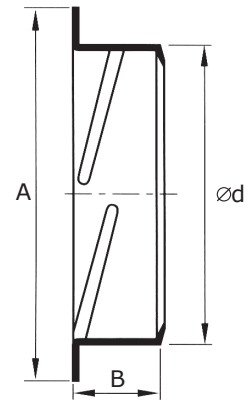
Mounting Frame KU



Description

Ceiling and wall mounting flange with a bayonet socket. The connecting spigot is male and fits directly into Spiral ducts and all types of the flexible ducts.

Dimensions



<i>Æd rated [mm]</i>	<i>A [mm]</i>	<i>B [mm]</i>	<i>weight [kg]</i>
80	118	50	0,040
100	125	50	0,050
125	155	50	0,065
150	176	50	0,085
160	186	50	0,100
200	230	50	0,140
250	280	50	0,175