

KVK DUO 160 CIRCULAR DUCT FAN

Item no. 5127

Version: 50 Hz

Document type: **Product card**

Document date: **2016-10-31**

Generated by: **Systemair Online Catalogue**



Description

- Speed-controllable
- Integral thermal contacts
- Low noise level
- Twin fan

KVK DUO models have double inlet centrifugal fans with forward-curved impellers and maintenance-free external rotor motors. To protect the motors from overheating the fans have integral thermal contacts with leads for connection to a motor protection device.

The fans are easy to connect to spiral ducts using FK mounting clamps.

The KVK DUO models are manufactured from galvanised sheet steel and are thermally and acoustically insulated with a 50 mm layer of mineral wool. Internal surfaces are protected with perforated galvanised sheet steel.



Technical parameters

Default group		
Voltage	230	V
Frequency	50	Hz
Phase	1	~
Input power (P1)	69,1	W
Current	0,301	A
Max. airflow	0,105	m ³ /s
R.p.m.	1943	r.p.m.
Max. temperature of transported air	55	°C
Max. temperature of transported air when speed-controlled	55	°C
Sound pressure level at 3 m	37,3	dB(A)
Weight	19	kg
Insulation class	F	
Enclosure class, motor	IP44	IP
Capacitor	2	µF
ErP		
Energy class, basic unit		E
Energy class, basic unit option		C

Accessories

Electric accessories

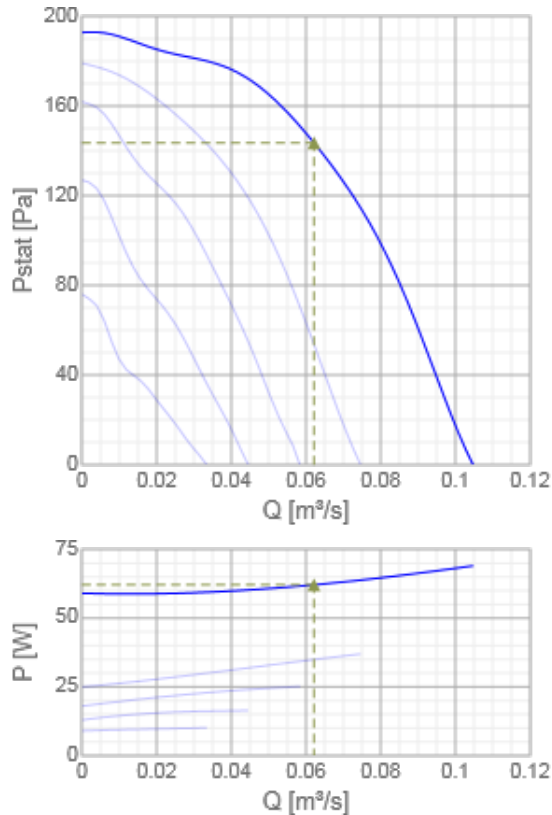
REE 1 Speed control (5314)
 AWE-SK Motorprotection 2A/230V (5138)
 RTRE 1,5 Speed control (5008)
 REU 1.5 Speed control (5004)
 STL 1.5 Speed controller (84251)
 ACO8A Auto Changeover panel (84291)

Accessories

VBC 160-2 Water heating batt (5458)
 CB 160-1,2 230V/1 Duct heater (5291)
 CB 160-2,1 230V/1 Duct heater (5292)
 RSK-160 Back draft damper (5601)
 VK-15 Louvre shutter (5605)
 SG 160 Protection guard (5608)
 CB 160-2,7 230V/1 Duct heater (5382)
 LDC 160-600 Silencer (5192)
 LDC 160-900 Silencer (5193)
 CBM 160-2,1 230V/1 Duct heater (5482)
 LDC 160-300 Silencer (53108)
 CWK 160-3-2,5 Duct cooler,circ (30022)
 VBF 160 Water heating battery (1731)
 FFR 160 Filter cassette (1770)
 IGG-160 Wall Grid (1632)
 FK 160 Fast clamp (1610)
 FGR 160 Filter cassette G3 (1809)
 VKK-160 Back draft damper (1625)

Diagrams

Diagrams



Hydraulic data

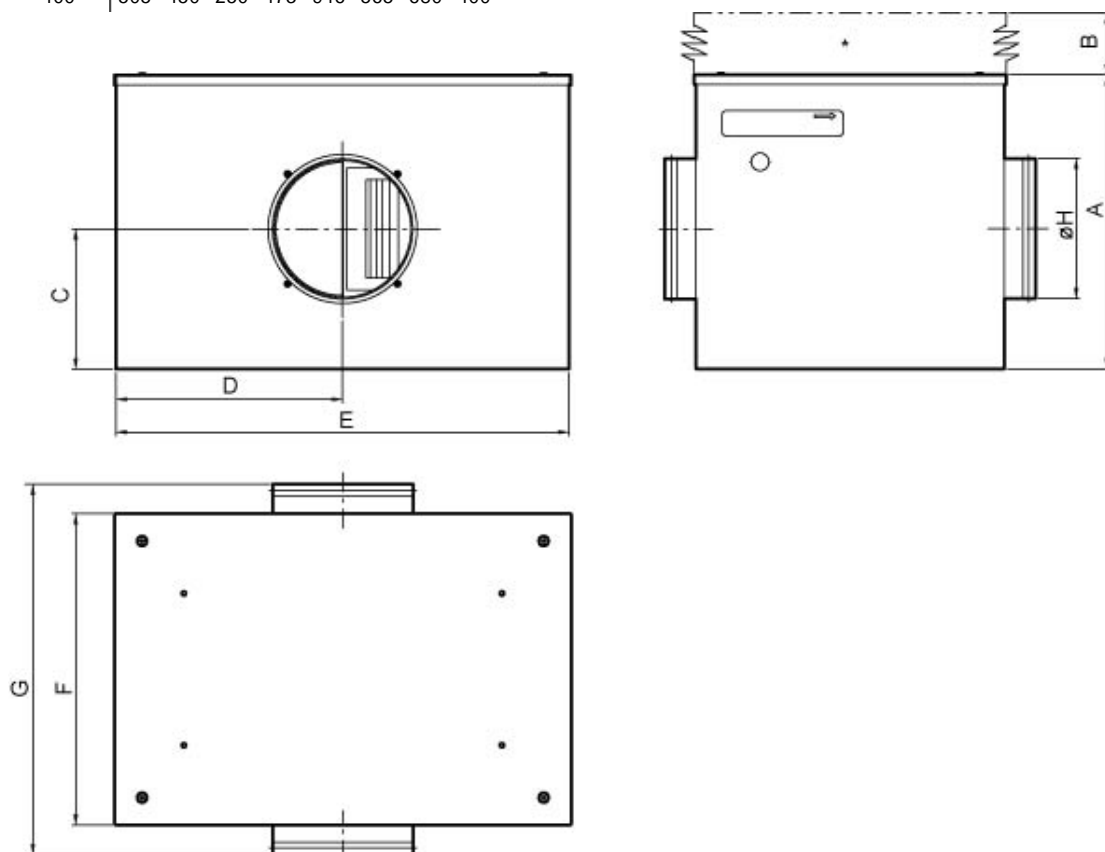
	Working point						
	Q [m^3/s]	Ps [Pa]	P [W]	n [r.p.m.]	I [A]	SFP [W/(l/s)]	U [V]
Max efficiency	0,0621	144	62,1	2377	0,273	1	230

Acoustic data

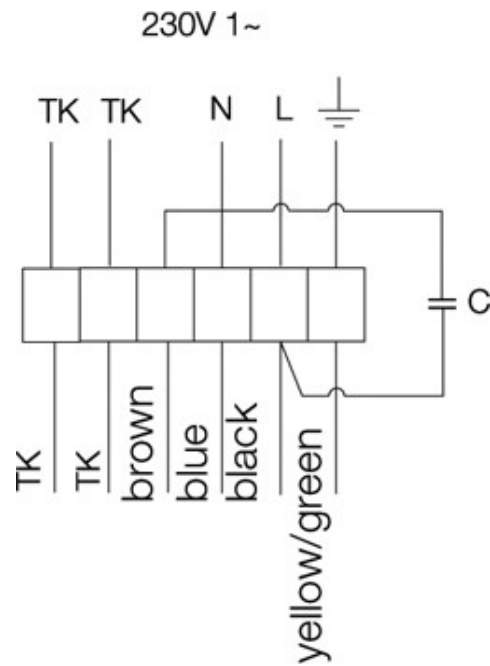
Sound power level		63	125	250	500	1k	2k	4k	8k	Tot
Inlet	dB(A)	40	55	55	52	46	39	33	26	59
Outlet	dB(A)	50	57	62	64	60	59	54	49	68
Surrounding	dB(A)	7	32	41	40	30	22	20	12	44

Dimensions

KVK DUO	A	B	C	D	E	F	G	øH
125	333	275	165	255	510	350	425	125
160	333	275	165	255	510	350	425	160
200	386	325	190	300	600	400	475	200
250	460	400	207	360	720	500	615	250
315M	505	450	250	473	946	565	680	315
315L	505	450	250	473	946	565	680	315
355	505	450	250	473	946	565	680	355
400	505	450	250	473	946	565	680	400



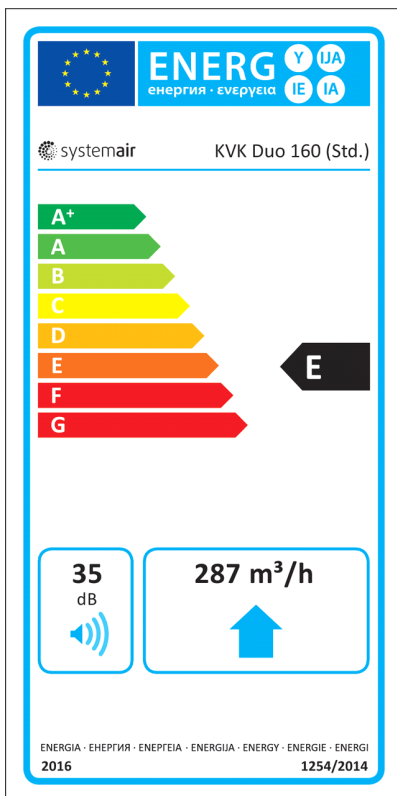
Wiring



Documentation

Energy class label

Energy class, basic unit



Energy class, basic unit option

