



Lindab Volume Control Dampers



- Suitable for domestic and commercial applications.
- Manufactured from 304 grade stainless steel.
- Comprehensive range of system fittings.
- Complete selection of installation accessories.
- Crimped joints provide for fast, easy assembly.



Description

The Lindab series of balancing dampers were formulated to provide accurate control of airflow within ventilating and air conditioning systems combined with low torque operation.

Careful design coupled with up to date manufacturing techniques enables us to offer a quality product at pricing levels which acknowledge today's competitive environment.

Damper units are available in single modules from 100 x 100 up to 1000 x 1000mm, with larger sizes available in our heavy duty model. Within these limits we offer a virtually infinite sizing capability. The comprehensive range of flange and spigot mounting options available allow for ease of installation within any system.

Manually operated dampers are supplied as standard with a lockable control knob to provide infinite adjustment between the fully open and closed positions. Damper units for power operation may be ordered 'bare shaft' or complete with motor to clients' requirements.

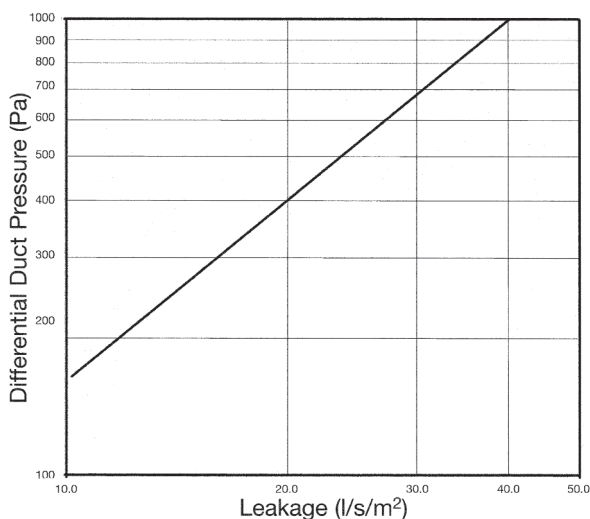
Construction

Dampers are supplied, as standard, with aluminium aerofoil section blades. Blades are fitted with polypropylene end caps to minimise noise generation and friction. Damper cases are manufactured from 1.2mm thick corrosion resistant mgalvanised mild steel throughout.

Drive linkage is to our own low torque design and is constructed from high impact nylon (Delrin) and steel zinc plated components to provide a low friction assembly requiring no maintenance.

Maximum operating temperature 70°C.

Seal Effectiveness (fully sealed version)



The graph indicates the loss of air through the blade system within the duct at various pressure differentials for the fully sealed damper pattern.

Options

In addition to the various damper case configurations one of the following options may be selected:

Standard Balancing Damper

Suitable for all applications where a balancing damper is required. This specification is suitable for most applications.

Semi-Sealed Damper

As above but complete with sprung stainless steel side seals between the blade edges and damper casing.

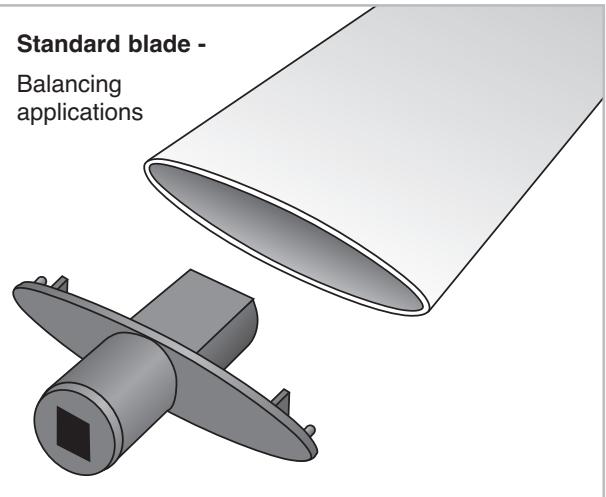
Fully Sealed Damper

With extruded aluminium low leakage blades which incorporate composite flexible pvc seals on damper blade edges, whilst still retaining an aerofoil profile.

Damper Blade Sections

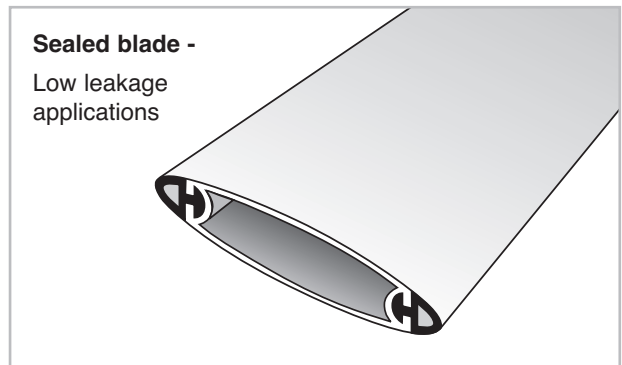
Standard blade -

Balancing applications



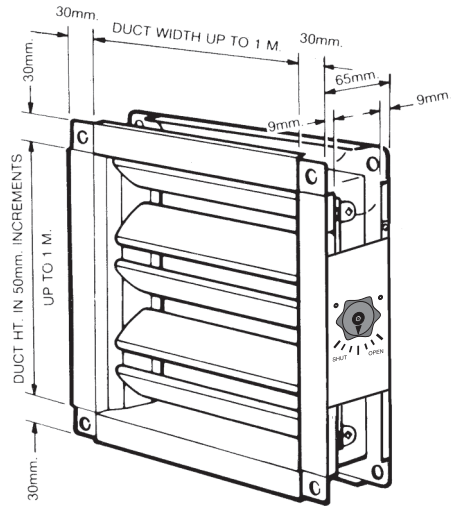
Sealed blade -

Low leakage applications



Product Selection

Flanged Case

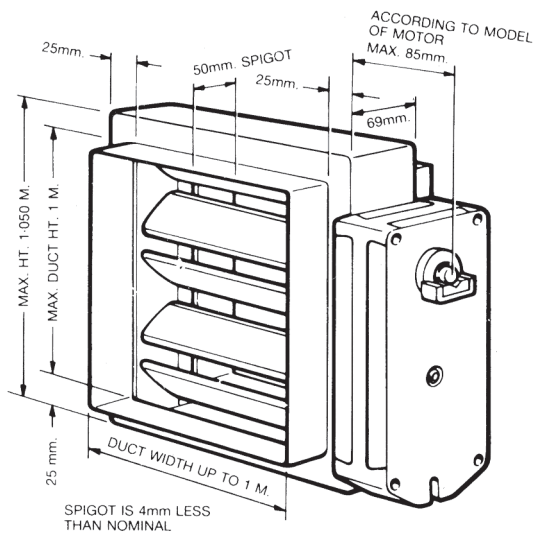


Flanged dampers maybe ordered with 25mm, 30mm and 35mm flanges to match the various proprietary flange systems available.

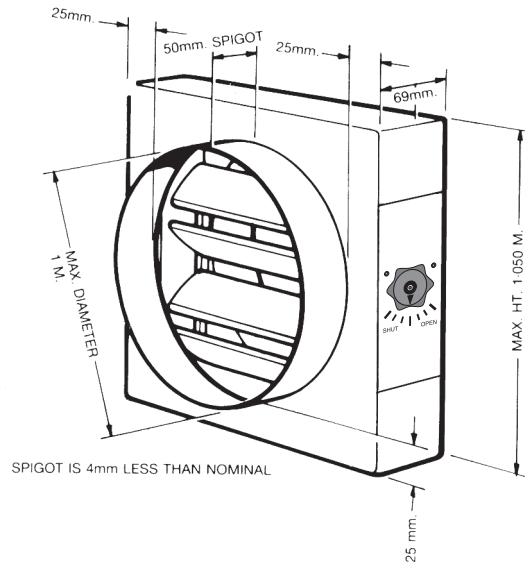
25mm flange has 11mm diameter fixing holes in corners.

30/35mm flange has 17mm x 11mm ob-round holes in corners.

Rectangular Spigoted Case



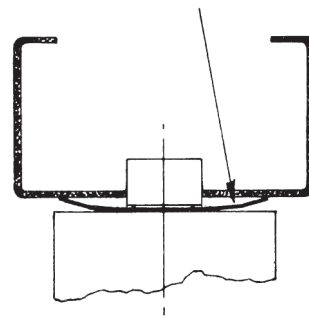
Circular Spigoted Case



N.B. Dampers with flat-oval spigots also available.

Side Seals

Stainless Steel Side Seals

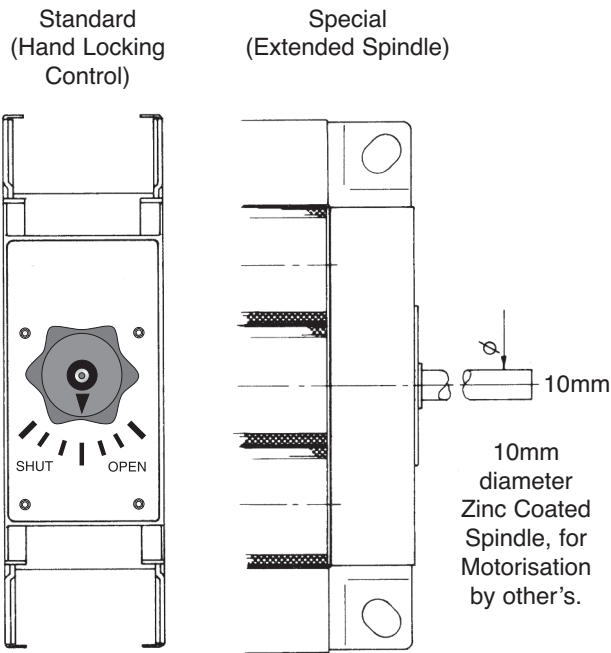


Manufactured from 301 grade.
Fitted to semi and fully sealed models.

Technical Data

- Torque ratings available for a cross sectional range of sizes.
- Single flanged units can be supplied to any width dimension between 100mm to 1000mm with height dimensions in 50mm increments from 100mm to 1000mm.
- Single spigoted units can be supplied to any width x height dimension from 100mm to 1000mm.

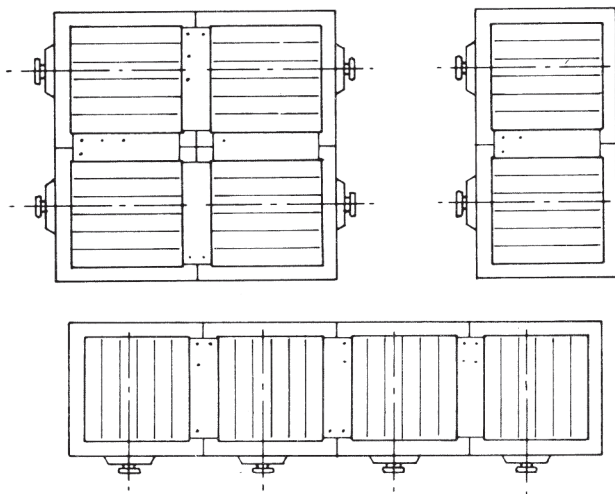
Control Options



Tamper Proof Lock, fitted as standard

Multiple Assemblies

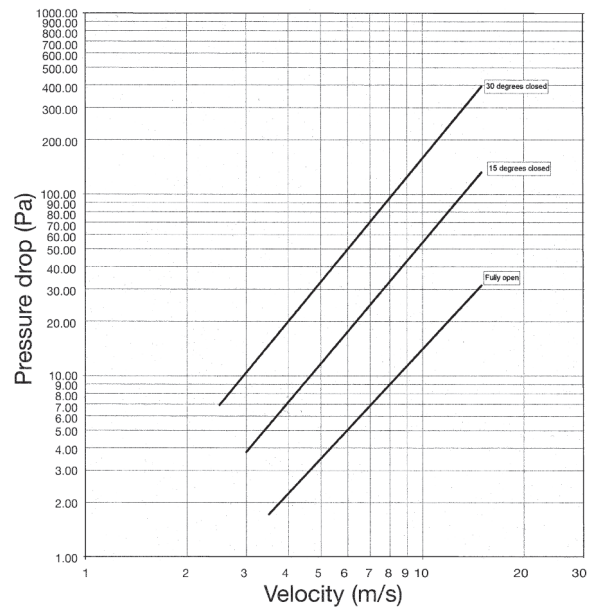
Multiple assemblies for units larger than 1 metre on either dimension can be provided to special order.



The above illustrates some possible arrangements.

Note: We also offer a heavy duty damper. These are available in both galvanised and stainless steel.

Pressure Drop Data



The data shown on the left is based upon results obtained for both standard, semisealed and sealed units having a duct size of 300 x 300mm.

The pressure drop is measured across the blade system from flange to flange.

LINDAB Ltd

E-mail: sales@lindab.co.uk Internet: www.lindab.co.uk

Basildon	01268 532016	Enfield	020 8805 3656	Leicester	0116 255 6044	Sheffield	0114 244 5444
Belfast	028 9078 1607	Exeter	01626 835032	Lincoln	01522 567087	Southampton	023 8026 2111
Birmingham	0121 552 6100	Gateshead	0191 482 5995	Manchester	0161 876 0688	Stoke-on-Trent	01782 383460
Bristol	0117 977 1345	Glasgow	0141 419 3800	Northfleet	01474 579800		
Cardiff	029 2079 4503	High Wycombe	01494 463490	Norwich	01603 747532		
Croydon	020 8603 0850	Leeds	0113 297 1111	Nottingham	0115 985 1923		

Every effort is made to ensure that the information contained in Lindab literature, drawings and correspondence is accurate, but no warranty is given in this respect and the Company shall not be liable as a result of any inaccuracy. The Company reserve the right to alter at anytime, without prior notice, the design, specification, packaging or price of any article and without incurring any obligation.

