



MULTIFLOW SEL

Mixed Flow Fan

MULTIFLOW SEL

Product Overview

- 8 standard sizes from 250mm to 710mm
- Air volume flow rates up to 5.67 m³/s (AC)
- Static pressures up to 1290 Pa (AC) / 1400 Pa (EC)
- Suitable for operating temperatures up to +80°C
- Extensive stock range available
- Available in **AC** and **EC**



The Multiflow SEL is a duct mounted mixed flow fan incorporating state of the art impeller and guide vane design to provide very high performance and efficiency.

Intelligent Design

3D stator guide vanes are used to recover dynamic pressure loss which results in turbulent pressure being turned into useful pressure. This is coupled with optimum tip clearance between the impeller and case to maximise flow rate creating improved efficiencies.

Easy Installation

Fans are supplied with an integral IP44 terminal box. An integral mounting bracket allows quick installation.

Space Saving

Outstanding design allows for smaller diameter units to be utilised whilst still achieving the same required airflow. The range is perfect for projects where space is at a premium through the use of smaller ducting, reducing overall system costs.

Efficient Performance

The high efficiency diagonal mixed flow impeller delivers maximum efficiency and operational performance offering a significant reduction in the running costs against a comparable centrifugal fan.

Weather Resistance

Weatherproofed to IPX4.

Warranty

Each SEL has a 12 month warranty.

Construction

Manufactured from all weather galvanised steel, heat resistant plastic or seawater resistant aluminium (sizes over 400mm).

Motor

AC induction motor is suitable for speed control via transformer. Each motor has integral thermal overload protection.

Impeller

The innovative mixed flow impeller provides lower noise levels than can be achieved with comparative centrifugal fans.

Typical Applications

- Airport Terminals
- Changing Rooms
- Commercial Kitchens
- Factories
- Gymnasiums
- Hotels
- Sports Centres
- Squash Courts
- Warehousing and Stores

Contents

Page	Information	Load
3	Performance Range Curves	AC
4	Performance Range Curves	EC
5	Performance, SFP & Electrical Data	AC
8	Performance, SFP & Electrical Data	EC
10	Sound Data	AC
14	Sound Data	EC
16	Dimensional Data	
17	Accessories	AC
19	Accessories	EC
37	Notes	

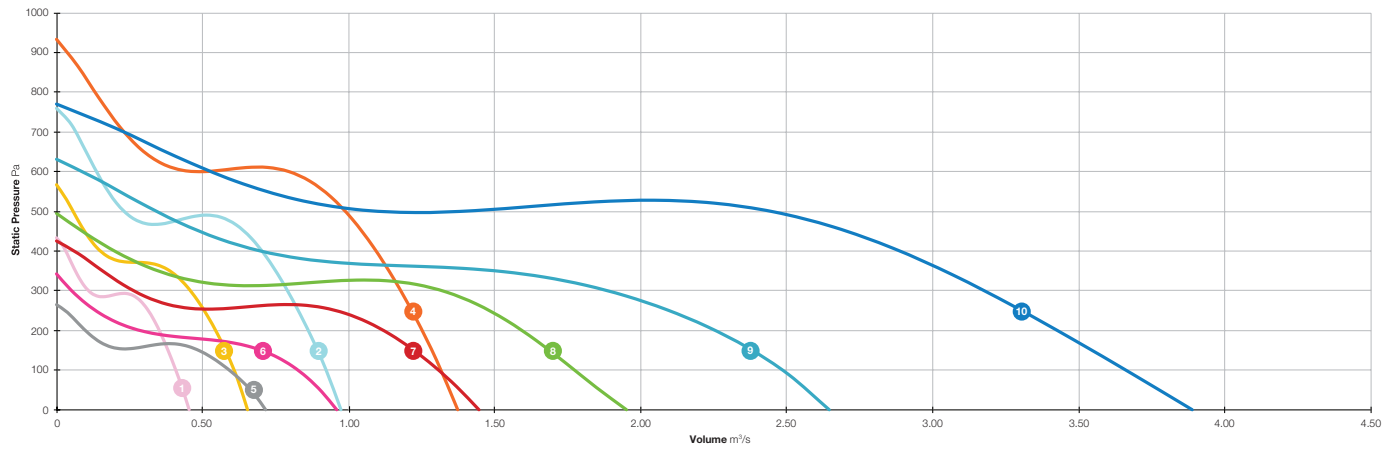
Product Coding

Code	Reference
SEL	Product Range
250	Diameter (250/315/355...)
/	
2	Number of Poles (2/4/6)
-	
1	Voltage Supply (Single Phase / Three Phase)
AC	Motor Type (AC/EC)
A - Z	Additional Coding (A - Z) Product Variants
e.g.	SEL250 / 2-1AC

MULTIFLOW SEL



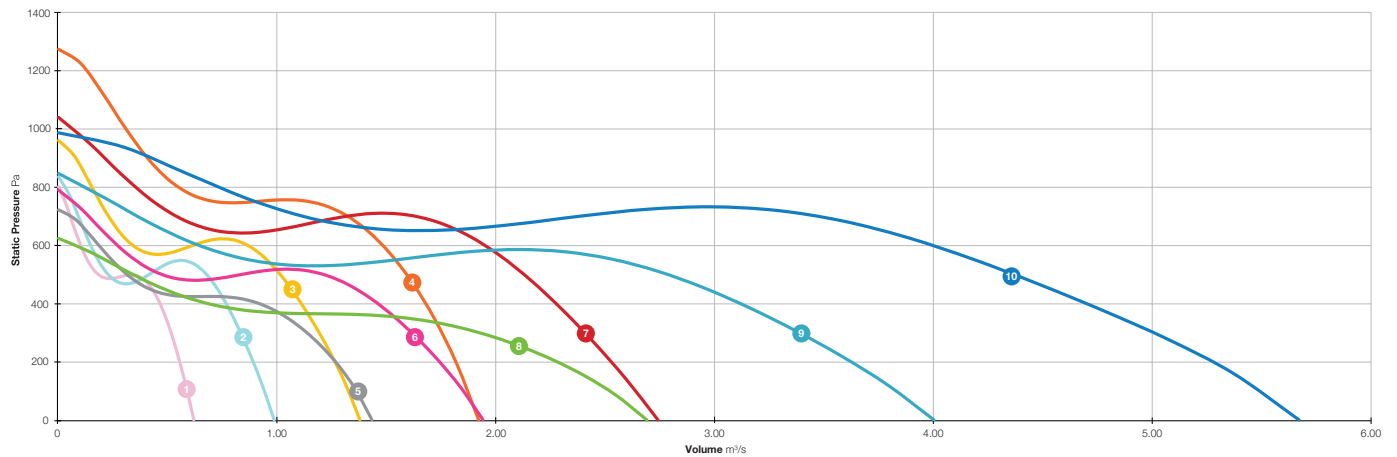
Performance Range Curves



- 1 SEL250 / 2-1AC
- 2 SEL315 / 2B-1AC
- 3 SEL315 / 2A-1AC
- 4 SEL355 / 2-1AC

- 5 SEL355 / 4-1AC
- 6 SEL400 / 4-1AC
- 7 SEL450 / 4-1AC
- 8 SEL500 / 4-1AC

- 9 SEL560 / 4-1AC
- 10 SEL630 / 4-1AC



- 1 SEL250 / 2-13PAC
- 2 SEL315 / 2-13PAC
- 3 SEL355 / 2-13PAC
- 4 SEL400 / 2-3PAC

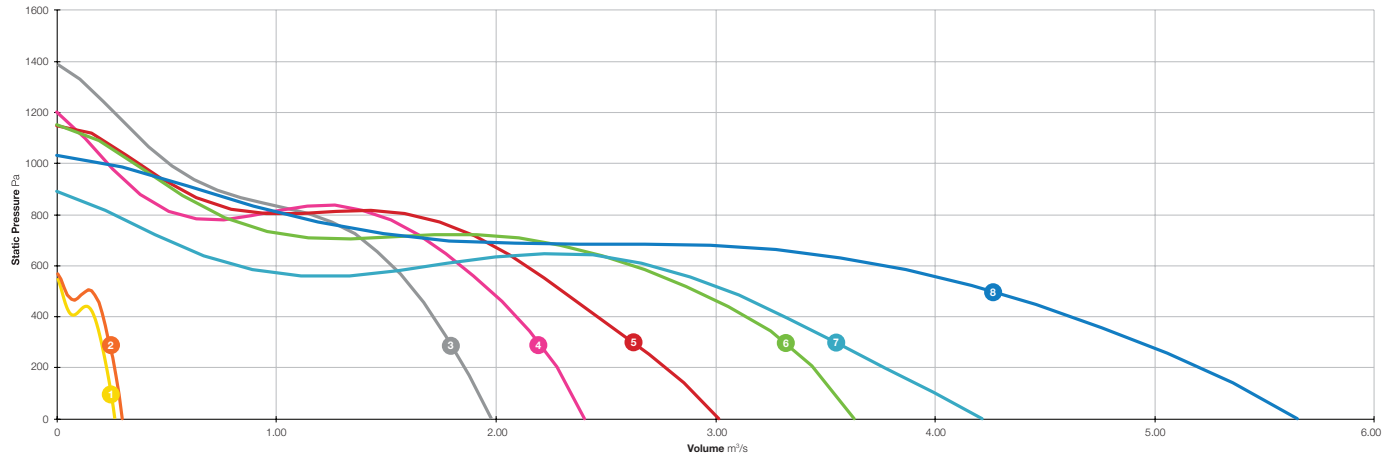
- 5 SEL400 / 4-3PAC
- 6 SEL450 / 4-3PAC
- 7 SEL500 / 4-3PAC
- 8 SEL560 / 4-3PAC

- 9 SEL630 / 4-3PAC
- 10 SEL710 / 4-3PAC

MULTIFLOW SEL



Performance Range Curves



- 1 SEL150 / 1PEC
- 2 SEL200 / 1PEC
- 3 SEL400 / 1PEC

- 4 SEL450 / 1PEC
- 5 SEL500 / 3PEC
- 6 SEL560 / 3PEC

- 7 SEL630 / 3PEC
- 8 SEL710 / 3PEC

MULTIFLOW SEL



Performance, SFP & Electrical Data

Single Phase 220V to 240V / 50Hz

Product Code	Speed r/min	Airflow SFP	Airflow m³/s @static Pressure Pa												At Best Efficiency Point			Electrical Data		dBA @ 3m	
			0	25	50	75	100	150	200	250	300	350	400	500	Overall Eff %	FMEG N	Input kW	Peak Amps			
SEL250/2-1AC	2684	m³/s	0.453	0.442	0.431	0.419	0.407	0.380	0.350	0.313	0.108	0.064	0.031	-	46.9	65.7	0.162	0.70	Inlet	51	
		W/(L/s)	0.33	0.34	0.35	0.37	0.38	0.42	0.47	0.52	1.14	2.07	4.48	-					Outlet	53	
	2435	m³/s	0.402	0.388	0.370	0.350	0.329	0.290	0.245	0.109	0.054	-	-	-	40.9		0.114	0.80	Inlet	50	
		W/(L/s)	0.31	0.31	0.33	0.36	0.40	0.46	0.52	0.88	1.98	-	-	-					Outlet	53	
	2100	m³/s	0.317	0.300	0.259	0.231	0.211	0.172	0.093	-	-	-	-	-	28.5		0.107	0.90	Inlet	40	
		W/(L/s)	0.33	0.33	0.40	0.46	0.50	0.57	0.90	-	-	-	-	-					Outlet	42	
	1490	m³/s	0.197	0.166	0.128	0.105	0.074	-	-	-	-	-	-	-	12.3		0.068	0.90	Inlet	31	
		W/(L/s)	0.35	0.41	0.53	0.63	0.88	-	-	-	-	-	-	-					Outlet	36	
SEL315/2B-1AC	2776	m³/s	0.975	0.963	0.951	0.938	0.924	0.894	0.862	0.828	0.791	0.750	0.703	0.230	52.7	66.2	0.515	2.40	Inlet	55	
		W/(L/s)	0.50	0.51	0.52	0.53	0.54	0.57	0.60	0.63	0.67	0.71	0.76	1.66					Outlet	61	
	2540	m³/s	0.892	0.875	0.857	0.838	0.819	0.778	0.735	0.691	0.642	0.582	0.485	0.160	46.3		0.422	2.80	Inlet	52	
		W/(L/s)	0.48	0.49	0.51	0.52	0.54	0.58	0.63	0.68	0.74	0.79	0.86	2.18					Outlet	56	
	2295	m³/s	0.765	0.745	0.720	0.690	0.657	0.593	0.534	0.475	0.404	0.294	0.159	-	34.2		0.338	2.90	Inlet	48	
		W/(L/s)	0.51	0.51	0.53	0.56	0.60	0.69	0.77	0.83	0.90	1.07	1.96	-					Outlet	52	
	1760	m³/s	0.534	0.501	0.453	0.403	0.363	0.298	0.233	0.011	-	-	-	-	17.7		0.264	2.90	Inlet	41	
		W/(L/s)	0.55	0.57	0.65	0.74	0.82	0.95	1.13	24.88	-	-	-	-					Outlet	46	
SEL315/2A-1AC	2819	m³/s	0.654	0.644	0.633	0.621	0.608	0.579	0.545	0.506	0.459	0.388	0.150	0.057	50.8	67.4	0.263	1.20	Inlet	54	
		W/(L/s)	0.39	0.40	0.40	0.42	0.43	0.46	0.50	0.55	0.60	0.66	1.36	4.03					Outlet	58	
	2640	m³/s	0.609	0.597	0.583	0.569	0.552	0.516	0.474	0.425	0.354	0.161	0.100	-	47.7		0.219	1.30	Inlet	52	
		W/(L/s)	0.36	0.37	0.38	0.40	0.42	0.46	0.51	0.56	0.63	1.07	1.80	-					Outlet	56	
	2425	m³/s	0.541	0.523	0.502	0.476	0.448	0.393	0.335	0.260	0.151	0.075	0.001	-	36.9		0.173	1.50	Inlet	49	
		W/(L/s)	0.38	0.39	0.41	0.44	0.47	0.54	0.61	0.68	1.03	2.30	130.61	-					Outlet	53	
	1895	m³/s	0.387	0.355	0.315	0.272	0.236	0.177	0.102	-	-	-	-	-	19.7		0.134	1.40	Inlet	42	
		W/(L/s)	0.39	0.42	0.48	0.55	0.61	0.77	1.32	-	-	-	-	-					Outlet	46	
SEL355/2-1AC	2776	m³/s	1.372	1.358	1.344	1.330	1.315	1.283	1.250	1.215	1.177	1.137	1.093	0.988	50.5	61.2	0.955	4.30	Inlet	59	
		W/(L/s)	0.64	0.65	0.66	0.67	0.68	0.70	0.73	0.77	0.81	0.85	0.89	0.99					Outlet	63	
	2530	m³/s	1.253	1.233	1.213	1.192	1.171	1.129	1.085	1.040	0.991	0.939	0.877	0.636	45.5		0.765	4.80	Inlet	56	
		W/(L/s)	0.59	0.60	0.61	0.63	0.64	0.68	0.72	0.77	0.82	0.88	0.94	1.12					Outlet	60	
	2295	m³/s	1.119	1.093	1.063	1.032	0.999	0.932	0.865	0.797	0.724	0.634	0.493	0.211	34.5		0.613	5.10	Inlet	52	
		W/(L/s)	0.58	0.59	0.61	0.63	0.66	0.73	0.81	0.88	0.96	1.04	1.17	2.51					Outlet	55	
	1825	m³/s	0.827	0.790	0.750	0.704	0.652	0.544	0.448	0.362	0.267	0.011	-	-	20.2		0.446	4.90	Inlet	45	
		W/(L/s)	0.59	0.61	0.64	0.69	0.76	0.91	1.05	1.24	1.61	41.54	-	-					Outlet	49	
SEL355/4-1AC	1438	m³/s	0.714	0.691	0.663	0.629	0.590	0.484	0.098	0.030	-	-	-	-	46.8	66	0.150	0.70	Inlet	43	
		W/(L/s)	0.20	0.21	0.22	0.24	0.26	0.31	1.28	4.60	-	-	-	-					Outlet	45	
	1365	m³/s	0.677	0.647	0.611	0.569	0.524	0.383	0.071	-	-	-	-	-	49.4		0.120	0.70	Inlet	42	
		W/(L/s)	0.17	0.18	0.20	0.22	0.24	0.31	1.43	-	-	-	-	-					Outlet	44	
	1275	m³/s	0.593	0.529	0.434	0.380	0.322	0.126	-	-	-	-	-	-	35.7		0.090	0.90	Inlet	33	
		W/(L/s)	0.18	0.20	0.27	0.30	0.32	0.66	-	-	-	-	-	-					Outlet	38	
	940	m³/s	0.343	0.227	0.176	0.132	-	-	-	-	-	-	-	-	14.0		0.071	0.90	Inlet	18	
		W/(L/s)	0.22	0.33	0.41	0.54	-	-	-	-	-	-	-	-					Outlet	20	
																		Breakout	9		

Data provided is at standard air density of 1.2 kg/m³.

Data in accordance with ErP 327/2011 of the European Parliament. Measurement category used to determine energy efficiency: A.

Peak Amps @ 230V / 1PH / 50Hz.

The overall A-weighted sound pressure level is at a distance of 3m with spherical free-field propagation. It is expressed in dB re-20µPa and is presented for comparative purposes only.

MULTIFLOW SEL



Performance, SFP & Electrical Data

Single Phase 220V to 240V / 50Hz

Product Code	Speed r/min	Airflow SFP	Airflow m³/s @static Pressure Pa												At Best Efficiency Point			Electrical Data		dBA @ 3m	
			0	25	50	75	100	150	200	250	300	350	400	500	Overall Eff %	FMEG N	Input kW	Peak Amps			
SEL400/4-1AC	1440	m³/s	0.957	0.930	0.900	0.866	0.825	0.700	0.287	0.135	0.053	-	-	-	45.8	63.4	0.211	0.90	Inlet	49	
		W/(L/s)	0.20	0.21	0.23	0.24	0.26	0.31	0.60	1.35	3.68	-	-	-					Outlet	53	
	1385	m³/s	0.918	0.888	0.853	0.811	0.763	0.616	0.222	0.115	-	-	-	-	52.0		0.176	1.10	Inlet	47	
		W/(L/s)	0.18	0.19	0.21	0.22	0.24	0.29	0.65	1.34	-	-	-	-					Outlet	51	
	1305	m³/s	0.863	0.822	0.773	0.718	0.655	0.439	0.166	0.054	-	-	-	-	45.3		0.153	1.20	Inlet	47	
		W/(L/s)	0.18	0.19	0.21	0.24	0.27	0.33	0.81	2.82	-	-	-	-					Outlet	51	
	1140	m³/s	0.588	0.496	0.398	0.339	0.289	-	-	-	-	-	-	-	25.4		0.115	1.40	Inlet	47	
		W/(L/s)	0.22	0.27	0.33	0.38	0.42	-	-	-	-	-	-	-					Outlet	51	
																		Breakout	47		
																			Breakout	39	
SEL450/4-1AC	1435	m³/s	1.445	1.414	1.380	1.345	1.307	1.223	1.119	0.959	0.265	0.159	0.063	-	50.0	64.2	0.445	2.40	Inlet	50	
		W/(L/s)	0.29	0.30	0.31	0.32	0.33	0.37	0.41	0.46	1.37	2.41	6.41	-					Outlet	55	
	1380	m³/s	1.394	1.357	1.319	1.279	1.238	1.147	1.031	0.394	0.214	0.107	-	-	58.6		0.360	2.30	Inlet	49	
		W/(L/s)	0.24	0.25	0.26	0.27	0.29	0.32	0.36	0.70	1.36	2.97	-	-					Outlet	54	
	1300	m³/s	1.328	1.285	1.237	1.186	1.131	1.008	0.837	0.302	0.146	-	-	-	50.9		0.346	2.50	Inlet	49	
		W/(L/s)	0.23	0.24	0.26	0.28	0.30	0.34	0.40	0.84	1.92	-	-	-					Outlet	52	
	1115	m³/s	1.037	0.957	0.842	0.743	0.659	0.498	0.186	-	-	-	-	-	30.9		0.276	2.90	Inlet	46	
		W/(L/s)	0.25	0.27	0.32	0.37	0.41	0.49	1.28	-	-	-	-	-					Outlet	45	
																		Breakout	44		
																			Breakout	44	
SEL500/4-1AC	1352	m³/s	1.950	1.902	1.857	1.814	1.772	1.685	1.591	1.479	1.315	0.343	0.196	-	48.7	60.5	0.747	3.30	Inlet	54	
		W/(L/s)	0.34	0.35	0.36	0.37	0.39	0.42	0.46	0.50	0.56	1.68	3.15	-					Outlet	55	
	1235	m³/s	1.783	1.735	1.682	1.626	1.567	1.441	1.298	1.103	0.341	0.178	0.025	-	46.3		0.580	3.70	Inlet	51	
		W/(L/s)	0.30	0.31	0.32	0.34	0.36	0.42	0.48	0.54	1.34	2.83	22.05	-					Outlet	52	
	1120	m³/s	1.620	1.540	1.453	1.365	1.274	1.082	0.833	0.373	0.072	-	-	-	34.3		0.470	4.00	Inlet	49	
		W/(L/s)	0.30	0.31	0.34	0.37	0.41	0.50	0.59	1.08	6.55	-	-	-					Outlet	51	
	900	m³/s	1.149	1.046	0.826	0.693	0.592	0.380	-	-	-	-	-	-	17.9		0.344	3.70	Inlet	44	
		W/(L/s)	0.32	0.35	0.47	0.55	0.62	0.88	-	-	-	-	-	-					Outlet	46	
																		Breakout	46		
																			Breakout	46	
SEL560/4-1AC	1401	m³/s	2.645	2.610	2.571	2.530	2.485	2.380	2.253	2.094	1.883	1.491	0.693	0.339	49.0	59.3	1.035	5.50	Inlet	61	
		W/(L/s)	0.38	0.39	0.40	0.41	0.42	0.45	0.49	0.53	0.57	0.66	1.23	2.72					Outlet	64	
	1310	m³/s	2.516	2.474	2.428	2.379	2.325	2.202	2.051	1.854	1.538	0.825	0.526	0.179	51.6		0.891	5.60	Inlet	59	
		W/(L/s)	0.35	0.36	0.37	0.38	0.40	0.43	0.47	0.52	0.58	0.89	1.42	4.75					Outlet	61	
	1205	m³/s	2.357	2.278	2.200	2.124	2.046	1.878	1.674	1.366	0.827	0.494	0.266	-	42.9		0.782	6.10	Inlet	56	
		W/(L/s)	0.33	0.35	0.37	0.40	0.42	0.46	0.52	0.58	0.82	1.39	2.80	-					Outlet	58	
	1030	m³/s	1.891	1.811	1.713	1.602	1.482	1.225	0.906	0.407	-	-	-	-	28.9		0.637	6.70	Inlet	50	
		W/(L/s)	0.37	0.39	0.42	0.46	0.50	0.57	0.69	1.48	-	-	-	-					Outlet	52	
																		Breakout	44		
																			Breakout	44	
SEL630/4-1AC	1371	m³/s	3.887	3.831	3.775	3.717	3.660	3.544	3.425	3.304	3.176	3.039	2.887	2.447	55.3	62.3	2.140	9.60	Inlet	62	
		W/(L/s)	0.49	0.50	0.51	0.52	0.53	0.55	0.58	0.62	0.66	0.70	0.74	0.86					Outlet	64	
	1245	m³/s	3.532	3.472	3.411	3.350	3.288	3.159	3.024	2.877	2.709	2.503	2.186	0.617	52.6		1.660	10.40	Inlet	57	
		W/(L/s)	0.45	0.46	0.46	0.47	0.48	0.51	0.54	0.58	0.63	0.69	0.76	2.11					Outlet	60	
	1125	m³/s	3.196	3.111	3.025	2.938	2.849	2.666	2.467	2.238	1.940	1.407	0.716	-	41.8		1.340	10.60	Inlet	57	
		W/(L/s)	0.42	0.43	0.44	0.46	0.48	0.53	0.59	0.65	0.73	0.87	1.55	-					Outlet	58	
	950	m³/s	2.665	2.582	2.472	2.313	2.097	1.700	1.392	1.080	0.216	-	-	-	26.4		1.049	10.80	Inlet	52	
		W/(L/s)	0.43	0.44	0.46	0.50	0.55	0.68	0.79	0.95	4.69	-	-	-					Outlet	54	
																		Breakout	44		
																			Breakout	44	

Data provided is at standard air density of 1.2 kg/m³.

Data in accordance with ErP 327/2011 of the European Parliament. Measurement category used to determine energy efficiency: A.

Peak Amps @ 230V / 1PH / 50Hz.

The overall A-weighted sound pressure level is at a distance of 3m with spherical free-field propagation. It is expressed in dB re-20µPa and is presented for comparative purposes only.

MULTIFLOW SEL



Performance, SFP & Electrical Data

Three Phase 380V to 415V / 50Hz

Product Code	Speed r/min	Airflow SFP	Airflow m ³ / s @static Pressure Pa												At Best Efficiency Point			Electrical Data		dBA @ 3m	
			0	25	50	75	100	150	200	250	300	350	400	500	Overall Eff %	FMEG	Input kW	Peak Amps	Frequency Hz		
SEL250/2-13PAC*	3630	m ³ / s	0.621	0.613	0.606	0.598	0.590	0.573	0.556	0.537	0.516	0.493	0.466	0.184	57.5	72	0.419	1.50	65	Inlet	59
		W / (L/s)	0.55	0.56	0.57	0.58	0.60	0.63	0.66	0.69	0.73	0.77	0.82	1.49						Outlet	62
SEL315/2-13PAC*	2920	m ³ / s	0.989	0.979	0.968	0.956	0.945	0.920	0.893	0.865	0.836	0.804	0.770	0.681	63.8	74.8	0.908	3.00	50	Inlet	58
		W / (L/s)	0.49	0.50	0.51	0.52	0.53	0.56	0.59	0.62	0.66	0.70	0.74	0.83						Outlet	67
SEL355/2-13PAC*	2860	m ³ / s	1.379	1.367	1.354	1.341	1.327	1.297	1.265	1.230	1.193	1.153	1.111	1.015	60.2	71.2	0.907	3.20	50	Inlet	60
		W / (L/s)	0.59	0.60	0.61	0.62	0.63	0.65	0.68	0.71	0.75	0.79	0.83	0.92						Outlet	65
SEL400/2-3PAC	2890	m ³ / s	1.922	1.911	1.899	1.886	1.873	1.847	1.818	1.787	1.754	1.719	1.680	1.593	60.7	69.3	1.500	3.20	50	Inlet	67
		W / (L/s)	0.73	0.73	0.74	0.75	0.76	0.78	0.80	0.83	0.86	0.88	0.91	0.98						Outlet	72
SEL400/4-3PAC*	2180	m ³ / s	1.432	1.416	1.399	1.381	1.361	1.317	1.266	1.206	1.135	1.048	0.919	0.314	59.3	71.9	0.628	2.70	75	Inlet	57
		W / (L/s)	0.41	0.42	0.43	0.44	0.45	0.48	0.51	0.54	0.58	0.63	0.68	1.61						Outlet	63
SEL450/4-3PAC*	2000	m ³ / s	1.942	1.921	1.899	1.876	1.851	1.799	1.743	1.682	1.616	1.544	1.462	1.218	61.1	70.7	1.195	4.40	70	Inlet	60
		W / (L/s)	0.46	0.46	0.47	0.48	0.49	0.52	0.55	0.58	0.62	0.66	0.70	0.80						Outlet	64
SEL500/4-3PAC*	2040	m ³ / s	2.740	2.715	2.690	2.664	2.638	2.583	2.526	2.467	2.406	2.342	2.275	2.129	64.0	71.6	1.891	7.10	70	Inlet	61
		W / (L/s)	0.59	0.60	0.61	0.61	0.62	0.64	0.67	0.70	0.74	0.77	0.82	0.90						Outlet	72
SEL560/4-3PAC	1410	m ³ / s	2.691	2.653	2.612	2.568	2.519	2.409	2.279	2.122	1.922	1.589	0.680	0.339	58.6	68	1.270	2.80	50	Inlet	63
		W / (L/s)	0.35	0.36	0.37	0.38	0.40	0.43	0.46	0.50	0.54	0.61	1.13	2.49						Outlet	65
SEL630/4-3PAC	1430	m ³ / s	4.004	3.964	3.922	3.878	3.832	3.733	3.626	3.511	3.390	3.260	3.121	2.791	64.3	70.2	2.750	5.40	50	Inlet	67
		W / (L/s)	0.47	0.48	0.49	0.49	0.50	0.52	0.55	0.58	0.61	0.65	0.69	0.78						Outlet	70
SEL710/4-3PAC	1410	m ³ / s	5.672	5.633	5.590	5.546	5.498	5.394	5.278	5.149	5.008	4.859	4.702	4.372	66.2	70.9	3.574	7.30	50	Inlet	69
		W / (L/s)	0.60	0.61	0.61	0.61	0.62	0.63	0.65	0.68	0.71	0.74	0.78	0.86						Outlet	71

Data provided is at standard air density of 1.2 kg/m³.

Overall static efficiency, r/min and FMEG values are per ISO 12759. Installation Category A.

* THREE Phase - 230V / 50Hz

Peak Amps @ 400V / 3PH / 50Hz.

The overall A-weighted sound pressure level is at a distance of 3m with spherical free-field propagation. It is expressed in dB re-20µPa and is presented for comparative purposes only.

MULTIFLOW SEL



Performance, SFP & Electrical Data

Single Phase 230V / 50Hz

Product Code	Control Voltage	Speed r/min	Airflow SFP	Airflow m³/s @static Pressure Pa												At Best Efficiency Point			Electrical Data		dBA @ 3m	
				0	25	50	75	100	150	200	250	300	350	400	500	Overall Eff %	FMEG N	Input kW	Peak Amps			
SEL150-1PEC	Mains	3275	m³/s	0.261	0.257	0.253	0.249	0.244	0.234	0.223	0.212	0.199	0.185	0.167	0.019	44.4	63.2	0.163	0.90	Inlet	55	
			W/(L/s)	0.69	0.70	0.71	0.72	0.73	0.77	0.80	0.84	0.89	0.94	1.00	5.82					Outlet	56	
SEL200-1PEC	Mains	3203	m³/s	0.297	0.293	0.289	0.285	0.280	0.270	0.260	0.248	0.236	0.223	0.209	0.159	56.3	74.8	0.170	0.80	Inlet	58	
			W/(L/s)	0.52	0.53	0.54	0.56	0.57	0.60	0.64	0.68	0.72	0.76	0.82	1.02					Outlet	58	
SEL400-1PEC	Mains	2972	m³/s	1.980	1.965	1.950	1.934	1.919	1.887	1.855	1.822	1.787	1.751	1.713	1.629	64.4	73.0	1.512	8.80	Inlet	66	
			W/(L/s)	0.71	0.72	0.73	0.74	0.75	0.77	0.79	0.81	0.84	0.86	0.89	0.94					Outlet	70	
SEL450-1PEC	Mains	2490	m³/s	2.404	2.391	2.377	2.362	2.347	2.315	2.279	2.239	2.195	2.147	2.094	1.975	71.0	79.2	1.670	9.90	Inlet	76	
			W/(L/s)	0.64	0.65	0.65	0.66	0.67	0.68	0.70	0.72	0.74	0.76	0.79	0.85					Outlet	69	
																			Breakout	57		

Data provided is at standard air density of 1.2 kg/m³.

Data in accordance with ErP 327/2011 of the European Parliament. Measurement category used to determine energy efficiency: A.

A variable speed drive is integrated within the fan.

Peak Amps @ 230V / 1PH / 50Hz.

The overall A-weighted sound pressure level is at a distance of 3m with spherical free-field propagation. It is expressed in dB re-20µPa and is presented for comparative purposes only.

MULTIFLOW SEL



Performance, SFP & Electrical Data

Three Phase 400V / 50Hz

Product Code	Control Voltage	Speed r/min	Airflow SFP	Airflow m ³ /s @static Pressure Pa												At Best Efficiency Point			Electrical Data		dBA @ 3m	
				0	25	50	75	100	150	200	250	300	350	400	500	Overall Eff %	FMEG N	Input kW	Peak Amps			
SEL500-3PEC	Mains	2080	m ³ /s	3.012	2.988	2.962	2.934	2.905	2.842	2.772	2.698	2.620	2.542	2.463	2.304	74.2	81.9	1.844	3.30	Inlet	63	
			W/(L/s)	0.60	0.61	0.61	0.62	0.62	0.64	0.65	0.67	0.69	0.72	0.75	0.80					Outlet	71	
SEL560-3PEC	Mains	1930	m ³ /s	3.630	3.611	3.592	3.571	3.549	3.501	3.448	3.386	3.316	3.235	3.142	2.913	67.4	74.1	2.303	4.40	Inlet	69	
			W/(L/s)	0.60	0.61	0.61	0.62	0.63	0.65	0.66	0.69	0.71	0.74	0.77	0.84					Outlet	72	
SEL630-3PEC	Mains	1500	m ³ /s	4.213	4.161	4.107	4.052	3.997	3.885	3.772	3.659	3.547	3.433	3.316	3.060	75.4	82.5	2.117	3.80	Inlet	66	
			W/(L/s)	0.48	0.48	0.48	0.48	0.49	0.51	0.53	0.56	0.59	0.62	0.66	0.73					Outlet	68	
SEL710-3PEC	Mains	1410	m ³ /s	5.652	5.603	5.552	5.499	5.445	5.329	5.205	5.073	4.933	4.783	4.623	4.260	73.8	79.1	3.117	5.70	Inlet	65	
			W/(L/s)	0.48	0.49	0.50	0.51	0.51	0.53	0.55	0.58	0.60	0.63	0.66	0.73					Outlet	69	
																			Breakout	57		

Data provided is at standard air density of 1.2 kg/m³.

Data in accordance with ErP 327/2011 of the European Parliament. Measurement category used to determine energy efficiency: A.

A variable speed drive is integrated within the fan.

Peak Amps @ 400V / 3PH / 50Hz.

The overall A-weighted sound pressure level is at a distance of 3m with spherical free-field propagation. It is expressed in dB re-20μPa and is presented for comparative purposes only.

MULTIFLOW SEL



Sound Data

Single Phase 220V to 240V / 50Hz

Product Code	Sound r/min		Sound Power Level dBW @ Octave Band Hz								Total dB
			63 Hz	125 Hz	250 Hz	500 Hz	1k Hz	2k Hz	4k Hz	8k Hz	
SEL250/2-1AC	2684	Inlet	-	36	47	57	63	66	67	56	70
		Outlet	-	41	57	63	69	69	65	54	74
		Breakout	-	36	35	34	45	44	41	35	49
	2435	Inlet	-	40	45	55	62	65	66	54	70
		Outlet	-	41	57	62	68	69	64	52	73
		Breakout	-	37	34	33	45	44	41	34	49
	2100	Inlet	-	54	40	50	56	56	49	39	61
		Outlet	-	56	47	52	59	58	50	36	63
		Breakout	-	48	36	38	39	38	31	21	49
	1490	Inlet	-	51	36	45	49	44	31	26	54
		Outlet	-	54	49	47	54	50	33	23	59
		Breakout	-	43	34	35	33	28	15	8	45
SEL315/2B-1AC	2776	Inlet	-	48	64	69	70	70	69	66	76
		Outlet	-	50	70	75	78	75	71	65	81
		Breakout	-	46	50	52	57	54	53	46	61
	2540	Inlet	-	44	58	64	66	66	67	64	73
		Outlet	-	42	67	71	73	71	67	62	78
		Breakout	-	44	47	50	53	52	50	43	58
	2295	Inlet	-	45	51	60	62	62	64	58	69
		Outlet	-	42	64	66	69	66	63	56	73
		Breakout	-	42	45	48	50	48	47	39	55
	1760	Inlet	-	44	50	53	56	56	56	43	62
		Outlet	-	52	56	61	64	60	56	45	68
		Breakout	-	37	39	42	42	39	37	25	48
SEL315/2A-1AC	2819	Inlet	-	49	63	68	70	69	66	57	75
		Outlet	-	50	69	73	75	73	66	58	79
		Breakout	-	44	46	49	53	51	49	45	57
	2640	Inlet	-	52	63	68	68	67	63	55	73
		Outlet	-	48	67	71	73	70	64	55	77
		Breakout	-	39	41	45	49	48	45	40	54
	2425	Inlet	-	44	56	63	65	64	59	50	70
		Outlet	-	46	62	67	71	67	60	51	74
		Breakout	-	40	41	44	49	45	41	36	52
	1895	Inlet	-	41	49	60	58	55	47	37	63
		Outlet	-	44	55	63	64	59	50	39	68
		Breakout	-	37	36	39	43	38	32	24	47
SEL355/2-1AC	2776	Inlet	-	47	64	70	75	74	71	64	79
		Outlet	-	54	70	76	80	77	72	64	83
		Breakout	-	45	55	55	58	56	55	45	63
	2530	Inlet	-	46	62	67	72	71	68	60	76
		Outlet	-	50	65	74	77	74	69	60	81
		Breakout	-	44	48	51	55	53	52	40	60
	2295	Inlet	-	48	58	65	68	67	64	55	73
		Outlet	-	49	64	71	72	69	65	55	76
		Breakout	-	41	46	51	52	49	48	35	57
	1825	Inlet	-	42	52	60	61	61	54	44	66
		Outlet	-	52	57	67	66	62	57	44	71
		Breakout	-	40	43	51	45	42	38	23	53

Data provided at standard air density of 1.2 kg/m³.
 Tests and preparation of the sound data have been carried out at operating point with the highest static efficiency.
 The Sound Power Level Spectra are in dB re-1pW.

MULTIFLOW SEL



Sound Data

Single Phase 220V to 240V / 50Hz

Product Code	Sound r/min		Sound Power Level dBW @ Octave Band Hz								Total dB
			63 Hz	125 Hz	250 Hz	500 Hz	1k Hz	2k Hz	4k Hz	8k Hz	
SEL355/4-1AC	1438	Inlet	-	44	55	58	60	57	55	44	64
		Outlet	-	54	56	62	63	57	53	41	67
		Breakout	-	42	39	40	43	39	39	25	48
	1365	Inlet	-	45	53	57	58	56	55	42	63
		Outlet	-	54	54	61	62	57	52	39	66
		Breakout	-	40	34	39	41	38	38	22	47
	1275	Inlet	-	34	48	50	49	47	40	27	55
		Outlet	-	42	48	56	56	50	43	29	60
		Breakout	-	34	30	35	34	33	24	13	41
	940	Inlet	-	24	42	38	31	24	19	10	44
		Outlet	-	26	38	41	37	24	21	12	44
		Breakout	-	26	24	27	21	18	24	22	32
SEL400/4-1AC	1440	Inlet	-	49	56	67	64	63	57	47	70
		Outlet	-	61	60	71	70	65	60	50	75
		Breakout	-	48	44	58	57	49	48	37	61
	1385	Inlet	-	44	55	63	62	62	56	46	68
		Outlet	-	56	60	70	68	64	58	48	73
		Breakout	-	44	42	58	54	48	46	36	60
	1305	Inlet	-	47	55	65	62	62	55	44	68
		Outlet	-	56	58	70	67	63	57	46	73
		Breakout	-	45	40	56	53	47	45	35	59
	1140	Inlet	-	46	48	70	58	54	44	31	70
		Outlet	-	50	52	74	58	52	44	33	74
		Breakout	-	44	41	70	46	40	35	26	70
SEL450/4-1AC	1435	Inlet	-	55	62	65	67	65	59	50	72
		Outlet	-	64	65	72	72	67	62	52	77
		Breakout	-	52	60	61	62	56	50	39	66
	1380	Inlet	-	52	58	63	66	64	58	49	70
		Outlet	-	61	63	70	72	66	60	50	75
		Breakout	-	42	54	60	60	52	48	36	64
	1300	Inlet	-	52	57	63	65	65	57	48	70
		Outlet	-	59	59	69	69	65	59	48	73
		Breakout	-	45	55	61	58	52	48	35	64
	1115	Inlet	-	49	58	65	61	59	50	39	68
		Outlet	-	50	57	65	62	56	48	37	68
		Breakout	-	46	64	66	53	43	39	24	68
SEL500/4-1AC	1352	Inlet	29	60	66	70	71	67	63	52	75
		Outlet	29	65	66	73	71	67	63	52	77
		Breakout	-	47	61	65	63	59	53	39	68
	1235	Inlet	33	54	62	70	68	64	59	48	73
		Outlet	30	57	62	71	69	64	59	48	74
		Breakout	-	53	58	69	68	59	51	40	72
	1120	Inlet	33	50	61	68	65	63	56	44	71
		Outlet	28	55	59	71	66	62	55	43	73
		Breakout	0	54	49	72	60	53	41	30	72
	900	Inlet	34	48	57	65	59	55	45	33	67
		Outlet	37	50	56	68	60	54	45	34	69
		Breakout	0	48	49	69	57	40	31	24	69

Data provided at standard air density of 1.2 kg/m³.
 Tests and preparation of the sound data have been carried out at operating point with the highest static efficiency.
 The Sound Power Level Spectra are in dB re-1pW.

MULTIFLOW SEL



Sound Data

Single Phase 220V to 240V / 50Hz

Product Code	Speed r/min		Sound Power Level dBW @ Octave Band Hz								Total dB
			63 Hz	125 Hz	250 Hz	500 Hz	1k Hz	2k Hz	4k Hz	8k Hz	
SEL560/4-1AC	1401	Inlet	-	68	78	78	76	75	69	59	83
		Outlet	-	72	81	84	78	75	70	61	87
		Breakout	-	69	76	75	67	65	58	50	79
	1310	Inlet	-	65	72	75	75	73	67	57	80
		Outlet	-	70	76	79	77	73	68	58	83
		Breakout	-	59	68	68	66	62	55	46	73
	1205	Inlet	-	59	68	73	72	70	63	54	77
		Outlet	-	68	73	78	74	71	65	55	81
		Breakout	-	60	66	70	65	61	54	47	73
	1030	Inlet	-	54	64	68	66	65	57	47	72
		Outlet	-	61	66	72	68	64	58	48	75
		Breakout	-	60	64	65	57	54	47	37	69
SEL630/4-1AC	1371	Inlet	-	69	75	80	78	75	68	61	84
		Outlet	-	72	78	83	80	77	73	62	86
		Breakout	-	67	73	72	68	66	60	49	77
	1245	Inlet	-	68	70	77	71	69	63	57	80
		Outlet	-	72	74	79	75	74	69	59	83
		Breakout	-	67	71	70	63	67	59	46	75
	1125	Inlet	-	66	71	76	72	70	62	55	79
		Outlet	-	68	73	79	72	69	62	54	81
		Breakout	-	68	71	71	62	62	50	42	75
	950	Inlet	-	59	68	72	66	65	54	47	75
		Outlet	-	62	69	75	67	65	57	48	77
		Breakout	-	63	66	65	54	54	41	34	70

Data provided at standard air density of 1.2 kg/m³.
 Tests and preparation of the sound data have been carried out at operating point with the highest static efficiency.
 The Sound Power Level Spectra are in dB re-1pW.

MULTIFLOW SEL



Sound Data

Three Phase 380V to 415V / 50Hz

Product Code	Speed r/min		Sound Power Level dBW @ Octave Band Hz								Total dB
			63Hz	125Hz	250Hz	500Hz	1 kHz	2 kHz	4 kHz	8 kHz	
SEL250/2-13PAC*	3630	Inlet	44	48	58	70	73	74	73	66	79
		Outlet	43	51	61	73	78	77	73	65	82
		Breakout	52	37	45	48	56	58	63	47	65
SEL315/2-13PAC*	2920	Inlet	-	44	59	70	74	73	71	70	79
		Outlet	-	52	67	78	85	81	74	68	87
		Breakout	-	49	49	64	67	60	59	51	70
SEL355/2-13PAC*	2860	Inlet	-	49	70	72	76	75	73	67	81
		Outlet	-	55	73	80	82	79	74	66	85
		Breakout	-	53	57	60	63	59	58	48	67
SEL400/2-3PAC	2890	Inlet	-	61	78	79	81	83	78	69	87
		Outlet	-	65	79	89	88	85	82	73	93
		Breakout	-	56	80	76	75	70	68	59	82
SEL400/4-3PAC*	2180	Inlet	-	54	69	72	73	73	68	60	79
		Outlet	-	57	73	80	80	76	72	63	84
		Breakout	-	47	50	62	64	60	58	48	68
SEL450/4-3PAC*	2000	Inlet	-	52	69	72	75	76	74	65	81
		Outlet	-	58	74	81	81	78	75	66	86
		Breakout	-	49	60	67	68	63	61	50	72
SEL500/4-3PAC*	2040	Inlet	-	57	73	77	77	76	73	65	83
		Outlet	-	73	81	89	89	85	80	72	93
		Breakout	-	71	76	73	69	64	63	58	79
SEL560/4-3PAC	1410	Inlet	-	66	82	79	79	77	71	61	86
		Outlet	-	70	82	83	82	78	72	63	88
		Breakout	-	57	86	73	71	67	60	50	86
SEL630/4-3PAC	1430	Inlet	-	66	84	82	85	78	72	64	89
		Outlet	-	72	82	87	87	82	78	68	91
		Breakout	-	66	71	81	76	72	63	55	83
SEL710/4-3PAC	1410	Inlet	-	74	86	86	86	82	75	66	92
		Outlet	-	73	88	88	87	84	77	67	93
		Breakout	-	69	79	80	79	73	62	55	85

Data provided at standard air density of 1.2 kg/m³.
 Tests and preparation of the sound data have been carried out at operating point with the highest static efficiency.
 The Sound Power Level Spectra are in dB re-1pW.

MULTIFLOW SEL



Sound Data

Single Phase 230V / 50Hz

Product Code	Control Voltage		Sound Power Level dBW @ Octave Band Hz							Total dB	
			63Hz	125Hz	250Hz	500Hz	1 kHz	2 kHz	4 kHz		8 kHz
SEL150-1PEC	Mains	Inlet	39	48	57	68	70	71	67	59	75
		Outlet	38	49	61	70	73	71	66	59	77
		Breakout	44	41	51	58	67	65	56	50	70
SEL200-1PEC	Mains	Inlet	37	42	54	66	73	74	70	62	78
		Outlet	41	42	55	69	75	74	69	61	79
		Breakout	44	33	53	56	64	64	56	48	68
SEL400-1PEC	Mains	Inlet	11	56	74	78	81	82	78	69	9
		Outlet	-	58	76	86	86	84	80	71	9
		Breakout	-	49	59	72	72	69	69	59	9
SEL450-1PEC	Mains	Inlet	30	69	83	89	92	91	89	80	81
		Outlet	10	61	75	86	86	83	80	70	91
		Breakout	10	48	66	75	73	70	67	58	78

Data provided at standard air density of 1.2 kg/m³.
 Tests and preparation of the sound data have been carried out at operating point with the highest static efficiency.
 The Sound Power Level Spectra are in dB re-1pW.

MULTIFLOW SEL



Sound Data

Three Phase 400V / 50Hz

Product Code	Control Voltage		Sound Power Level dBW @ Octave Band Hz							Total dB	
			63Hz	125Hz	250Hz	500Hz	1 kHz	2 kHz	4 kHz		8 kHz
SEL500-3PEC	Mains	Inlet	-	63	73	78	80	77	74	66	84
		Outlet	-	74	78	89	88	83	79	70	92
		Breakout	-	55	67	73	74	65	62	57	78
SEL560-3PEC	Mains	Inlet	-	71	81	86	86	83	77	67	91
		Outlet	-	74	82	90	88	85	79	70	94
		Breakout	-	60	72	79	77	73	66	57	82
SEL630-3PEC	Mains	Inlet	-	73	79	83	83	81	74	66	88
		Outlet	-	73	82	86	85	82	76	66	90
		Breakout	-	62	73	78	75	71	61	54	81
SEL710-3PEC	Mains	Inlet	-	72	78	82	81	79	74	67	87
		Outlet	-	77	85	87	85	82	76	68	92
		Breakout	-	64	72	76	73	70	62	55	80

Data provided at standard air density of 1.2 kg/m³.
 Tests and preparation of the sound data have been carried out at operating point with the highest static efficiency.
 The Sound Power Level Spectra are in dB re-1pW.

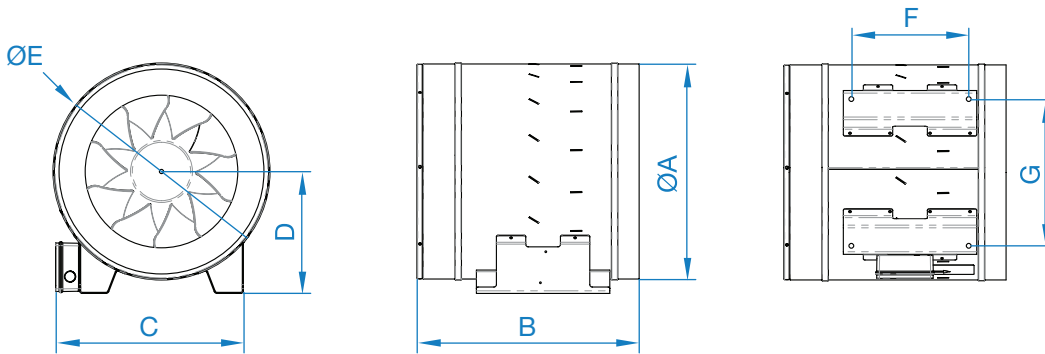
MULTIFLOW SEL



Dimensional Data

Single Phase

Product Code	Ø A	B	C	D	Ø E	F	G	Weight kg
SEL250/2-1AC	250	215	245	132	254	90	220	5
SEL315/2B-1AC	315	351	332	164	319	160	260	15
SEL315/2A-1AC	315	308	311	161	315	120	239	8
SEL355/2-1AC	355	396	371	184	358	175	300	17
SEL355/4-1AC	355	396	371	184	358	175	300	14
SEL400/4-1AC	400	417	352	229	407	220	275	13
SEL450/4-1AC	450	467	402	239	457	250	310	18
SEL500/4-1AC	500	516	443	259	507	250	360	23
SEL560/4-1AC	560	582	468	289	568	250	440	38
SEL630/4-1AC	630	654	583	324	638	290	490	43



Dimensions are in mm.

MULTIFLOW SEL



Accessories

Single Phase

Product Code	Damper	Electric Heater Battery	Fast Clamps (each)	Matching Flanges (each)	Panel Filter	Spigot Silencer 300mm Long
SEL250/2-1AC	018-250-DAMPER	018-CV25-30-1M	018-250-CLAMP	-	018-0250-FILT-P	068-0250-JF1
SEL315/2B-1AC	018-315-DAMPER	018-CV31-30-1M	018-315-CLAMP	-	018-0315-FILT-P	068-0315-JF1
		018-CV31-45-1M				
		018-CV31-90-3M				
SEL315/2A-1AC	018-315-DAMPER	018-CV31-30-1M	018-315-CLAMP	-	018-0315-FILT-P	068-0315-JF1
		018-CV31-45-1M				
		018-CV31-90-3M				
SEL355/2-1AC	018-355-DAMPER	018-CV35-90-3M	018-355-CLAMP	-	018-0355-FILT-P	068-0355-JF1
SEL355/4-1AC	018-355-DAMPER	018-CV35-90-3M	018-355-CLAMP	-	018-0355-FILT-P	068-0355-JF1
SEL400/4-1AC	018-400-DAMPER	018-CV40-90-3M	018-400-CLAMP	-	018-0400-FILT-P	068-0400-JF1
		018-CV40-120-3E				
SEL450/4-1AC	-	-	018-450-CLAMP	061B-0450	-	068-0450-1DENP
SEL500/4-1AC	-	-	018-500-CLAMP	061B-0500	-	068-0500-1DENP
SEL560/4-1AC	-	-	018-560-CLAMP	061B-0560	-	068-0560-1DENP
SEL630/4-1AC	-	-	018-630-CLAMP	061B-0630	-	068-0630-1DENP

Product Code	Spigot Silencer 600mm Long	Spigot Silencer 900mm Long	Spigot Silencer 1200mm Long	Transformer Controller	Wiring Diagram
SEL250/2-1AC	068-0250-JF2	068-0250-JF3	068-0250-JF4	149-TC12	152-539
SEL315/2B-1AC	068-0315-JF2	068-0315-JF3	068-0315-JF4	149-TC14	152-540
SEL315/2A-1AC	068-0315-JF2	068-0315-JF3	068-0315-JF4	149-TC14	152-540
SEL355/2-1AC	068-0355-JF2	068-0355-JF3	068-0355-JF4	149-TC18	152-540
SEL355/4-1AC	068-0355-JF2	068-0355-JF3	068-0355-JF4	149-TC12	152-540
SEL400/4-1AC	068-0400-JF2	068-0400-JF3	068-0400-JF4	149-TC14	152-541
SEL450/4-1AC	068-0450-2DENP	-	-	149-TC14	152-542
SEL500/4-1AC	068-0500-2DENP	-	-	149-TC18	152-542
SEL560/4-1AC	068-0560-2DENP	-	-	149-TC110	152-542
SEL630/4-1AC	068-0630-2DENP	-	-	149-TC116	152-542

MULTIFLOW SEL



Accessories

Three Phase

Product Code	Damper	EC Electronic Controller	Electric Heater Battery	Fast Clamps (each)	Matching Flanges (each)	Panel Filter
SEL250/2-13PAC*	018-250-DAMPER	149-POT-10	018-CV25-30-1M	018-250-CLAMP	-	018-0250-FILT-P
SEL315/2-13PAC*	018-315-DAMPER	149-POT-10	018-CV31-30-1M	018-315-CLAMP	-	018-0315-FILT-P
			018-CV31-45-1M			
			018-CV31-90-3M			
SEL355/2-13PAC*	018-355-DAMPER	149-POT-10	018-CV35-90-3M	018-355-CLAMP	-	018-0355-FILT-P
SEL400/2-3PAC	018-400-DAMPER	149-POT-10	018-CV40-90-3M	018-400-CLAMP	-	018-0400-FILT-P
			018-CV40-120-3E			
SEL400/4-3PAC*	018-400-DAMPER	149-POT-10	018-CV40-90-3M	018-400-CLAMP	-	018-0400-FILT-P
			018-CV40-120-3E			
SEL450/4-3PAC*	-	149-POT-10	-	018-450-CLAMP	061B-0450	-
SEL500/4-3PAC*	-	149-POT-10	-	018-500-CLAMP	061B-0500	018-0500-FILT-P
SEL560/4-3PAC	-	149-POT-10	-	018-560-CLAMP	061B-0560	-
SEL630/4-3PAC	-	149-POT-10	-	018-630-CLAMP	061B-0630	-
SEL710/4-3PAC	-	149-POT-10	-	018-710-CLAMP	061B-0710	-

Product Code	SEL AC Electronic Controller	Spigot Silencer 300mm Long	Spigot Silencer 600mm Long	Spigot Silencer 900mm Long	Spigot Silencer 1200mm Long	Wiring Diagram
SEL250/2-13PAC*	149-FU07501	068-0250-JF1	068-0250-JF2	068-0250-JF3	068-0250-JF4	152-544
SEL315/2-13PAC*	149-FU07501	068-0315-JF1	068-0315-JF2	068-0315-JF3	068-0315-JF4	152-544
SEL355/2-13PAC*	149-FU07501	068-0355-JF1	068-0355-JF2	068-0355-JF3	068-0355-JF4	152-544
SEL400/2-3PAC	149-FU2205	068-0400-JF1	068-0400-JF2	068-0400-JF3	068-0400-JF4	152-544
SEL400/4-3PAC*	149-FU07501	068-0400-JF1	068-0400-JF2	068-0400-JF3	068-0400-JF4	152-544
SEL450/4-3PAC*	149-FU1501	068-0450-1DENP	068-0450-2DENP	-	-	152-544
SEL500/4-3PAC*	149-FU2201	068-0500-1DENP	068-0500-2DENP	-	-	152-544
SEL560/4-3PAC	149-FU2205	068-0560-1DENP	068-0560-2DENP	-	-	152-544
SEL630/4-3PAC	149-FU3004	068-0630-1DENP	068-0630-2DENP	-	-	152-544
SEL710/4-3PAC	149-FU4004	068-0710-1DENP	068-0710-2DENP	-	-	152-544

* THREE Phase - 230V / 50Hz

MULTIFLOW SEL



Accessories

Single Phase

Product Code	EC Controller	EC Electronic Controller	Electric Heater Battery	Fast Clamps (each)	Matching Flanges (each)
SEL150-1PEC	-	149-POT-10	018-CV15-27-1M	018-150-CLAMP	-
SEL200-1PEC	-	149-POT-10	018-CV20-30-1M	018-200-CLAMP	-
SEL400-1PEC	149-ECC1401	149-POT-10	018-CV40-90-3M	018-400-CLAMP	-
			018-CV40-120-3E		
SEL450-1PEC	149-ECC1401	149-POT-10	-	018-450-CLAMP	061B-0450

Product Code	Panel Filter	Spigot / Flanged Silencer 300mm Long	Spigot / Flanged Silencer 600mm Long	Spigot Silencer 900mm Long	Spigot Silencer 1200mm Long	Wiring Diagram
SEL150-1EC	018-0150-FILT-P	068-0150-JF1	068-0150-JF2	068-0150-JF3	068-0150-JF4	152-546
SEL200-1EC	018-0200-FILT-P	068-0200-JF1	068-0200-JF2	068-0200-JF3	068-0200-JF4	152-546
SEL400-1PEC	018-0400-FILT-P	068-0400-JF1	068-0400-JF2	068-0400-JF3	068-0400-JF4	152-547
SEL450-1PEC	-	068-0450-1DENP	068-0450-2DENP	-	-	152-547

MULTIFLOW SEL



Accessories

Three Phase

Product Code	EC Controller	EC Electronic Controller	Fast Clamps (each)	Flanged Silencer 300mm Long
SEL500-3PEC	149-ECC2002	149-POT-10	018-500-CLAMP	068-0500-1DENP
SEL560-3PEC	149-ECC3001	149-POT-10	018-560-CLAMP	068-0560-1DENP
SEL630-3PEC	149-ECC3001	149-POT-10	018-630-CLAMP	068-0630-1DENP
SEL710-3PEC	149-ECC4501	149-POT-10	018-710-CLAMP	068-0710-1DENP

Product Code	Flanged Silencer 600mm Long	Matching Flanges (each)	Panel Filter	Wiring Diagram
SEL500-3PEC	068-0500-2DENP	061B-0500	018-0500-FILT-P	152-547
SEL560-3PEC	068-0560-2DENP	061B-0560	-	152-547
SEL630-3PEC	068-0630-2DENP	061B-0630	-	152-547
SEL710-3PEC	068-0710-2DENP	061B-0710	-	152-547

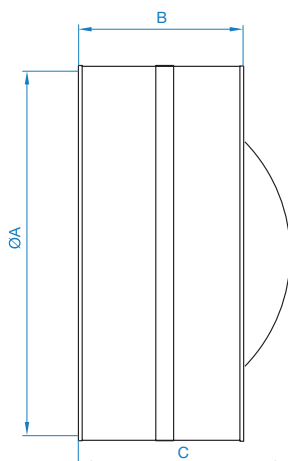
DAMPER

Accessories

- Prevents reverse flow of air when fan is not operating
- Galvanised sheet steel case
- Spring operated aluminium sheet blades



Product Code	Fan Dia. A	B	C	Weight kg
018-250-DAMPER	250	125	190	0.6
018-315-DAMPER	315	125	210	1.3
018-355-DAMPER	355	195	280	1.3
018-400-DAMPER	400	200	300	2.1



Dimensions are in mm.

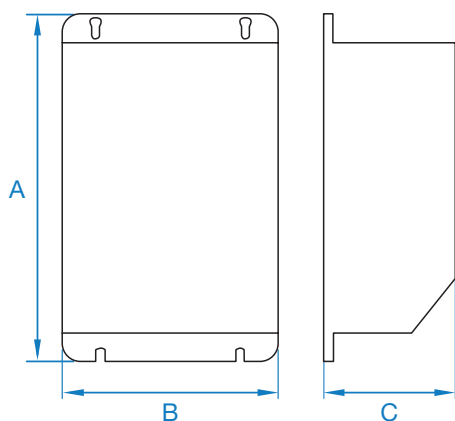
EC CONTROLLER

Accessories

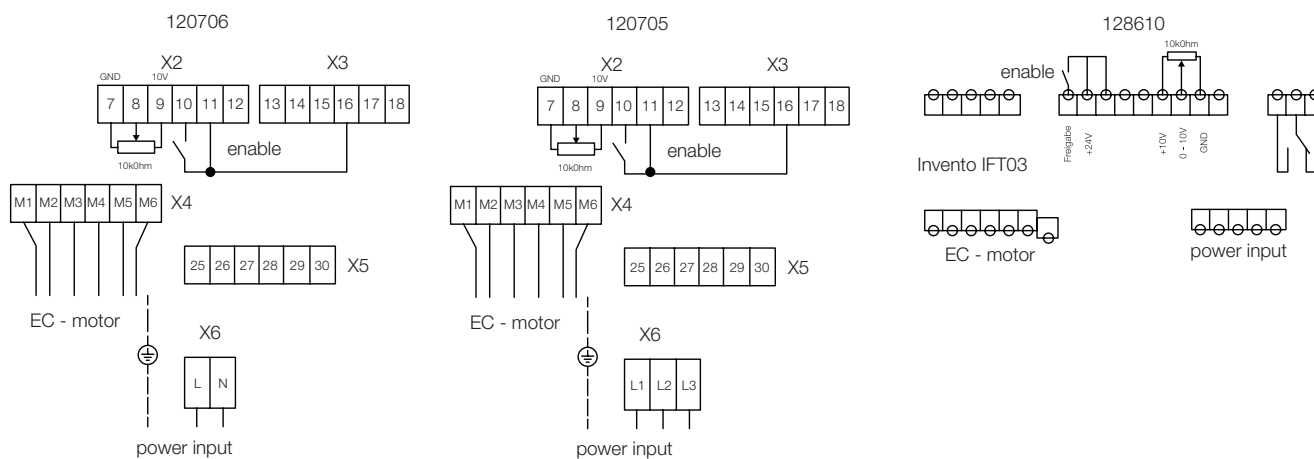
- Adjustable speed
- Maximum ambient temperature -10°C - +40°C
- Protection class IP20



Product Code	ID	I _{max} A	Input Voltage	A	B	C	Weight kg
149-ECC1401	119697	10.0	230V 1~ 50/60Hz	300	146	167	5.8
149-ECC2002	125030	3.0	400V 3~ 50/60Hz	355	155	118.5	5.5
149-ECC3001	118880	4.5	400V 3~ 50/60Hz	300	146	167	5.5
149-ECC4501	119698	5.0	400V 3~ 50/60Hz	300	146	167	5.6



Wiring Diagrams



Dimensions are in mm.

EC ELECTRONIC CONTROLLER

Accessories

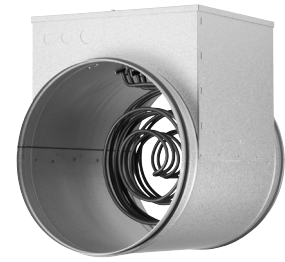
- EC Type fans
- Variable Speed Drives (Inverters)



Product Code
149-POT-10

ELECTRIC HEATER BATTERY

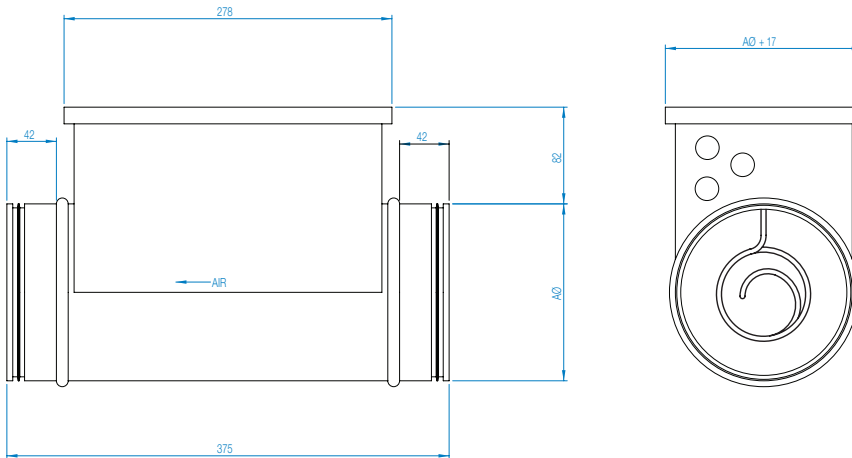
Accessories



Type

CV – (E/M) duct heater with casing of Aluzinc-coated sheet steel and stainless steel heater element to EN 1.4301. The duct heaters conform to air tightness class C to EN 15727. Control takes place by an external regulator and sensor that must be ordered separately.

Product Code	kW	Phase	Airflow @ m ³ /s		A	Weight kg
			Min	Max		
018-CV15-27-1M	2.7	1	0.031	0.208	150	4.2
018-CV20-30-1M	3.0	1	0.047	0.231	200	5.9
018-CV25-30-1M	3.0	1	0.075	0.231	250	7.8
018-CV31-30-1M	3.0	1	0.115	0.231	315	8.3
018-CV31-45-1M	4.5	1	0.115	0.347	315	8.3
018-CV31-90-3M	9.0	3	0.115	0.694	315	8.3
018-CV35-90-3M	9.0	3	0.192	0.694	355	9.1
018-CV40-90-3M	9.0	3	0.192	0.694	400	9.7
018-CV40-120-3E	12.0	3	0.192	0.926	400	9.7



Dimensions are in mm.

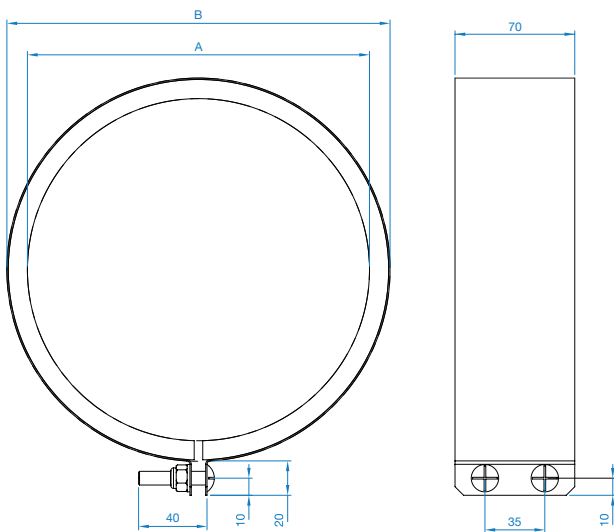
FAST CLAMPS

Accessories

- For quick connection of spigotted fans to circular duct or accessories
- Galvanised steel circular duct clamp with foam lining



Product Code	Fan Size	A Dia.	B Dia.	Weight kg
018-150-CLAMP	150	150	174	0.33
018-200-CLAMP	200	200	224	0.42
018-250-CLAMP	250	250	274	0.49
018-315-CLAMP	315	315	339	0.59
018-355-CLAMP	355	355	379	0.67
018-400-CLAMP	400	400	424	0.74
018-450-CLAMP	450	450	474	0.83
018-500-CLAMP	500	500	524	0.87
018-560-CLAMP	560	560	584	1.10
018-630-CLAMP	630	630	654	1.30
018-710-CLAMP	710	710	734	1.50



Dimensions are in mm.

FLANGED SILENCER

Accessories



- Ideal for bolting directly to fan flange
- Ideal for all axial fans
- Ideal for cross talk elimination
- Ideal for flexible or spiral ducting

Overview

Elta Fans are able to provide 2 types of cylindrical silencers as standard; Type DENP (without pod) and DEP (with pod), these are categorised as follows; Compact Silencers (ENP / EP), Standard Silencers (ENP / EP / Melinex).

Construction

Both types are rigidly constructed in galvanised sheet steel, with a highly absorbent sound attenuating lining between the outer casing and the inner perforated steel lining. The end faces of the silencer has a series of threaded holes for direct mounting to the fixing flange/flexible collar. The EP (podded versions) will provide an improved level of attenuation. The inner acoustic pod is constructed from perforated steel sheet with a sound absorbent infill.

Melinex lined silencers must be used to prevent grease impregnation into the acoustic media for kitchen extract applications as prescribed in DW/172 HVAC Specification For Kitchen Ventilation Systems. For Melinex insertion losses, please contact Elta Fans. Silencers can be provided with differing lengths: 1D = 1 times diameter, 2D = 2 times diameter. The Velocity through podded silencer should not exceed 15m/s.

Silencer Attenuation

To determine the sound level of a fan fitted with a silencer, the dynamic insertion loss should be subtracted from the sound power level spectrum (dBW) of the fan. This should be done for the entire octave band mid-frequency spectrum. The fan dBW ratings and silencer attenuation apply equally to in duct applications, with a silencer connected between the fan and the duct system.

Dynamic Insertion Loss

The silencer attenuation is defined as the “dynamic insertion loss”. The values quoted in the tables represent the difference between the sound power level of a fan and silencer combination (dBW) and that of the fan alone (dBW). The dynamic insertion losses shown are the attenuations recorded under ideal working conditions. The achieved attenuation will vary according to the air velocity and flow pattern in the airways. Noise regeneration can occur at higher velocities, especially in EP silencers.

Square / Rectangular Silencers

In highly noise sensitive areas, where the circular silencers cannot achieve the necessary attenuation levels, Elta can design and build optional splitter silencers for greater effect.

FLANGED SILENCER

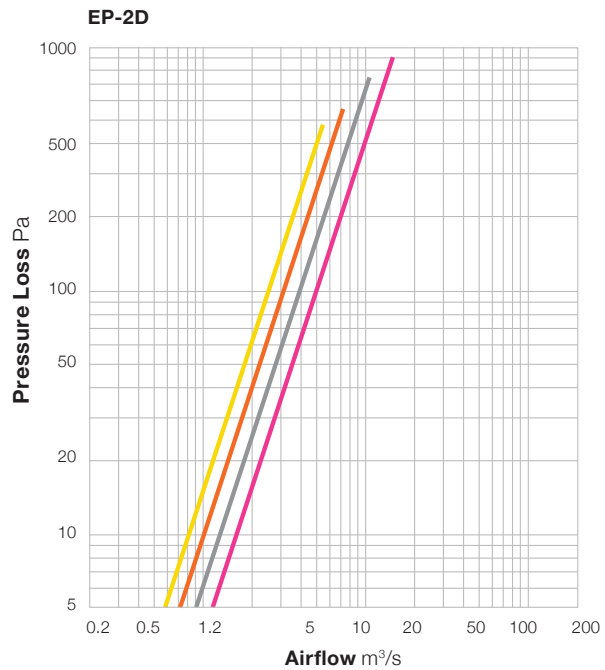
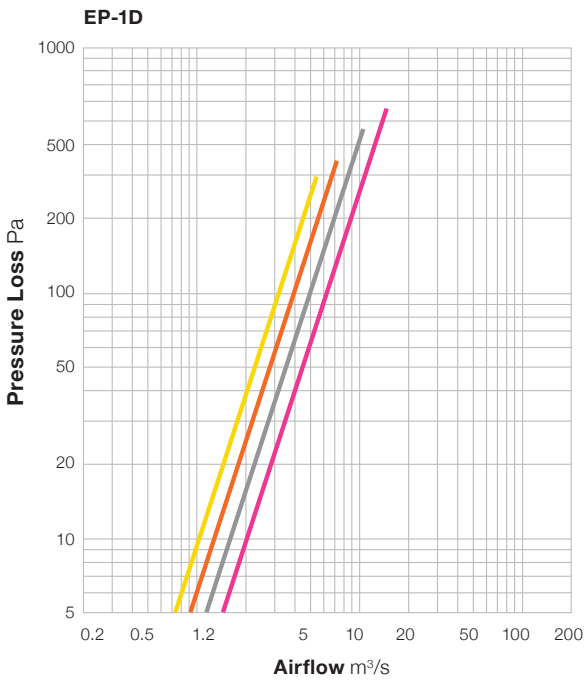
Dynamic Insertion Loss & Pressure Graphs



Dynamic Insertion Loss

Fan Size	Silencer Length	Silencer Type	Insertion Loss @ Octave Band (Hz)							
			63	125	250	500	1k	2k	4k	8k
450 500 560	1D	ENP	-2	-5	-6	-9	-13	-11	-6	-6
		EP	-4	-6	-8	-11	-18	-19	-17	-14
	2D	ENP	-4	-8	-12	-17	-23	-17	-12	-10
		EP	-7	-10	-12	-21	-26	-26	-24	-22
630	1D	ENP	-3	-4	-9	-15	-15	-8	-7	-6
		EP	-4	-6	-8	-17	-23	-20	-18	-10
	2D	ENP	-6	-8	-13	-22	-22	-13	-12	-9
		EP	-8	-11	-16	-27	-32	-31	-29	-19

Podded Silencers Pressure Graphs



Sizes

- 450
- 500
- 560
- 630

FLANGED SILENCER

Accessories



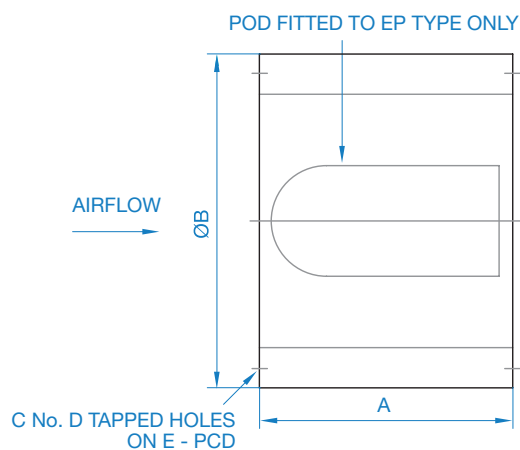
- Ideal for bolting directly to fan flange
- Ideal for all axial fans
- Ideal for cross talk elimination
- Ideal for flexible or spiral ducting

Silencer 1DENP Unpodded

Product Code	Fan Dia	A	B	C	D	E	Weight kg
068-0450-1DENP	450	450	604	8	M10	500	15
068-0500-1DENP	500	500	657	12	M10	560	18
068-0560-1DENP	560	560	714	12	M10	620	22
068-0630-1DENP	630	630	784	12	M10	690	26

Silencer 2DENP Unpodded

Product Code	Fan Dia	A	B	C	D	E	Weight kg
068-0450-2DENP	450	900	604	8	M10	500	27
068-0500-2DENP	500	1000	657	12	M10	560	32
068-0560-2DENP	560	1120	714	12	M10	620	39
068-0630-2DENP	630	1260	784	12	M10	690	48



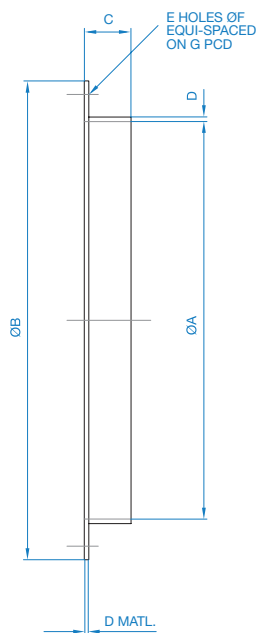
MATCHING FLANGES

Accessories

- Fits directly to fan case flange
- Provides easy connection to flexible connector or ducting
- Hot dip galvanised steel



Product Code	Fan Dia. A	B	C	D	E	F	G	Weight kg
061B-0450	450	530	40	1.5	8	12	500	2.2
061B-0500	500	585	45	2.0	12	12	560	2.6
061B-0560	560	645	45	2.0	12	12	620	3.0
061B-0630	630	715	45	2.0	12	12	690	3.5
061B-0710	710	795	45	2.0	16	12	770	3.7

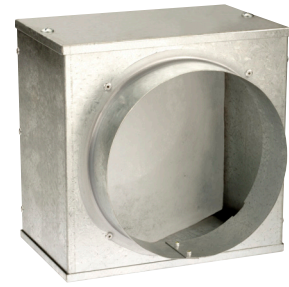


Dimensions are in mm.

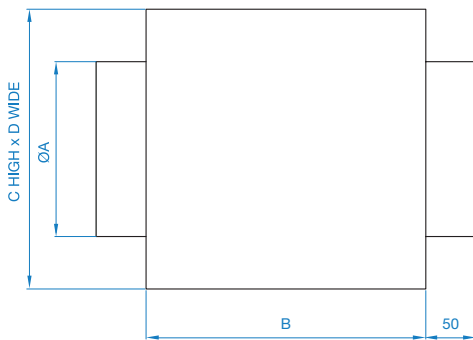
PANEL FILTER

Accessories

- Galvanised steel casing
- Filter media to BS EN 779 rating G2 with 85% arrestance
- Filter access with removable panel



Product Code	Fan Dia. A	B	C	D	Weight kg
018-0250-FILT-P	250	200	300	300	3
018-0315-FILT-P	315	300	440	440	8
018-0355-FILT-P	355	400	440	440	8
018-0400-FILT-P	400	400	440	440	8
018-0500-FILT-P	500	500	550	550	11



Dimensions are in mm.

SEL AC ELECTRONIC CONTROLLERS

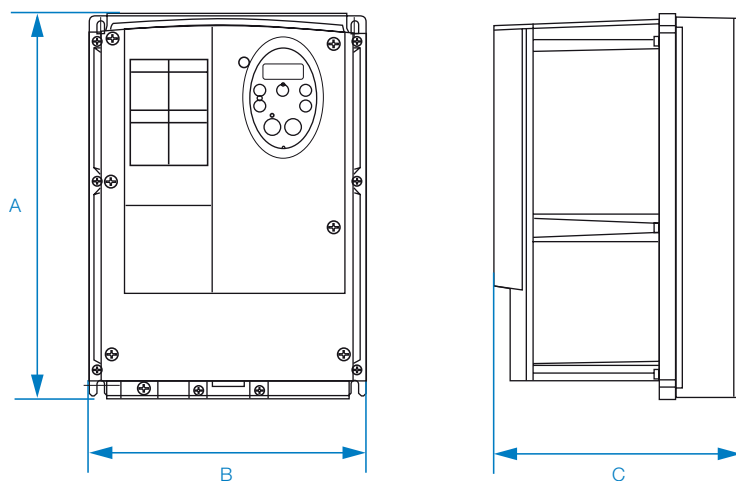
Accessories

IP55

- Frequency Converter
- Power supply 230V 50 / 60 Hz
- Variable speed control
- Output voltage 0 - 230V 3~
- Integrated modbus interface
- Motor-/converter protection
- Integrated interference filter/class A
- Easy start-up
- Temperature range -10°C to +40°C
- Protection Class IP55



Product Code	P ₂ W	I _A A	P _V W	A	B	C	Weight kg
149-FU07501	750	4.8	60	240	210	216	6.3
149-FU1501	1500	8	90	297	215	245	8.8
149-FU2201	2200	11	123	340	230	261	10.7



P₂ = Max. motor power
 P_V = Efficiency loss FU
 I_A = Output current FU
 Dimensions are in mm.

SEL AC ELECTRONIC CONTROLLERS

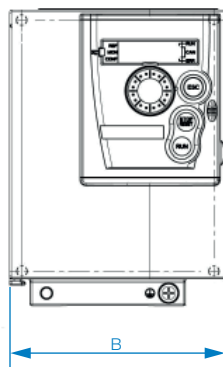
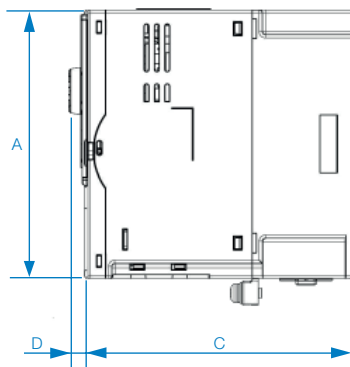
Accessories



Frequency Converter FU IP21

- Frequency Converter
- Power supply 400V 3~ 50 Hz
- Variable speed control
- Output voltage 0 - 400V 3~
- Integrated modbus interface
- Motor-/converter protection
- Integrated interference filter/class A
- Easy start-up
- For switch cabinet
- Temperature range -10 °C to +50 °C
- Protection Class IP21

Product Code	P ₂ W	I _A A	P _V W	A	B	C	D	Weight kg
149-FU2205	2200	5.5	79	184	142	152	157	2.3
149-FU3003	3000	7.1	125	184	142	152	157	2.6
149-FU4003	4000	9.5	150	184	142	152	157	2.5
149-FU5503	5000	14.3	232	232	180	172	210	4.7



P2 = Max. motor power
 PV = Efficiency loss FU
 IA = Output current FU
 Dimensions are in mm.

SPIGOT SILENCER

Accessories

- Small metric range of attenuators with spigot connection
- Ideal for small fans
- Ideal for cross talk elimination
- Ideal for flexible or spiral ducting



Construction

Both types are rigidly constructed in galvanised sheet steel, with a highly absorbent sound attenuating lining between the outer casing and the inner perforated steel lining. The end faces of the silencer do not have threaded holes for fixings, but has a steel spigot for ease of mounting.

Melinex lined silencers must be used to prevent grease impregnation into the acoustic media for kitchen extract applications as prescribed in DW/172 HVAC Specification For Kitchen Ventilation Systems. For Melinex insertion losses, please contact Elta Fans. Silencers can be provided with differing lengths: 300, 600, 900 and 1200mm.

Silencer Attenuation

To determine the sound level of a fan fitted with a silencer, the dynamic insertion loss should be subtracted from the sound power level spectrum (dBW) of the fan. This should be done for the entire octave band mid-frequency spectrum. The fan dBW ratings and silencer attenuation apply equally to in duct applications, with a silencer connected between the fan and the duct system.

Dynamic Insertion Loss

The silencer attenuation is defined as the “dynamic insertion loss”. The values quoted in the tables represent the difference between the sound power level of a fan and silencer combination (dBW) and that of the fan alone (dBW). The dynamic insertion losses shown are the attenuations recorded under ideal working conditions. The achieved attenuation will vary according to the air velocity and flow pattern in the airways. Noise regeneration can occur at higher velocities, especially in EP silencers.

Square / Rectangular Silencers

In highly noise sensitive areas, where the circular silencers cannot achieve the necessary attenuation levels, Elta Fans can design and build optional splitter silencers for greater effect.

SPIGOT SILENCER

Dynamic Insertion Loss

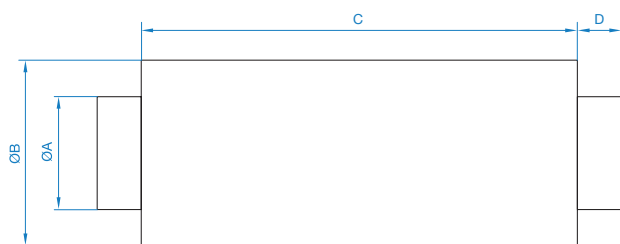
Product Code	Length	Insertion Loss @ Octave band (Hz)							
		63	125	250	500	1K	2K	4K	8K
068-0150-JF1	300mm	-3	-3	-6	-14	-19	-23	-22	-11
068-0150-JF2	600mm	-4	-7	-12	-23	-30	-36	-31	-15
068-0150-JF3	900mm	-8	-9	-15	-31	-37	-37	-34	-18
068-0150-JF4	1200mm	-10	-14	-17	-34	-41	-40	-36	-20
068-0200-JF1	300mm	-2	-3	-6	-13	-17	-20	-18	-9
068-0200-JF2	600mm	-4	-6	-10	-20	-27	-32	-20	-11
068-0200-JF3	900mm	-7	-9	-14	-32	-39	-36	-26	-15
068-0200-JF4	1200mm	-10	-12	-17	-35	-41	-44	-28	-16
068-0250-JF1	300mm	-2	-3	-6	-12	-16	-19	-17	-8
068-0250-JF2	600mm	-3	-6	-10	-19	-25	-29	-18	-10
068-0250-JF3	900mm	-5	-8	-12	-24	-30	-30	-22	-14
068-0250-JF4	1200mm	-7	-10	-15	-31	-37	-38	-26	-15
068-0315-JF1	300mm	-1	-3	-6	-12	-15	-18	-16	-8
068-0315-JF2	600mm	-3	-5	-8	-16	-21	-22	-16	-14
068-0315-JF3	900mm	-4	-7	-10	-20	-31	-28	-17	-14
068-0315-JF4	1200mm	-6	-9	-14	-23	-32	-32	-18	-15
068-0355-JF1	300mm	-1	-3	-6	-12	-15	-18	-16	-8
068-0355-JF2	600mm	-3	-4	-7	-15	-19	-20	-15	-13
068-0355-JF3	900mm	-4	-7	-9	-19	-28	-25	-16	-13
068-0355-JF4	1200mm	-5	-8	-13	-22	-31	-29	-17	-14
068-0400-JF1	300mm	-1	-2	-4	-11	-15	-15	-12	-8
068-0400-JF2	600mm	-2	-4	-7	-14	-17	-18	-14	-11
068-0400-JF3	900mm	-3	-6	-9	-18	-26	-23	-15	-12
068-0400-JF4	1200mm	-5	-8	-13	-22	-30	-27	-17	-12

For sizes 560-710, please contact Elta Fans.

SPIGOT SILENCER

Dimensional Data

Product Code	Fan Dia.	A	B	C	D	Weight kg
068-0150-JF1	150	148	255	300	40	3.4
068-0150-JF2	150	148	255	600	40	6.1
068-0150-JF3	150	148	255	900	40	8.9
068-0150-JF4	150	148	255	1200	40	11.6
068-0200-JF1	200	198	305	300	40	4.2
068-0200-JF2	200	198	305	600	40	7.6
068-0200-JF3	200	198	305	900	40	11.0
068-0200-JF4	200	198	305	1200	40	14.5
068-0250-JF1	250	248	355	300	40	5.0
068-0250-JF2	250	248	355	600	40	9.1
068-0250-JF3	250	248	355	900	40	13.2
068-0250-JF4	250	248	355	1200	40	17.3
068-0315-JF1	315	313	420	300	40	6.1
068-0315-JF2	315	313	420	600	40	11.1
068-0315-JF3	315	313	420	900	40	16.1
068-0315-JF4	315	313	420	1200	40	21.0
068-0355-JF1	355	353	460	300	40	6.8
068-0355-JF2	355	353	460	600	40	12.3
068-0355-JF2	355	353	460	900	40	17.8
068-0355-JF4	355	353	460	1200	40	23.3
068-0400-JF1	400	398	505	300	40	7.5
068-0400-JF2	400	398	505	600	40	13.6
068-0400-JF3	400	398	505	900	40	19.8
068-0400-JF4	400	398	505	1200	40	25.9



Dimensions are in mm.

TRANSFORMER CONTROLLER

Accessories

- IP40 enclosure
- Five speed stepped control
- Illuminated on/off switch (single phase units only)
- Fitted Motor Protection type D MCB (single phase units only)
- Suitable for operating temperatures up to 40°C
- Ideal for environments where noise is a primary consideration as these controls do not create magnetic hum associated with some step-less forms of speed control



Features & Benefits

A range of transformer voltage controllers used to provide five speed step control of single phase or three phase motors where the peak current of the motor does not exceed the rating of the controller. Speed control is via selector switch. Single phase units are complete with illuminated on/off switch.

Single Phase 220V to 240V / 50Hz

Product Code	Max Peak Current Amps	Weight kg	IP Rating
149-TC12	2	3	IP40
149-TC14	4	4	IP40
149-TC18	8	6	IP40
149-TC110	10	7	IP40
149-TC116	16	13	IP40

Building Services

Tel **+44 (0) 1384 275800**
Fax **+44 (0) 1384 275810**
Email **info@eltafans.co.uk**

46 Third Avenue, Pensnett Trading Estate, Kingswinford,
West Midlands, DY6 7US United Kingdom

Applied Technology & Building Services Export

Tel **+44 (0) 1489 566500**
Fax **+44 (0) 1489 566555**
Email **at@eltafans.co.uk / export@eltafans.co.uk**

17 Barnes Wallis Road, Segensworth East Industrial Estate,
Fareham, Hampshire, PO15 5ST United Kingdom

eltafans.com

SEL-11-2018 Issue B



BS EN ISO 9001:2015 FM 556465

