



MULTIFLOW SMB

Mixed Flow Box Fan

MULTIFLOW SMB

Product Overview

- 6 standard sizes from 400mm to 700mm
- Air volume flow rates up to 4.07 m³/s
- Static pressures up to 796 Pa
- Suitable for operating temperatures up to +60°C
- Available in **AC**



The unique and new blade geometry in this square, duct mounted, mixed flow fan offers increased airflow with smaller diameters.

Easy Installation

Lightweight construction with Ductmate flanges allowing easy installation.

Efficient Performance

High volume flow rates, high efficiency, low acoustic emissions due to special three-dimensional blade geometry with diagonal air discharge, reduced rotational tone.

Controllability

A range of transformer voltage controllers can be used to provide five speed step control of single phase or three phase motors.

Energy saving

Backward-curved, aerofoil section blades provide high volume flow rates and high efficiencies.

Warranty

Each SMB has a 12 month warranty.

Construction

Manufactured using pre-galvanised sheet steel suitably stiffened. Casings incorporate Ductmate flange connections at each end. Motor supports are constructed from steel sheet, hot-dip galvanised to BS EN ISO 1461:2009 after manufacture and have an aerodynamic profile.

Motor

The motor contains sealed for life bearings and have a Thermal Class of to THCL 130 or 155 dependent on size. All motors are suitable for use in ambient air conditions up to +60°C.

Impeller

Made from high-performance composite material with 7 backward-curved, aerofoil section blades.

Typical Applications

- Kitchen Canopies
- Restaurants
- Lift Motor Rooms
- General HVAC installations

Contents

Page	Information
3	Performance Range Curves
4	Performance, SFP & Electrical Data
6	Sound Data
8	Dimensional Data
9	EcoDesign 1253/2014
10	Accessories

Product Coding

Code	Reference
SMB	Product Range
400	Diameter (400/450/500...)
/	
4	Number of Poles (2/4/6)
-	
1	Voltage Supply (Single Phase / Three Phase)
AC	Motor Type (AC/EC)
A - Z	Additional Coding (A - Z) Product Variants
-60	60Hz Motor
e.g.	SMB400 / 4 - 1AC-60

SMB400/4-1AC



Mixed Flow Box Fan

Single Phase 220V - 240V / 50Hz or 60Hz

Performance, SFP & Electrical Data (50Hz)

Product Code	Speed r/min	Airflow SFP	Airflow m ³ /s @ Static Pressure Pa											At Best Efficiency Point		Electrical Data	dBA @ 3m	
			0	25	50	75	100	150	200	250	300	350	400	Overall Eff %	Input kW			
SMB400/4-1AC	1370	m ³ /s	0.709	0.686	0.658	0.624	0.581	0.470	0.248	0.036	-	-	-	34.2	0.212	1.09	Inlet	46
		W/(L/s)	0.29	0.31	0.33	0.36	0.38	0.46	0.74	3.73	-	-	-				Outlet	49

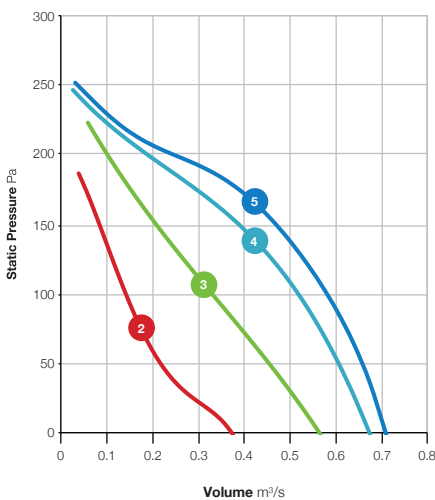
Data provided is at standard air density of 1.2 kg/m³. Data in accordance with ErP 1253/2014 of the European Parliament. Product category is NRVU. Measurement category used to determine energy efficiency: D. Peak Amps @ 230V / 1PH / 50Hz. The overall A-weighted sound pressure level is at a distance of 3m with spherical free-field propagation. It is expressed in dB re-20µPa and is presented for comparative purposes only.

Sound Data (50Hz)

Product Code	Speed r/min		Sound Power Level dBW @ Octave Band Hz								Total dB
			63Hz	125Hz	250Hz	500Hz	1kHz	2kHz	4kHz	8kHz	
SMB400/4-1AC	1370	Inlet	72	71	64	61	59	60	58	52	75
		Outlet	74	71	64	65	63	65	60	55	77

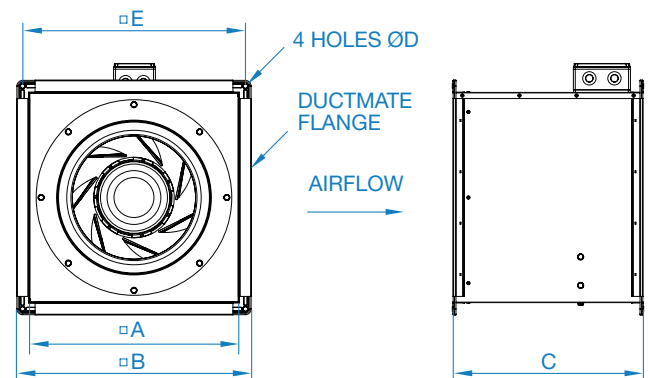
Data provided at standard air density of 1.2 kg/m³. Tests and preparation of the sound data have been carried out in accordance with BS 848 Part 2:1985 at 50% peak pressure. The Sound Power Level Spectra are in dB re-1pW.

Performance Curve



Dimensional Data

Product Code	A	B	C	D	E	Flange	Weight kg
SMB400/4-1AC	400	440	300	9	422	20	16



Accessories

Product Code	AV Mounts * (set of 4)	Mounting Brackets (each)	Splitter Silencer	Square Flexible Connectors (each)	Transformer Controller	Wiring Diagram
SMB400/4-1AC	062-002	060-MFB-01	068-0400-MFB	063-0400-MFB	149-TC14	152-104A

*Supplied as a single mount.

All units comply with 2018 ErP requirements and are classified as Non Residential Ventilation Unit (NRVU) and Unidirectional ventilation Unit (UVU) with variable speed drive type. Elta Fans Limited has a policy of continuous product development and improvement and therefore reserves the right to supply products which may differ from those illustrated and described in this publication. Confirmation of dimensions and data will be supplied on request.

SMB450/4-1AC



Mixed Flow Box Fan

Single Phase 220V - 240V / 50Hz or 60Hz

Performance, SFP & Electrical Data (50Hz)

Product Code	Speed r/min	Airflow SFP	Airflow m ³ /s @ Static Pressure Pa											At Best Efficiency Point		Electrical Data	dBA @ 3m	
			0	25	50	75	100	150	200	250	300	350	400	Overall Eff %	Input kW			
SMB450/4-1AC	1385	m ³ /s	1.064	1.033	1.000	0.965	0.927	0.838	0.721	0.529	0.144	-	-	38.4	0.391	2.05	Inlet	43
		W/(L/s)	0.35	0.37	0.38	0.40	0.43	0.48	0.55	0.70	1.92	-	-				Outlet	47

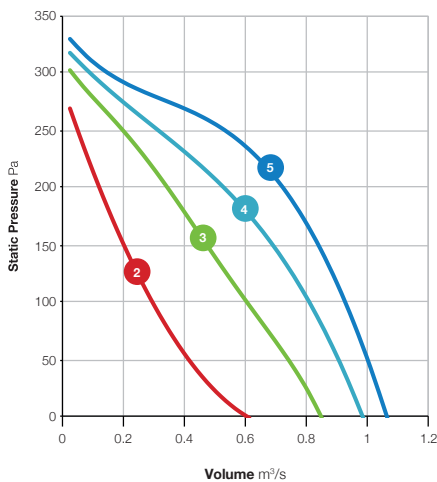
Data provided is at standard air density of 1.2 kg/m³. Data in accordance with ErP 1253/2014 of the European Parliament. Product category is NRVU. Measurement category used to determine energy efficiency: D. Peak Amps @ 230V / 1PH / 50Hz. The overall A-weighted sound pressure level is at a distance of 3m with spherical free-field propagation. It is expressed in dB re-20µPa and is presented for comparative purposes only.

Sound Data (50Hz)

Product Code	Speed r/min		Sound Power Level dBW @ Octave Band Hz								Total dB
			63Hz	125Hz	250Hz	500Hz	1kHz	2kHz	4kHz	8kHz	
SMB450/4-1AC	1385	Inlet	68	68	64	59	56	57	56	50	72
		Outlet	68	70	66	61	62	61	59	53	74

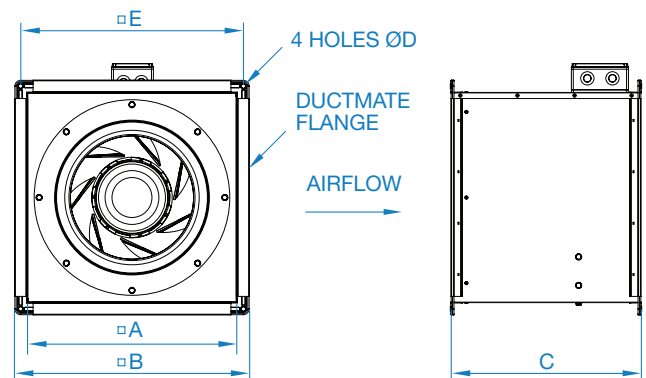
Data provided at standard air density of 1.2 kg/m³. Tests and preparation of the sound data have been carried out in accordance with BS 848 Part 2:1985 at 50% peak pressure. The Sound Power Level Spectra are in dB re-1pW.

Performance Curve



Dimensional Data

Product Code	A	B	C	D	E	Flange	Weight kg
SMB450/4-1AC	450	490	400	9	472	20	23



Accessories

Product Code	AV Mounts * (set of 4)	Mounting Brackets (each)	Splitter Silencer	Square Flexible Connectors (each)	Transformer Controller	Wiring Diagram
SMB450/4-1AC	062-002	060-MFB-01	068-0450-MFB	063-0450-MFB	149-TC14	152-104A

*Supplied as a single mount.

All units comply with 2018 ErP requirements and are classified as Non Residential Ventilation Unit (NRVU) and Unidirectional ventilation Unit (UVU) with variable speed drive type. Elta Fans Limited has a policy of continuous product development and improvement and therefore reserves the right to supply products which may differ from those illustrated and described in this publication. Confirmation of dimensions and data will be supplied on request.

SMB500/4-1AC



Mixed Flow Box Fan

Single Phase 220V - 240V / 50Hz or 60Hz

Performance, SFP & Electrical Data (50Hz)

Product Code	Speed r/min	Airflow SFP	Airflow m ³ /s @ Static Pressure Pa											At Best Efficiency Point		Electrical Data	dBA @ 3m	
			0	25	50	75	100	150	200	250	300	350	400	Overall Eff %	Input kW			
SMB500/4-1AC	1385	m ³ /s	1.071	1.043	1.012	0.978	0.941	0.853	0.735	0.541	0.135	-	-	38.2	0.386	1.99	Inlet	48
		W/(L/s)	0.34	0.36	0.37	0.39	0.41	0.46	0.53	0.69	1.98	-	-				Outlet	52

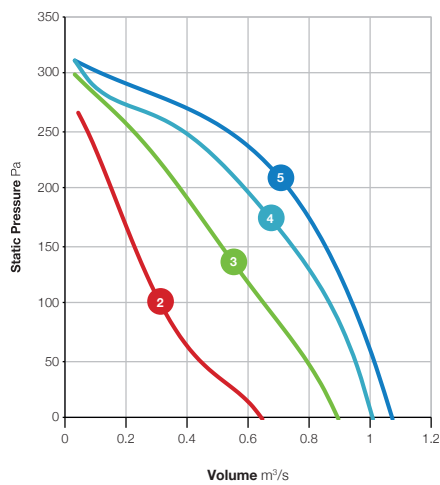
Data provided is at standard air density of 1.2 kg/m³. Data in accordance with ErP 1253/2014 of the European Parliament. Product category is NRVU. Measurement category used to determine energy efficiency: D. Peak Amps @ 230V / 1PH / 50Hz. The overall A-weighted sound pressure level is at a distance of 3m with spherical free-field propagation. It is expressed in dB re-20µPa and is presented for comparative purposes only.

Sound Data (50Hz)

Product Code	Speed r/min		Sound Power Level dBW @ Octave Band Hz								Total dB
			63Hz	125Hz	250Hz	500Hz	1kHz	2kHz	4kHz	8kHz	
SMB500/4-1AC	1385	Inlet	71	72	67	65	60	62	62	56	76
		Outlet	72	71	67	67	68	66	64	58	77

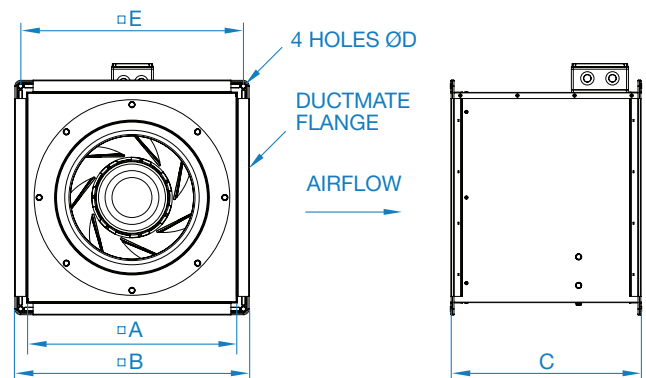
Data provided at standard air density of 1.2 kg/m³. Tests and preparation of the sound data have been carried out in accordance with BS 848 Part 2:1985 at 50% peak pressure. The Sound Power Level Spectra are in dB re-1pW.

Performance Curve



Dimensional Data

Product Code	A	B	C	D	E	Flange	Weight kg
SMB500/4-1AC	500	540	400	9	522	20	27



Accessories

Product Code	AV Mounts * (set of 4)	Mounting Brackets (each)	Splitter Silencer	Square Flexible Connectors (each)	Transformer Controller	Wiring Diagram
SMB500/4-1AC	062-002	060-MFB-01	068-0500-MFB	063-0500-MFB	149-TC14	152-104A

*Supplied as a single mount.

All units comply with 2018 ErP requirements and are classified as Non Residential Ventilation Unit (NRVU) and Unidirectional ventilation Unit (UVU) with variable speed drive type. Elta Fans Limited has a policy of continuous product development and improvement and therefore reserves the right to supply products which may differ from those illustrated and described in this publication. Confirmation of dimensions and data will be supplied on request.

SMB550/4-1AC



Mixed Flow Box Fan

Single Phase 220V - 240V / 50Hz or 60Hz

Performance, SFP & Electrical Data (50Hz)

Product Code	Speed r/min	Airflow SFP	Airflow m ³ /s @ Static Pressure Pa											At Best Efficiency Point		Electrical Data	dBA @ 3m	
			0	25	50	75	100	150	200	250	300	350	400	Overall Eff %	Input kW			
SMB550/4-1AC	1280	m ³ /s	1.476	1.436	1.393	1.348	1.300	1.192	1.063	0.897	0.657	0.299	-	39.0	0.574	2.67	Inlet	55
		W/(L/s)	0.37	0.38	0.40	0.42	0.44	0.49	0.55	0.64	0.82	1.40	-				Outlet	58

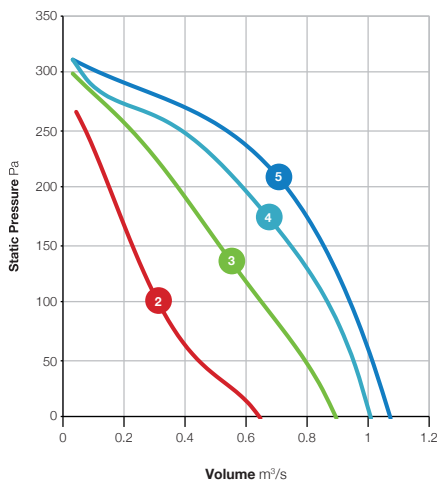
Data provided is at standard air density of 1.2 kg/m³. Data in accordance with ErP 1253/2014 of the European Parliament. Product category is NRVU. Measurement category used to determine energy efficiency: D. Peak Amps @ 230V / 1PH / 50Hz. The overall A-weighted sound pressure level is at a distance of 3m with spherical free-field propagation. It is expressed in dB re-20µPa and is presented for comparative purposes only.

Sound Data (50Hz)

Product Code	Speed r/min		Sound Power Level dBW @ Octave Band Hz								Total dB
			63Hz	125Hz	250Hz	500Hz	1kHz	2kHz	4kHz	8kHz	
SMB550/4-1AC	1280	Inlet	76	77	81	68	66	66	64	58	84
		Outlet	79	76	82	74	73	70	66	59	85

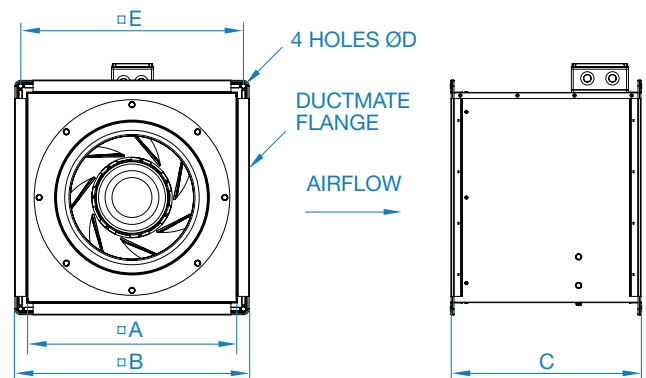
Data provided at standard air density of 1.2 kg/m³. Tests and preparation of the sound data have been carried out in accordance with BS 848 Part 2:1985 at 50% peak pressure. The Sound Power Level Spectra are in dB re-1pW.

Performance Curve



Dimensional Data

Product Code	A	B	C	D	E	Flange	Weight kg
SMB550/4-1AC	550	617	500	11	586	35	41



Accessories

Product Code	AV Mounts * (set of 4)	Mounting Brackets (each)	Splitter Silencer	Square Flexible Connectors (each)	Transformer Controller	Wiring Diagram
SMB550/4-1AC	062-003	060-MFB-01	068-0550-MFB	063-0550-MFB	149-TC110	152-104A

*Supplied as a single mount.

All units comply with 2018 ErP requirements and are classified as Non Residential Ventilation Unit (NRVU) and Unidirectional ventilation Unit (UVU) with variable speed drive type. Elta Fans Limited has a policy of continuous product development and improvement and therefore reserves the right to supply products which may differ from those illustrated and described in this publication. Confirmation of dimensions and data will be supplied on request.

SMB650/4-1AC



Mixed Flow Box Fan

Single Phase 220V - 240V / 50Hz or 60Hz

Performance, SFP & Electrical Data (50Hz)

Product Code	Speed r/min	Airflow SFP	Airflow m ³ /s @ Static Pressure Pa											At Best Efficiency Point		Electrical Data	dBA @ 3m	
			0	25	50	75	100	150	200	250	300	350	400	Overall Eff %	Input kW			
SMB650/4-1AC	1380	m ³ /s	2.215	2.181	2.145	2.107	2.068	1.982	1.885	1.771	1.634	1.458	1.217	44.6	1.143	5.28	Inlet	58
		W/(L/s)	0.48	0.49	0.50	0.52	0.54	0.57	0.60	0.65	0.71	0.79	0.92				Outlet	61

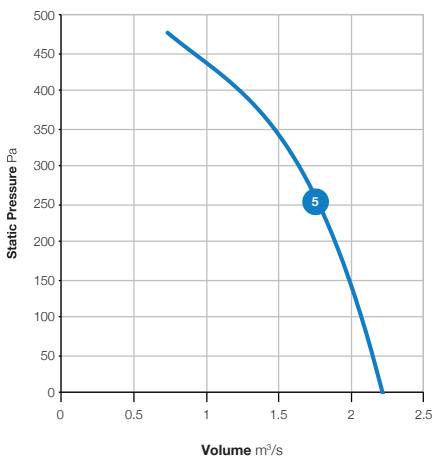
Data provided is at standard air density of 1.2 kg/m³. Data in accordance with ErP 1253/2014 of the European Parliament. Product category is NRVU. Measurement category used to determine energy efficiency: D. Peak Amps @ 230V / 1PH / 50Hz. The overall A-weighted sound pressure level is at a distance of 3m with spherical free-field propagation. It is expressed in dB re-20µPa and is presented for comparative purposes only.

Sound Data (50Hz)

Product Code	Speed r/min		Sound Power Level dBW @ Octave Band Hz								Total dB
			63Hz	125Hz	250Hz	500Hz	1kHz	2kHz	4kHz	8kHz	
SMB650/4-1AC	1380	Inlet	86	83	79	73	72	71	67	63	89
		Outlet	90	85	81	76	78	74	70	62	92

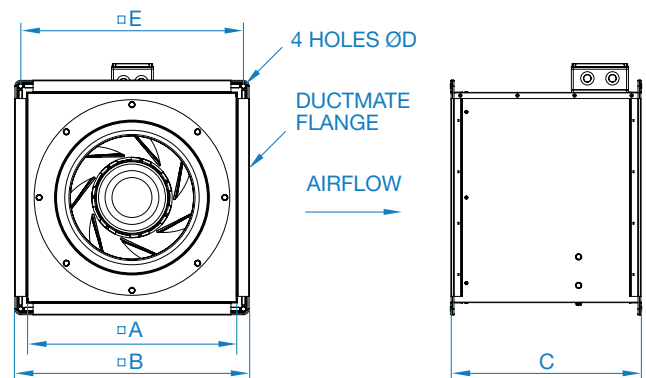
Data provided at standard air density of 1.2 kg/m³. Tests and preparation of the sound data have been carried out in accordance with BS 848 Part 2:1985 at 50% peak pressure. The Sound Power Level Spectra are in dB re-1pW.

Performance Curve



Dimensional Data

Product Code	A	B	C	D	E	Flange	Weight kg
SMB650/4-1AC	650	717	500	11	686	35	47



Accessories

Product Code	AV Mounts * (set of 4)	Mounting Brackets (each)	Splitter Silencer	Square Flexible Connectors (each)	Transformer Controller	Wiring Diagram
SMB650/4-1AC	062-003	060-MFB-01	068-0650-MFB	063-0650-MFB	149-TC110	152-104A

*Supplied as a single mount.

All units comply with 2018 ErP requirements and are classified as Non Residential Ventilation Unit (NRVU) and Unidirectional ventilation Unit (UVU) with variable speed drive type. Elta Fans Limited has a policy of continuous product development and improvement and therefore reserves the right to supply products which may differ from those illustrated and described in this publication. Confirmation of dimensions and data will be supplied on request.

SMB400/4-3AC



Mixed Flow Box Fan

Three Phase 380V to 415V / 50Hz or 60Hz

Performance, SFP & Electrical Data (50Hz)

Product Code	Speed r/min	Airflow SFP	Airflow m ³ /s @ Static Pressure Pa												At Best Efficiency Point		Motor Electrical Data		dBA @ 3m	
			0	25	50	75	100	150	200	250	300	350	400	500	Overall Eff %	Input kW	Peak Amps	Δ / Y		
SMB400/4-3AC	1390	m ³ /s	0.707	0.687	0.664	0.636	0.601	0.502	0.301	-	-	-	-	-	37.5	0.208	0.52	Y	Inlet	46
		W/(L/s)	0.29	0.31	0.32	0.34	0.36	0.42	0.61	-	-	-	-	-					Outlet	50

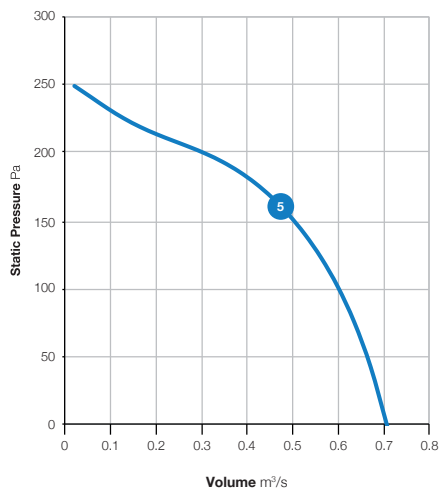
Data provided is at standard air density of 1.2 kg/m³. Data in accordance with ErP 1253/2014 of the European Parliament. Product category is NRVU. Measurement category used to determine energy efficiency: D. Peak Amps @ 400V / 3PH / 50Hz. The overall A-weighted sound pressure level is at a distance of 3m with spherical free-field propagation. It is expressed in dB re-20μPa and is presented for comparative purposes only.

Sound Data (50Hz)

Product Code	Speed r/min		Sound Power Level dBW @ Octave Band Hz								Total dB
			63Hz	125Hz	250Hz	500Hz	1kHz	2kHz	4kHz	8kHz	
SMB400/4-3AC	1390	Inlet	71	70	64	62	60	60	59	53	75
		Outlet	74	71	64	65	64	66	61	56	77

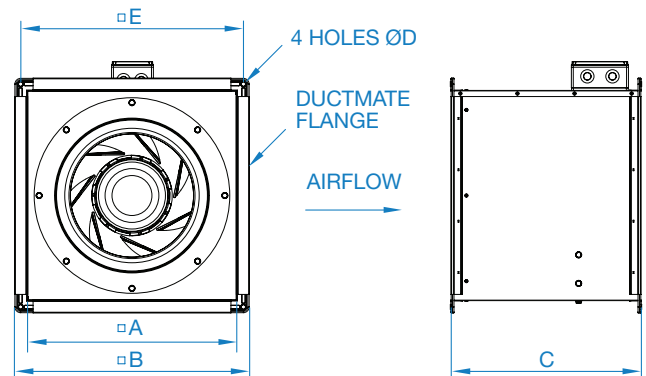
Data provided at standard air density of 1.2 kg/m³. Tests and preparation of the sound data have been carried out in accordance with BS 848 Part 2:1985 at 50% peak pressure. The Sound Power Level Spectra are in dB re-1pW.

Performance Curve



Dimensional Data

Product Code	A	B	C	D	E	Flange	Weight kg
SMB400/4-3AC	400	440	300	9	422	20	16



Accessories

Product Code	AV Mounts * (set of 4)	Mounting Brackets (each)	Splitter Silencer	Square Flexible Connectors (each)	Transformer Controller	Wiring Diagram
SMB400/4-3AC	062-002	060-MFB-01	068-0400-MFB	063-0400-MFB	149-TC33	152S-106A

*Supplied as a single mount.

All units comply with 2018 ErP requirements and are classified as Non Residential Ventilation Unit (NRVU) and Unidirectional ventilation Unit (UVU) with variable speed drive type. Elta Fans Limited has a policy of continuous product development and improvement and therefore reserves the right to supply products which may differ from those illustrated and described in this publication. Confirmation of dimensions and data will be supplied on request.

SMB450/4-3AC



Mixed Flow Box Fan

Three Phase 380V to 415V / 50Hz or 60Hz

Performance, SFP & Electrical Data (50Hz)

Product Code	Speed r/min	Airflow SFP	Airflow m ³ /s @ Static Pressure Pa												At Best Efficiency Point		Motor Electrical Data		dBA @ 3m	
			0	25	50	75	100	150	200	250	300	350	400	500	Overall Eff %	Input kW	Peak Amps	Δ / Y	Inlet	Outlet
SMB450/4-3AC	1375	m ³ /s	1.089	1.045	1.001	0.958	0.914	0.823	0.716	0.536	0.148	-	-	-	39.5	0.378	0.88	Y	Inlet	42
		W/(L/s)	0.33	0.35	0.37	0.39	0.42	0.47	0.54	0.67	1.67	-	-	-					Outlet	46

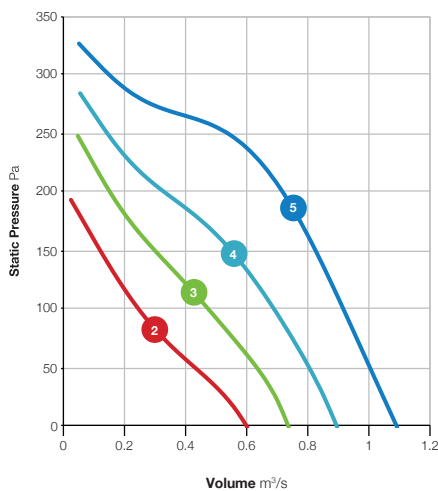
Data provided is at standard air density of 1.2 kg/m³. Data in accordance with ErP 1253/2014 of the European Parliament. Product category is NRVU. Measurement category used to determine energy efficiency: D. Peak Amps @ 400V / 3PH / 50Hz. The overall A-weighted sound pressure level is at a distance of 3m with spherical free-field propagation. It is expressed in dB re-20μPa and is presented for comparative purposes only.

Sound Data (50Hz)

Product Code	Speed r/min		Sound Power Level dBW @ Octave Band Hz								Total dB
			63Hz	125Hz	250Hz	500Hz	1kHz	2kHz	4kHz	8kHz	
SMB450/4-3AC	1375	Inlet	65	68	61	58	54	56	55	49	71
		Outlet	66	67	61	60	62	60	58	52	72

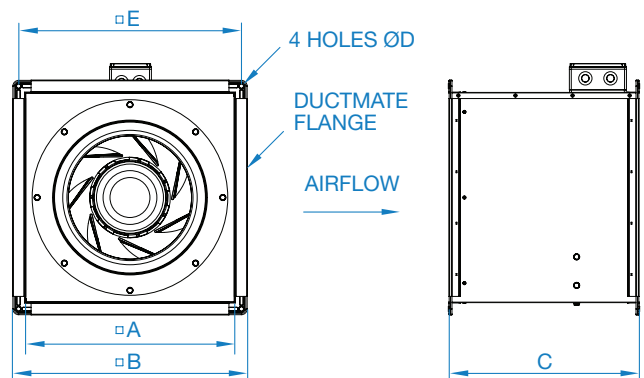
Data provided at standard air density of 1.2 kg/m³. Tests and preparation of the sound data have been carried out in accordance with BS 848 Part 2:1985 at 50% peak pressure. The Sound Power Level Spectra are in dB re-1pW.

Performance Curve



Dimensional Data

Product Code	A	B	C	D	E	Flange	Weight kg
SMB450/4-3AC	450	490	400	9	472	20	23



Accessories

Product Code	AV Mounts * (set of 4)	Mounting Brackets (each)	Splitter Silencer	Square Flexible Connectors (each)	Transformer Controller	Wiring Diagram
SMB450/4-3AC	062-002	060-MFB-01	068-0450-MFB	063-0450-MFB	149-TC33	152S-106A

*Supplied as a single mount.

All units comply with 2018 ErP requirements and are classified as Non Residential Ventilation Unit (NRVU) and Unidirectional ventilation Unit (UVU) with variable speed drive type. Elta Fans Limited has a policy of continuous product development and improvement and therefore reserves the right to supply products which may differ from those illustrated and described in this publication. Confirmation of dimensions and data will be supplied on request.

SMB500/4-3AC



Mixed Flow Box Fan

Three Phase 380V to 415V / 50Hz or 60Hz

Performance, SFP & Electrical Data (50Hz)

Product Code	Speed r/min	Airflow SFP	Airflow m ³ /s @ Static Pressure Pa												At Best Efficiency Point		Motor Electrical Data		dBA @ 3m	
			0	25	50	75	100	150	200	250	300	350	400	500	Overall Eff %	Input kW	Peak Amps	Δ / Y		
SMB500/4-3AC	1380	m ³ /s	1.080	1.054	1.025	0.993	0.957	0.870	0.744	0.538	0.096	-	-	-	38.6	0.386	0.88	Y	Inlet	49
		W/(L/s)	0.33	0.35	0.36	0.38	0.40	0.45	0.53	0.68	2.37	-	-	-					Outlet	52

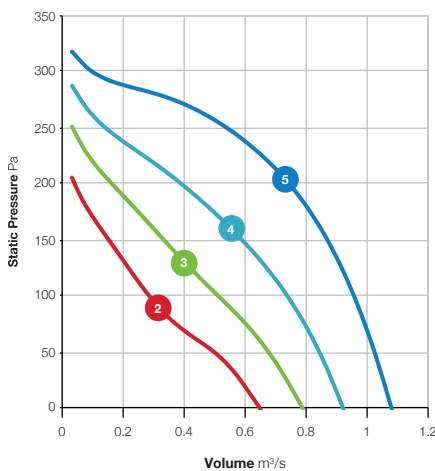
Data provided is at standard air density of 1.2 kg/m³. Data in accordance with ErP 1253/2014 of the European Parliament. Product category is NRVU. Measurement category used to determine energy efficiency: D. Peak Amps @ 400V / 3PH / 50Hz. The overall A-weighted sound pressure level is at a distance of 3m with spherical free-field propagation. It is expressed in dB re-20μPa and is presented for comparative purposes only.

Sound Data (50Hz)

Product Code	Speed r/min		Sound Power Level dBW @ Octave Band Hz								Total dB
			63Hz	125Hz	250Hz	500Hz	1kHz	2kHz	4kHz	8kHz	
SMB500/4-3AC	1380	Inlet	69	73	66	66	60	63	62	56	76
		Outlet	71	71	66	67	68	67	64	58	77

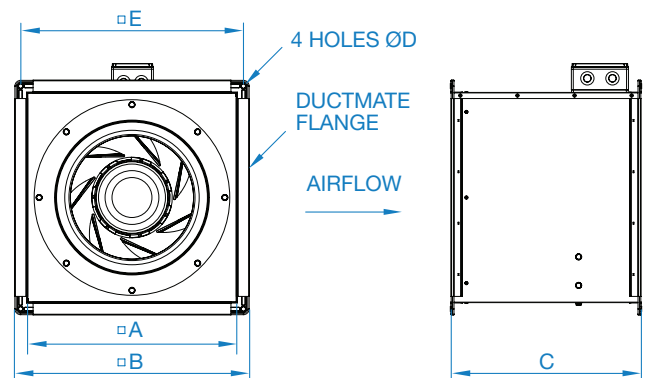
Data provided at standard air density of 1.2 kg/m³. Tests and preparation of the sound data have been carried out in accordance with BS 848 Part 2:1985 at 50% peak pressure. The Sound Power Level Spectra are in dB re-1pW.

Performance Curve



Dimensional Data

Product Code	A	B	C	D	E	Flange	Weight kg
SMB500/4-3AC	500	540	400	9	522	20	27



Accessories

Product Code	AV Mounts * (set of 4)	Mounting Brackets (each)	Splitter Silencer	Square Flexible Connectors (each)	Transformer Controller	Wiring Diagram
SMB500/4-3AC	062-002	060-MFB-01	068-0500-MFB	063-0500-MFB	149-TC33	152S-106A

*Supplied as a single mount.

All units comply with 2018 ErP requirements and are classified as Non Residential Ventilation Unit (NRVU) and Unidirectional ventilation Unit (UVU) with variable speed drive type. Elta Fans Limited has a policy of continuous product development and improvement and therefore reserves the right to supply products which may differ from those illustrated and described in this publication. Confirmation of dimensions and data will be supplied on request.

SMB550/4-3AC



Mixed Flow Box Fan

Three Phase 380V to 415V / 50Hz or 60Hz

Performance, SFP & Electrical Data (50Hz)

Product Code	Speed r/min	Airflow SFP	Airflow m ³ /s @ Static Pressure Pa												At Best Efficiency Point		Motor Electrical Data		dBA @ 3m	
			0	25	50	75	100	150	200	250	300	350	400	500	Overall Eff %	Input kW	Peak Amps	Δ / Y	Inlet	Outlet
SMB550/4-3AC	1385	m ³ /s	2.209	2.163	2.115	2.064	2.012	1.901	1.780	1.647	1.496	1.314	1.071	0.254	42.9	1.064	2.33	Y	Inlet	51
		W/(L/s)	0.48	0.49	0.50	0.51	0.53	0.57	0.61	0.66	0.73	0.82	0.95	2.47					Outlet	55

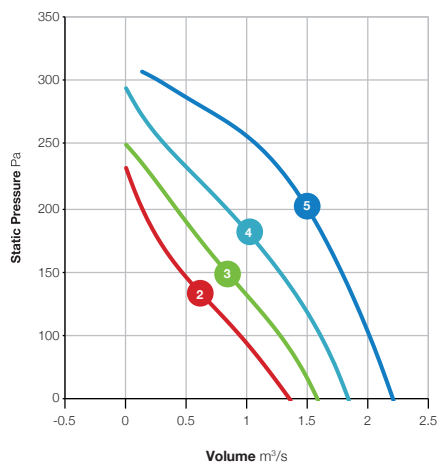
Data provided is at standard air density of 1.2 kg/m³. Data in accordance with ErP 1253/2014 of the European Parliament. Product category is NRVU. Measurement category used to determine energy efficiency: D. Peak Amps @ 400V / 3PH / 50Hz. The overall A-weighted sound pressure level is at a distance of 3m with spherical free-field propagation. It is expressed in dB re-20μPa and is presented for comparative purposes only.

Sound Data (50Hz)

Product Code	Speed r/min		Sound Power Level dBW @ Octave Band Hz								Total dB
			63Hz	125Hz	250Hz	500Hz	1kHz	2kHz	4kHz	8kHz	
SMB550/4-3AC	1385	Inlet	73	75	70	67	64	65	63	58	79
		Outlet	78	74	72	71	71	68	65	59	81

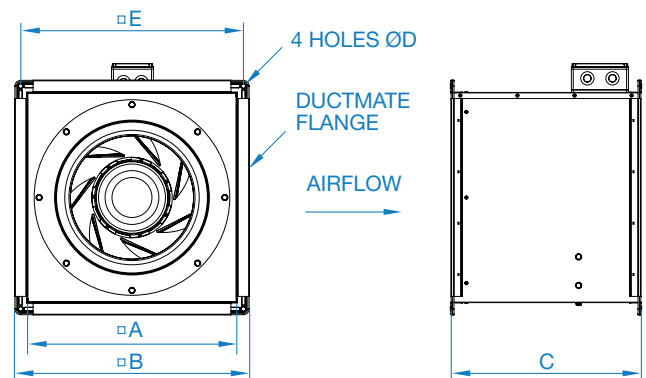
Data provided at standard air density of 1.2 kg/m³. Tests and preparation of the sound data have been carried out in accordance with BS 848 Part 2:1985 at 50% peak pressure. The Sound Power Level Spectra are in dB re-1pW.

Performance Curve



Dimensional Data

Product Code	A	B	C	D	E	Flange	Weight kg
SMB550/4-3AC	550	617	500	11	586	35	41



Accessories

Product Code	AV Mounts * (set of 4)	Mounting Brackets (each)	Splitter Silencer	Square Flexible Connectors (each)	Transformer Controller	Wiring Diagram
SMB550/4-3AC	062-003	060-MFB-01	068-0550-MFB	063-0550-MFB	149-TC310	152S-106A

*Supplied as a single mount.

All units comply with 2018 ErP requirements and are classified as Non Residential Ventilation Unit (NRVU) and Unidirectional ventilation Unit (UVU) with variable speed drive type. Elta Fans Limited has a policy of continuous product development and improvement and therefore reserves the right to supply products which may differ from those illustrated and described in this publication. Confirmation of dimensions and data will be supplied on request.

SMB650/4-3AC



Mixed Flow Box Fan

Three Phase 380V to 415V / 50Hz or 60Hz

Performance, SFP & Electrical Data (50Hz)

Product Code	Speed r/min	Airflow SFP	Airflow m ³ /s @ Static Pressure Pa												At Best Efficiency Point		Motor Electrical Data		dBA @ 3m	
			0	25	50	75	100	150	200	250	300	350	400	500	Overall Eff %	Input kW	Peak Amps	Δ / Y	Inlet	Outlet
SMB650/4-3AC	1320	m ³ /s	2.911	2.855	2.799	2.743	2.686	2.566	2.432	2.275	2.082	1.845	1.574	0.973	44.3	1.433	2.89	Y	57	
		W/(L/s)	0.47	0.49	0.51	0.52	0.54	0.57	0.61	0.66	0.72	0.80	0.90	1.23					61	

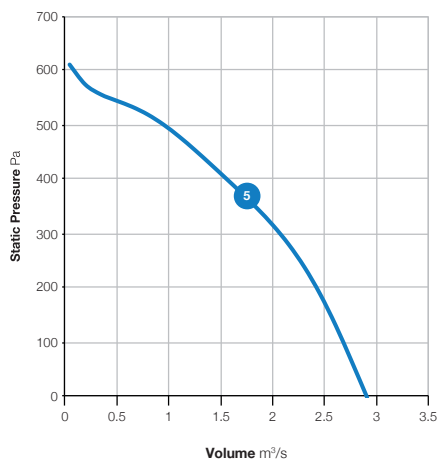
Data provided is at standard air density of 1.2 kg/m³. Data in accordance with ErP 1253/2014 of the European Parliament. Product category is NRVU. Measurement category used to determine energy efficiency: D. Peak Amps @ 400V / 3PH / 50Hz. The overall A-weighted sound pressure level is at a distance of 3m with spherical free-field propagation. It is expressed in dB re-20μPa and is presented for comparative purposes only.

Sound Data (50Hz)

Product Code	Speed r/min		Sound Power Level dBW @ Octave Band Hz								Total dB
			63Hz	125Hz	250Hz	500Hz	1kHz	2kHz	4kHz	8kHz	
SMB650/4-3AC	1320	Inlet	78	82	77	72	71	70	67	62	85
		Outlet	86	82	83	74	77	73	68	61	89

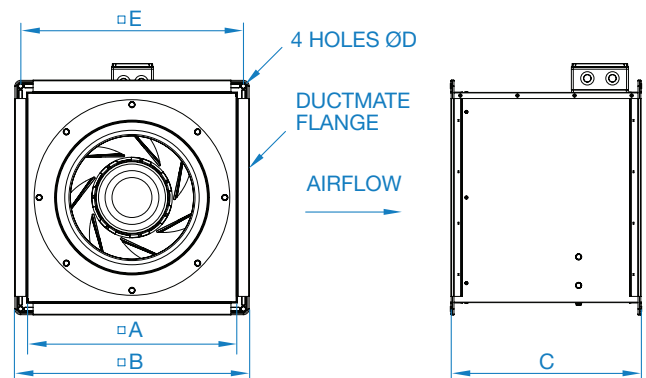
Data provided at standard air density of 1.2 kg/m³. Tests and preparation of the sound data have been carried out in accordance with BS 848 Part 2:1985 at 50% peak pressure. The Sound Power Level Spectra are in dB re-1pW.

Performance Curve



Dimensional Data

Product Code	A	B	C	D	E	Flange	Weight kg
SMB650/4-3AC	650	717	500	11	686	35	47



Accessories

Product Code	AV Mounts * (set of 4)	Mounting Brackets (each)	Splitter Silencer	Square Flexible Connectors (each)	Transformer Controller	Wiring Diagram
SMB650/4-3AC	062-003	060-MFB-01	068-0650-MFB	063-0650-MFB	149-TC310	152S-106A

*Supplied as a single mount.

All units comply with 2018 ErP requirements and are classified as Non Residential Ventilation Unit (NRVU) and Unidirectional ventilation Unit (UVU) with variable speed drive type. Elta Fans Limited has a policy of continuous product development and improvement and therefore reserves the right to supply products which may differ from those illustrated and described in this publication. Confirmation of dimensions and data will be supplied on request.

SMB700/4-3AC



Mixed Flow Box Fan

Three Phase 380V to 415V / 50Hz

Performance, SFP & Electrical Data (50Hz)

Product Code	Speed r/min	Airflow SFP	Airflow m ³ /s @ Static Pressure Pa												At Best Efficiency Point		Motor Electrical Data		dBA @ 3m	
			0	25	50	75	100	150	200	250	300	350	400	500	Overall Eff %	Input kW	Peak Amps	Δ / Y	Inlet	Outlet
SMB700/4-3AC	1350	m ³ /s	4.070	4.017	3.962	3.904	3.844	3.718	3.582	3.435	3.278	3.108	2.927	2.517	48.0	2.621	4.93	Y	Inlet	56
		W/(L/s)	0.61	0.62	0.63	0.64	0.66	0.69	0.72	0.76	0.80	0.85	0.91	1.05					Outlet	61

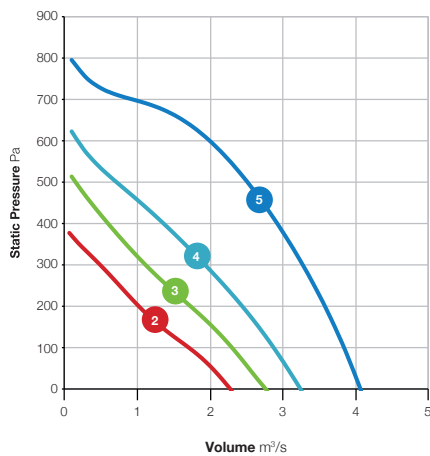
Data provided is at standard air density of 1.2 kg/m³. Data in accordance with ErP 1253/2014 of the European Parliament. Product category is NRVU. Measurement category used to determine energy efficiency: D. Peak Amps @ 400V / 3PH / 50Hz. The overall A-weighted sound pressure level is at a distance of 3m with spherical free-field propagation. It is expressed in dB re-20μPa and is presented for comparative purposes only.

Sound Data (50Hz)

Product Code	Speed r/min		Sound Power Level dBW @ Octave Band Hz								Total dB
			63Hz	125Hz	250Hz	500Hz	1kHz	2kHz	4kHz	8kHz	
SMB700/4-3AC	1350	Inlet	78	79	76	73	71	70	67	63	84
		Outlet	82	79	78	78	78	73	70	63	87

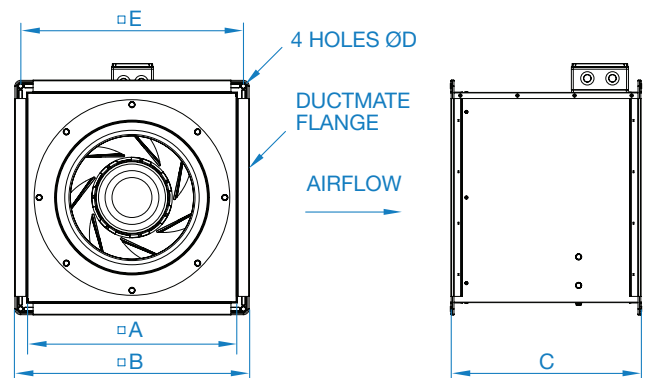
Data provided at standard air density of 1.2 kg/m³. Tests and preparation of the sound data have been carried out in accordance with BS 848 Part 2:1985 at 50% peak pressure. The Sound Power Level Spectra are in dB re-1pW.

Performance Curve



Dimensional Data

Product Code	A	B	C	D	E	Flange	Weight kg
SMB700/4-3AC	700	768	500	11	736	35	55



Accessories

Product Code	AV Mounts * (set of 4)	Mounting Brackets (each)	Splitter Silencer	Square Flexible Connectors (each)	Transformer Controller	Wiring Diagram
SMB700/4-3AC	062-003	060-MFB-01	068-0700-MFB	063-0700-MFB	149-TC310	152S-106A

*Supplied as a single mount.

All units comply with 2018 ErP requirements and are classified as Non Residential Ventilation Unit (NRVU) and Unidirectional ventilation Unit (UVU) with variable speed drive type. Elta Fans Limited has a policy of continuous product development and improvement and therefore reserves the right to supply products which may differ from those illustrated and described in this publication. Confirmation of dimensions and data will be supplied on request.

SMB400/4-1AC-60



Mixed Flow Box Fan

Single Phase 220V - 240V / 50Hz or 60Hz

Performance, SFP & Electrical Data (60Hz)

Product Code	Speed r/min	Airflow SFP	Airflow m ³ /s @ Static Pressure Pa												At Best Efficiency Point		Electrical Data Peak Amps	dBA @ 3m	
			0	25	50	75	100	150	200	250	300	350	400	500	Overall Eff %	Input kW			
SMB400-4-1AC-60	1515	m ³ /s	0.795	0.769	0.741	0.711	0.677	0.596	0.480	0.257	0.053	-	-	-	34.1	0.290	1.40	Inlet	48
		W/(L/s)	0.35	0.38	0.40	0.42	0.45	0.50	0.60	0.95	3.49	-	-	-				Outlet	51

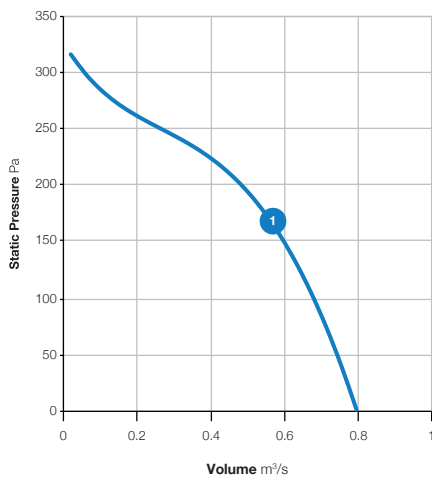
Data provided is at standard air density of 1.2 kg/m³. Data in accordance with ErP 1253/2014 of the European Parliament. Product category is NRVU. Measurement category used to determine energy efficiency: D. Peak Amps @ 230V / 1PH / 50Hz. The overall A-weighted sound pressure level is at a distance of 3m with spherical free-field propagation. It is expressed in dB re-20µPa and is presented for comparative purposes only.

Sound Data (60Hz)

Product Code	Speed r/min		Sound Power Level dBW @ Octave Band Hz								Total dB
			63Hz	125Hz	250Hz	500Hz	1kHz	2kHz	4kHz	8kHz	
SMB400-4-1AC-60	1515	Inlet	74	73	66	63	61	62	60	54	77
		Outlet	76	73	66	67	65	67	62	57	79

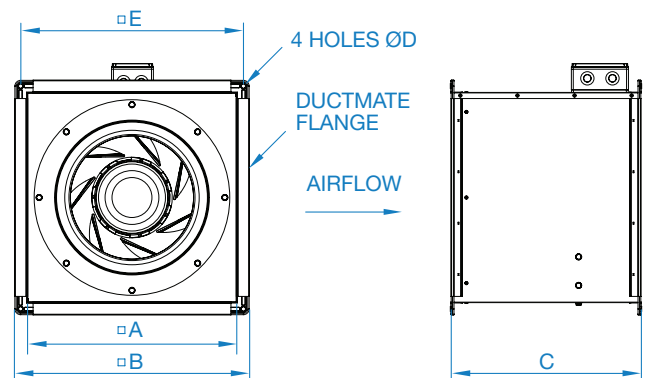
Data provided at standard air density of 1.2 kg/m³. Tests and preparation of the sound data have been carried out in accordance with BS 848 Part 2:1985 at 50% peak pressure. The Sound Power Level Spectra are in dB re-1pW.

Performance Curve



Dimensional Data

Product Code	A	B	C	D	E	Flange	Weight kg
SMB400/4-1AC	400	440	300	9	422	20	16



Accessories

Product Code	AV Mounts * (set of 4)	Mounting Brackets (each)	Splitter Silencer	Square Flexible Connectors (each)	Wiring Diagram
SMB400/4-1AC	062-002	060-MFB-01	068-0400-MFB	063-0400-MFB	152S-104A

*Supplied as a single mount.

All units comply with 2018 ErP requirements and are classified as Non Residential Ventilation Unit (NRVU) and Unidirectional ventilation Unit (UVU) with variable speed drive type. Elta Fans Limited has a policy of continuous product development and improvement and therefore reserves the right to supply products which may differ from those illustrated and described in this publication. Confirmation of dimensions and data will be supplied on request.

SMB450/4-1AC-60



Mixed Flow Box Fan

Single Phase 220V - 240V / 50Hz or 60Hz

Performance, SFP & Electrical Data (60Hz)

Product Code	Speed r/min	Airflow SFP	Airflow m ³ /s @ Static Pressure Pa												At Best Efficiency Point		Electrical Data	dBA @ 3m	
			0	25	50	75	100	150	200	250	300	350	400	500	Overall Eff %	Input kW			
SMB450-4-1AC-60	1585	m ³ /s	1.227	1.195	1.163	1.131	1.097	1.027	0.948	0.851	0.716	0.454	0.141	-	38.4	0.582	2.40	Inlet	46
		W/(L/s)	0.46	0.47	0.49	0.51	0.53	0.57	0.63	0.70	0.81	1.13	2.92	-				Outlet	50

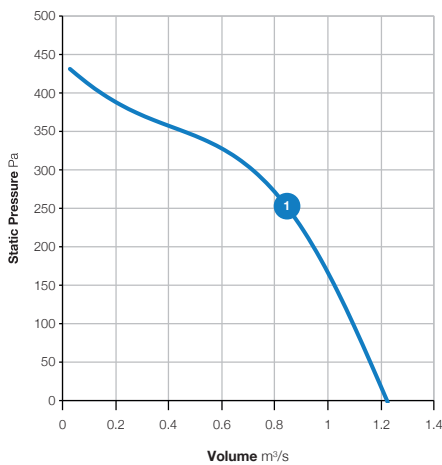
Data provided is at standard air density of 1.2 kg/m³. Data in accordance with ErP 1253/2014 of the European Parliament. Product category is NRVU. Measurement category used to determine energy efficiency: D. Peak Amps @ 230V / 1PH / 50Hz. The overall A-weighted sound pressure level is at a distance of 3m with spherical free-field propagation. It is expressed in dB re-20µPa and is presented for comparative purposes only.

Sound Data (60Hz)

Product Code	Speed r/min		Sound Power Level dBW @ Octave Band Hz								Total dB
			63Hz	125Hz	250Hz	500Hz	1kHz	2kHz	4kHz	8kHz	
SMB450-4-1AC-60	1585	Inlet	71	71	67	62	59	60	59	53	75
		Outlet	71	73	69	64	65	64	62	56	77

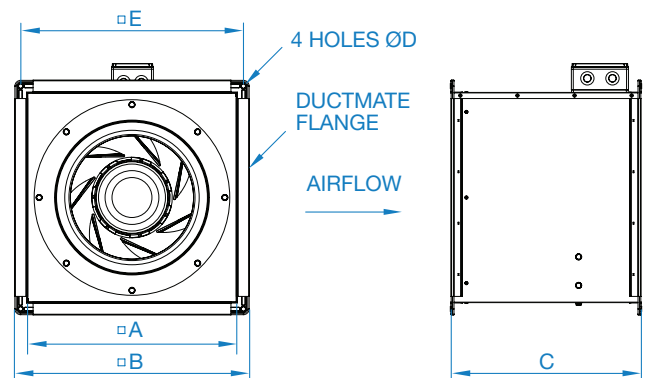
Data provided at standard air density of 1.2 kg/m³. Tests and preparation of the sound data have been carried out in accordance with BS 848 Part 2:1985 at 50% peak pressure. The Sound Power Level Spectra are in dB re-1pW.

Performance Curve



Dimensional Data

Product Code	A	B	C	D	E	Flange	Weight kg
SMB450/4-1AC	450	490	400	9	472	20	23



Accessories

Product Code	AV Mounts * (set of 4)	Mounting Brackets (each)	Splitter Silencer	Square Flexible Connectors (each)	Wiring Diagram
SMB450/4-1AC	062-002	060-MFB-01	068-0450-MFB	063-0450-MFB	152S-104A

*Supplied as a single mount.

All units comply with 2018 ErP requirements and are classified as Non Residential Ventilation Unit (NRVU) and Unidirectional ventilation Unit (UVU) with variable speed drive type. Elta Fans Limited has a policy of continuous product development and improvement and therefore reserves the right to supply products which may differ from those illustrated and described in this publication. Confirmation of dimensions and data will be supplied on request.

SMB500/4-1AC-60



Mixed Flow Box Fan

Single Phase 220V - 240V / 50Hz or 60Hz

Performance, SFP & Electrical Data (60Hz)

Product Code	Speed r/min	Airflow SFP	Airflow m ³ /s @ Static Pressure Pa												At Best Efficiency Point		Electrical Data	dBA @ 3m	
			0	25	50	75	100	150	200	250	300	350	400	500	Overall Eff %	Input kW			
SMB500-4-1AC-60	1585	m ³ /s	1.220	1.198	1.173	1.146	1.116	1.048	0.964	0.860	0.722	0.494	0.076	-	39.3	0.560	2.40	Inlet	51
		W/(L/s)	0.44	0.45	0.47	0.48	0.50	0.54	0.59	0.67	0.78	1.04	4.74	-				Outlet	55

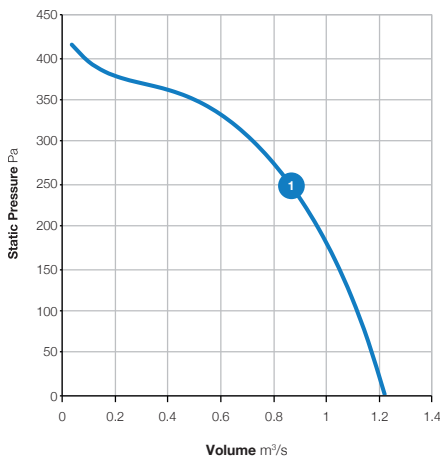
Data provided is at standard air density of 1.2 kg/m³. Data in accordance with ErP 1253/2014 of the European Parliament. Product category is NRVU. Measurement category used to determine energy efficiency: D. Peak Amps @ 230V / 1PH / 50Hz. The overall A-weighted sound pressure level is at a distance of 3m with spherical free-field propagation. It is expressed in dB re-20µPa and is presented for comparative purposes only.

Sound Data (60Hz)

Product Code	Speed r/min		Sound Power Level dBW @ Octave Band Hz								Total dB
			63Hz	125Hz	250Hz	500Hz	1kHz	2kHz	4kHz	8kHz	
SMB500-4-1AC-60	1585	Inlet	74	75	70	68	63	65	65	59	79
		Outlet	75	74	70	70	71	69	67	61	80

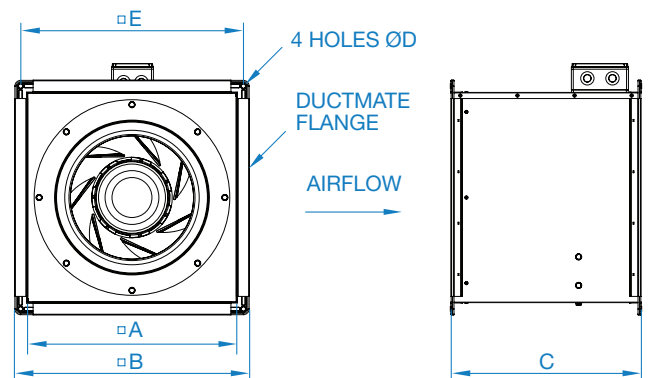
Data provided at standard air density of 1.2 kg/m³. Tests and preparation of the sound data have been carried out in accordance with BS 848 Part 2:1985 at 50% peak pressure. The Sound Power Level Spectra are in dB re-1pW.

Performance Curve



Dimensional Data

Product Code	A	B	C	D	E	Flange	Weight kg
SMB500/4-1AC	500	540	400	9	522	20	27



Accessories

Product Code	AV Mounts * (set of 4)	Mounting Brackets (each)	Splitter Silencer	Square Flexible Connectors (each)	Wiring Diagram
SMB500/4-1AC	062-002	060-MFB-01	068-0500-MFB	063-0500-MFB	152S-104A

*Supplied as a single mount.

All units comply with 2018 ErP requirements and are classified as Non Residential Ventilation Unit (NRVU) and Unidirectional ventilation Unit (UVU) with variable speed drive type. Elta Fans Limited has a policy of continuous product development and improvement and therefore reserves the right to supply products which may differ from those illustrated and described in this publication. Confirmation of dimensions and data will be supplied on request.

SMB550/4-1AC-60



Mixed Flow Box Fan

Single Phase 220V - 240V / 50Hz or 60Hz

Performance, SFP & Electrical Data (60Hz)

Product Code	Speed r/min	Airflow SFP	Airflow m ³ /s @ Static Pressure Pa												At Best Efficiency Point		Electrical Data Peak Amps	dBA @ 3m	
			0	25	50	75	100	150	200	250	300	350	400	500	Overall Eff %	Input kW			
SMB550-4-1AC-60	1335	m ³ /s	1.530	1.496	1.459	1.418	1.373	1.267	1.140	0.991	0.812	0.541	0.120	-	38.9	0.730	3.23	Inlet	56
		W/(L/s)	0.50	0.52	0.53	0.55	0.57	0.62	0.68	0.77	0.89	1.21	4.55	-				Outlet	59

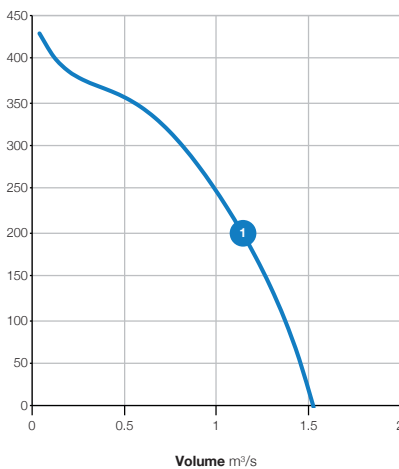
Data provided is at standard air density of 1.2 kg/m³. Data in accordance with ErP 1253/2014 of the European Parliament. Product category is NRVU. Measurement category used to determine energy efficiency: D. Peak Amps @ 230V / 1PH / 50Hz. The overall A-weighted sound pressure level is at a distance of 3m with spherical free-field propagation. It is expressed in dB re-20µPa and is presented for comparative purposes only.

Sound Data (60Hz)

Product Code	Speed r/min		Sound Power Level dBW @ Octave Band Hz								Total dB
			63Hz	125Hz	250Hz	500Hz	1kHz	2kHz	4kHz	8kHz	
SMB550-4-1AC-60	1335	Inlet	77	78	82	69	67	67	65	59	85
		Outlet	80	77	83	75	74	71	67	60	86

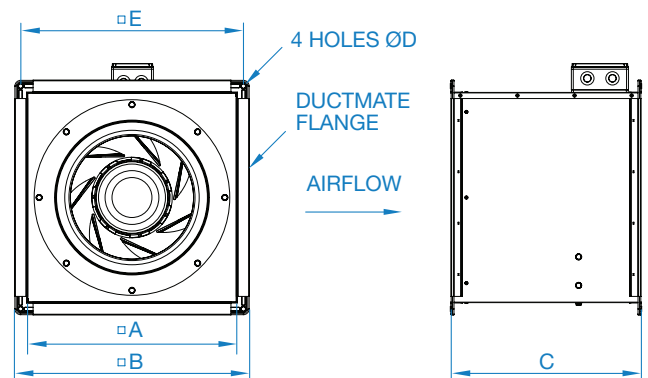
Data provided at standard air density of 1.2 kg/m³. Tests and preparation of the sound data have been carried out in accordance with BS 848 Part 2:1985 at 50% peak pressure. The Sound Power Level Spectra are in dB re-1pW.

Performance Curve



Dimensional Data

Product Code	A	B	C	D	E	Flange	Weight kg
SMB550/4-1AC	550	617	500	11	586	35	41



Accessories

Product Code	AV Mounts * (set of 4)	Mounting Brackets (each)	Splitter Silencer	Square Flexible Connectors (each)	Wiring Diagram
SMB550/4-1AC	062-003	060-MFB-01	068-0550-MFB	063-0550-MFB	152S-104A

*Supplied as a single mount.

All units comply with 2018 ErP requirements and are classified as Non Residential Ventilation Unit (NRVU) and Unidirectional ventilation Unit (UVU) with variable speed drive type. Elta Fans Limited has a policy of continuous product development and improvement and therefore reserves the right to supply products which may differ from those illustrated and described in this publication. Confirmation of dimensions and data will be supplied on request.

SMB650/4-1AC-60



Mixed Flow Box Fan

Single Phase 220V - 240V / 50Hz or 60Hz

Performance, SFP & Electrical Data (60Hz)

Product Code	Speed r/min	Airflow SFP	Airflow m ³ /s @ Static Pressure Pa												At Best Efficiency Point		Electrical Data	dBA @ 3m	
			0	25	50	75	100	150	200	250	300	350	400	500	Overall Eff %	Input kW			
SMB650-4-1AC-60	1530	m ³ /s	2.437	2.412	2.386	2.358	2.328	2.261	2.184	2.093	1.984	1.854	1.699	1.309	45.0	1.557	7.40	Inlet	60
		W/(L/s)	0.58	0.60	0.61	0.63	0.64	0.68	0.71	0.74	0.79	0.84	0.92	1.16				Outlet	63

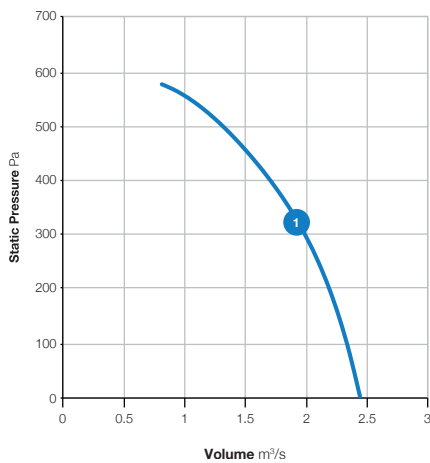
Data provided is at standard air density of 1.2 kg/m³. Data in accordance with ErP 1253/2014 of the European Parliament. Product category is NRVU. Measurement category used to determine energy efficiency: D. Peak Amps @ 230V / 1PH / 50Hz. The overall A-weighted sound pressure level is at a distance of 3m with spherical free-field propagation. It is expressed in dB re-20μPa and is presented for comparative purposes only.

Sound Data (60Hz)

Product Code	Speed r/min		Sound Power Level dBW @ Octave Band Hz								Total dB
			63Hz	125Hz	250Hz	500Hz	1kHz	2kHz	4kHz	8kHz	
SMB650-4-1AC-60	1530	Inlet	88	85	81	75	74	73	69	65	91
		Outlet	92	87	83	78	80	76	72	64	94

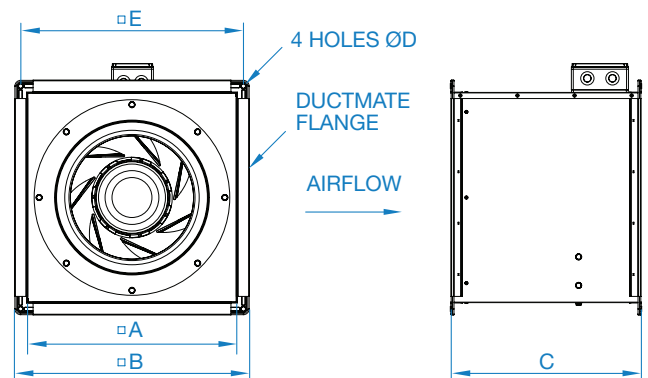
Data provided at standard air density of 1.2 kg/m³. Tests and preparation of the sound data have been carried out in accordance with BS 848 Part 2:1985 at 50% peak pressure. The Sound Power Level Spectra are in dB re-1pW.

Performance Curve



Dimensional Data

Product Code	A	B	C	D	E	Flange	Weight kg
SMB650/4-1AC	650	717	500	11	686	35	47



Accessories

Product Code	AV Mounts * (set of 4)	Mounting Brackets (each)	Splitter Silencer	Square Flexible Connectors (each)	Wiring Diagram
SMB650/4-1AC	062-003	060-MFB-01	068-0650-MFB	063-0650-MFB	152S-104A

*Supplied as a single mount.

All units comply with 2018 ErP requirements and are classified as Non Residential Ventilation Unit (NRVU) and Unidirectional ventilation Unit (UVU) with variable speed drive type. Elta Fans Limited has a policy of continuous product development and improvement and therefore reserves the right to supply products which may differ from those illustrated and described in this publication. Confirmation of dimensions and data will be supplied on request.

SMB400/4-3AC-60



Mixed Flow Box Fan

Three Phase 380V to 415V / 50Hz or 60Hz

Performance, SFP & Electrical Data (60Hz)

Product Code	Speed r/min	Airflow SFP	Airflow m ³ /s @ Static Pressure Pa												At Best Efficiency Point		Motor Electrical Data		dBA @ 3m	
			0	25	50	75	100	150	200	250	300	350	400	500	Overall Eff %	Input kW	Peak Amps	Δ / Y	Inlet	Outlet
SMB400-4-1AC-60	1590	m ³ /s	0.774	0.759	0.742	0.723	0.702	0.649	0.570	0.420	0.160	-	-	-	41.0	0.287	0.54	Y	Inlet	49
		W/(L/s)	0.38	0.39	0.40	0.42	0.43	0.47	0.52	0.64	1.23	-	-	-					Outlet	53

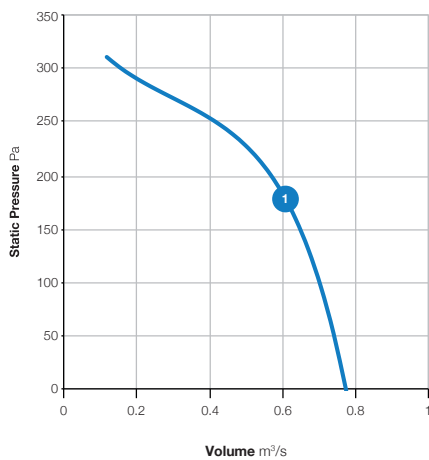
Data provided is at standard air density of 1.2 kg/m³. Data in accordance with ErP 1253/2014 of the European Parliament. Product category is NRVU. Measurement category used to determine energy efficiency: D. Peak Amps @ 400V / 3PH / 50Hz. The overall A-weighted sound pressure level is at a distance of 3m with spherical free-field propagation. It is expressed in dB re-20μPa and is presented for comparative purposes only.

Sound Data (60Hz)

Product Code	Speed r/min		Sound Power Level dBW @ Octave Band Hz								Total dB
			63Hz	125Hz	250Hz	500Hz	1kHz	2kHz	4kHz	8kHz	
SMB400-4-3AC-60	1590	Inlet	74	73	67	65	63	63	62	56	78
		Outlet	77	74	67	68	67	69	64	59	80

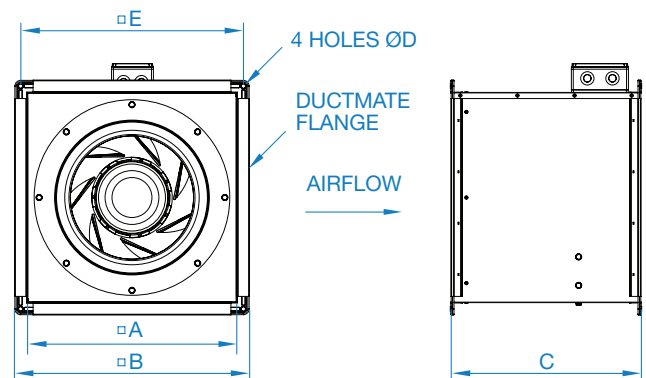
Data provided at standard air density of 1.2 kg/m³. Tests and preparation of the sound data have been carried out in accordance with BS 848 Part 2:1985 at 50% peak pressure. The Sound Power Level Spectra are in dB re-1pW.

Performance Curve



Dimensional Data

Product Code	A	B	C	D	E	Flange	Weight kg
SMB400/4-3AC	400	440	300	9	422	20	16



Accessories

Product Code	AV Mounts * (set of 4)	Mounting Brackets (each)	Splitter Silencer	Square Flexible Connectors (each)	Wiring Diagram
SMB400/4-3AC	062-002	060-MFB-01	068-0400-MFB	063-0400-MFB	152S-106A

*Supplied as a single mount.

All units comply with 2018 ErP requirements and are classified as Non Residential Ventilation Unit (NRVU) and Unidirectional ventilation Unit (UVU) with variable speed drive type. Elta Fans Limited has a policy of continuous product development and improvement and therefore reserves the right to supply products which may differ from those illustrated and described in this publication. Confirmation of dimensions and data will be supplied on request.

SMB450/4-3AC-60



Mixed Flow Box Fan

Three Phase 380V to 415V / 50Hz or 60Hz

Performance, SFP & Electrical Data (60Hz)

Product Code	Speed r/min	Airflow SFP	Airflow m ³ /s @ Static Pressure Pa												At Best Efficiency Point		Motor Electrical Data		dBA @ 3m	
			0	25	50	75	100	150	200	250	300	350	400	500	Overall Eff %	Input kW	Peak Amps	Δ / Y	Inlet	Outlet
SMB450-4-1AC-60	1535	m ³ /s	1.154	1.126	1.096	1.065	1.034	0.965	0.887	0.792	0.658	0.406	-	-	39.7	0.518	0.82	Y	Inlet	45
		W/(L/s)	0.47	0.48	0.50	0.51	0.53	0.57	0.61	0.68	0.78	0.05	-	-					Outlet	49

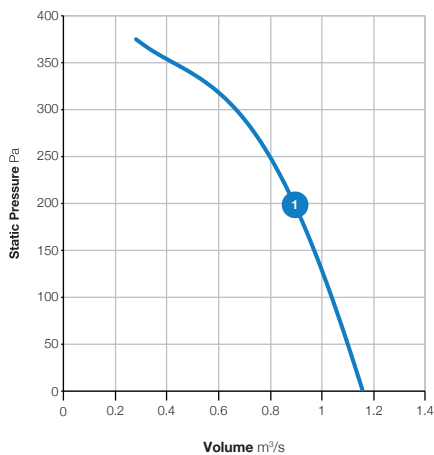
Data provided is at standard air density of 1.2 kg/m³. Data in accordance with ErP 1253/2014 of the European Parliament. Product category is NRVU. Measurement category used to determine energy efficiency: D. Peak Amps @ 400V / 3PH / 50Hz. The overall A-weighted sound pressure level is at a distance of 3m with spherical free-field propagation. It is expressed in dB re-20μPa and is presented for comparative purposes only.

Sound Data (60Hz)

Product Code	Speed r/min		Sound Power Level dBW @ Octave Band Hz								Total dB
			63Hz	125Hz	250Hz	500Hz	1kHz	2kHz	4kHz	8kHz	
SMB450-4-3AC-60	1535	Inlet	68	71	64	61	57	59	58	52	74
		Outlet	69	70	64	63	65	63	61	55	75

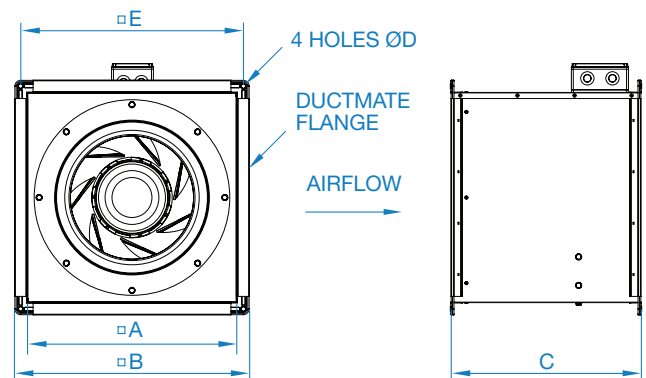
Data provided at standard air density of 1.2 kg/m³. Tests and preparation of the sound data have been carried out in accordance with BS 848 Part 2:1985 at 50% peak pressure. The Sound Power Level Spectra are in dB re-1pW.

Performance Curve



Dimensional Data

Product Code	A	B	C	D	E	Flange	Weight kg
SMB450/4-3AC	450	490	400	9	472	20	23



Accessories

Product Code	AV Mounts * (set of 4)	Mounting Brackets (each)	Splitter Silencer	Square Flexible Connectors (each)	Wiring Diagram
SMB450/4-3AC	062-002	060-MFB-01	068-0450-MFB	063-0450-MFB	152S-106A

*Supplied as a single mount.

All units comply with 2018 ErP requirements and are classified as Non Residential Ventilation Unit (NRVU) and Unidirectional ventilation Unit (UVU) with variable speed drive type. Elta Fans Limited has a policy of continuous product development and improvement and therefore reserves the right to supply products which may differ from those illustrated and described in this publication. Confirmation of dimensions and data will be supplied on request.

SMB500/4-3AC-60



Mixed Flow Box Fan

Three Phase 380V to 415V / 50Hz or 60Hz

Performance, SFP & Electrical Data (60Hz)

Product Code	Speed r/min	Airflow SFP	Airflow m ³ /s @ Static Pressure Pa												At Best Efficiency Point		Motor Electrical Data		dBA @ 3m	
			0	25	50	75	100	150	200	250	300	350	400	500	Overall Eff %	Input kW	Peak Amps	Δ / Y	Inlet	Outlet
SMB500-4-3AC-60	1545	m ³ /s	1.177	1.155	1.131	1.105	1.077	1.011	0.929	0.818	0.656	0.414	0.114	-	42.9	0.483	0.82	Y	52	
		W/(L/s)	0.39	0.41	0.43	0.44	0.46	0.50	0.55	0.61	0.72	0.95	2.37	-					55	

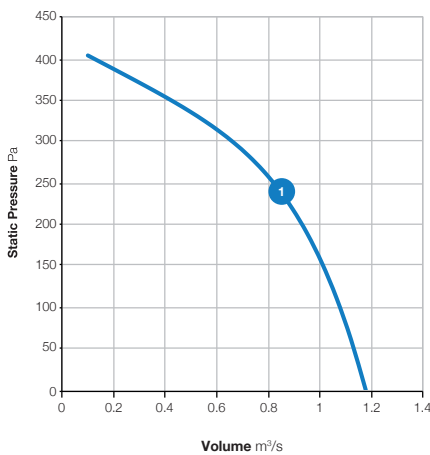
Data provided is at standard air density of 1.2 kg/m³. Data in accordance with ErP 1253/2014 of the European Parliament. Product category is NRVU. Measurement category used to determine energy efficiency: D. Peak Amps @ 400V / 3PH / 50Hz. The overall A-weighted sound pressure level is at a distance of 3m with spherical free-field propagation. It is expressed in dB re-20μPa and is presented for comparative purposes only.

Sound Data (60Hz)

Product Code	Speed r/min		Sound Power Level dBW @ Octave Band Hz								Total dB
			63Hz	125Hz	250Hz	500Hz	1kHz	2kHz	4kHz	8kHz	
SMB500-4-3AC-60	1545	Inlet	72	76	69	69	63	66	65	59	79
		Outlet	74	74	69	70	71	70	67	61	80

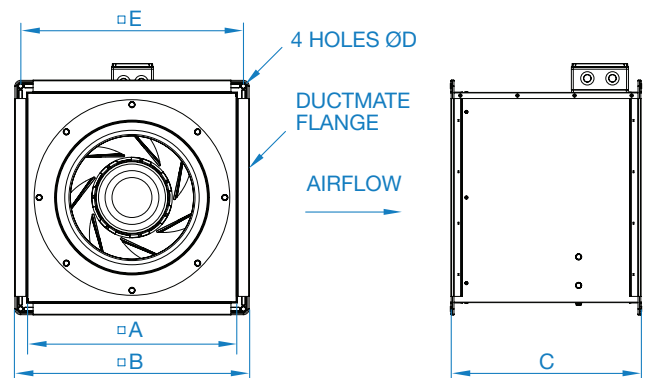
Data provided at standard air density of 1.2 kg/m³. Tests and preparation of the sound data have been carried out in accordance with BS 848 Part 2:1985 at 50% peak pressure. The Sound Power Level Spectra are in dB re-1pW.

Performance Curve



Dimensional Data

Product Code	A	B	C	D	E	Flange	Weight kg
SMB500/4-3AC	500	540	400	9	522	20	27



Accessories

Product Code	AV Mounts * (set of 4)	Mounting Brackets (each)	Splitter Silencer	Square Flexible Connectors (each)	Wiring Diagram
SMB500/4-3AC	062-002	060-MFB-01	068-0500-MFB	063-0500-MFB	152S-106A

*Supplied as a single mount.

All units comply with 2018 ErP requirements and are classified as Non Residential Ventilation Unit (NRVU) and Unidirectional ventilation Unit (UVU) with variable speed drive type. Elta Fans Limited has a policy of continuous product development and improvement and therefore reserves the right to supply products which may differ from those illustrated and described in this publication. Confirmation of dimensions and data will be supplied on request.

SMB550/4-3AC-60



Mixed Flow Box Fan

Three Phase 380V to 415V / 60Hz

Performance, SFP & Electrical Data (60Hz)

Product Code	Speed r/min	Airflow SFP	Airflow m³/s @ Static Pressure Pa												At Best Efficiency Point		Motor Electrical Data		dBA @ 3m	
			0	25	50	75	100	150	200	250	300	350	400	500	Overall Eff %	Input kW	Peak Amps	Δ / Y		
SMB550-4-3AC-60	1535	m³/s	2.445	2.404	2.361	2.316	2.269	2.167	2.058	2.058	1.940	1.676	1.524	1.126	40.7	1.543	2.50	Y	Inlet	53
		W/(L/s)	0.72	0.72	0.72	0.73	0.73	0.75	0.78	0.83	0.88	0.95	1.03	1.29					Outlet	57

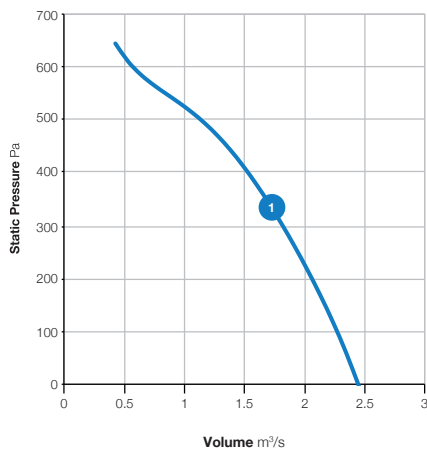
Data provided is at standard air density of 1.2 kg/m³. Data in accordance with ErP 1253/2014 of the European Parliament. Product category is NRVU. Measurement category used to determine energy efficiency: D. Peak Amps @ 400V / 3PH / 50Hz. The overall A-weighted sound pressure level is at a distance of 3m with spherical free-field propagation. It is expressed in dB re-20µPa and is presented for comparative purposes only.

Sound Data (60Hz)

Product Code	Speed r/min		Sound Power Level dBW @ Octave Band Hz								Total dB
			63Hz	125Hz	250Hz	500Hz	1kHz	2kHz	4kHz	8kHz	
SMB550-4-3AC-60	1535	Inlet	75	77	72	69	66	67	65	60	81
		Outlet	80	76	74	73	73	70	67	61	83

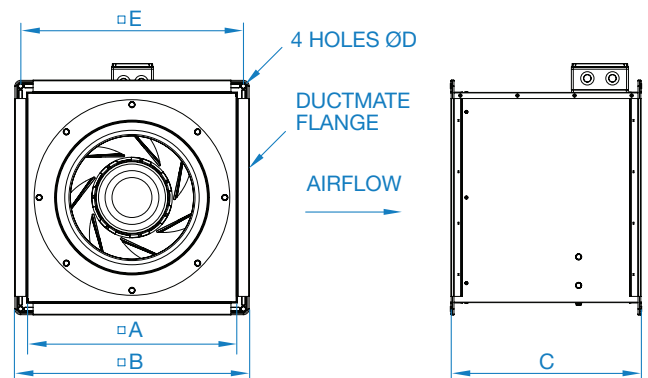
Data provided at standard air density of 1.2 kg/m³. Tests and preparation of the sound data have been carried out in accordance with BS 848 Part 2:1985 at 50% peak pressure. The Sound Power Level Spectra are in dB re-1pW.

Performance Curve



Dimensional Data

Product Code	A	B	C	D	E	Flange	Weight kg
SMB550/4-3AC	550	617	500	11	586	35	41



Accessories

Product Code	AV Mounts * (set of 4)	Mounting Brackets (each)	Splitter Silencer	Square Flexible Connectors (each)	Wiring Diagram
SMB550/4-3AC	062-003	060-MFB-01	068-0550-MFB	063-0550-MFB	152S-106A

*Supplied as a single mount.

All units comply with 2018 ErP requirements and are classified as Non Residential Ventilation Unit (NRVU) and Unidirectional ventilation Unit (UVU) with variable speed drive type. Elta Fans Limited has a policy of continuous product development and improvement and therefore reserves the right to supply products which may differ from those illustrated and described in this publication. Confirmation of dimensions and data will be supplied on request.

SMB650/4-3AC-60



Mixed Flow Box Fan

Three Phase 380V to 415V / 50Hz or 60Hz

Performance, SFP & Electrical Data (60Hz)

Product Code	Speed r/min	Airflow SFP	Airflow m ³ /s @ Static Pressure Pa												At Best Efficiency Point		Motor Electrical Data		dBA @ 3m	
			0	25	50	75	100	150	200	250	300	350	400	500	Overall Eff %	Input kW	Peak Amps	Δ / Y	Inlet	Outlet
SMB650-4-3AC-60	1385	m ³ /s	2.945	2.904	2.861	2.815	2.766	2.655	2.527	2.379	2.210	2.020	1.812	1.352	37.5	1.976	3.60	Y	Inlet	57
		W/(L/s)	0.67	0.68	0.70	0.71	0.73	0.76	0.81	0.86	0.93	1.01	1.11	1.38					Outlet	61

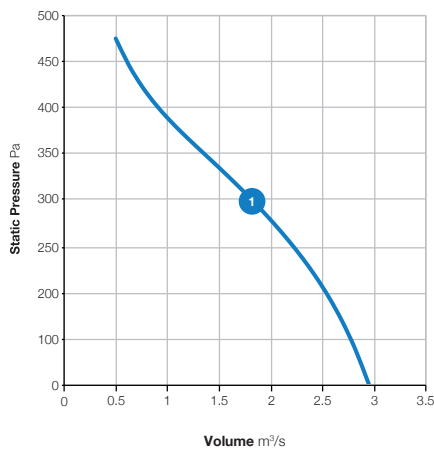
Data provided is at standard air density of 1.2 kg/m³. Data in accordance with ErP 1253/2014 of the European Parliament. Product category is NRVU. Measurement category used to determine energy efficiency: D. Peak Amps @ 400V / 3PH / 50Hz. The overall A-weighted sound pressure level is at a distance of 3m with spherical free-field propagation. It is expressed in dB re-20μPa and is presented for comparative purposes only.

Sound Data (60Hz)

Product Code	Speed r/min		Sound Power Level dBW @ Octave Band Hz								Total dB
			63Hz	125Hz	250Hz	500Hz	1kHz	2kHz	4kHz	8kHz	
SMB650-4-3AC-60	1385	Inlet	79	83	78	73	72	71	68	63	86
		Outlet	87	83	84	75	78	74	69	62	90

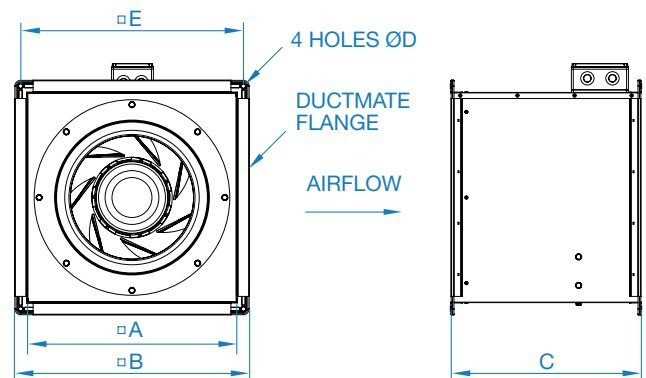
Data provided at standard air density of 1.2 kg/m³. Tests and preparation of the sound data have been carried out in accordance with BS 848 Part 2:1985 at 50% peak pressure. The Sound Power Level Spectra are in dB re-1pW.

Performance Curve



Dimensional Data

Product Code	A	B	C	D	E	Flange	Weight kg
SMB650/4-3AC	650	717	500	11	686	35	47



Accessories

Product Code	AV Mounts * (set of 4)	Mounting Brackets (each)	Splitter Silencer	Square Flexible Connectors (each)	Wiring Diagram
SMB650/4-3AC	062-003	060-MFB-01	068-0650-MFB	063-0650-MFB	152S-106A

*Supplied as a single mount.

All units comply with 2018 ErP requirements and are classified as Non Residential Ventilation Unit (NRVU) and Unidirectional ventilation Unit (UVU) with variable speed drive type. Elta Fans Limited has a policy of continuous product development and improvement and therefore reserves the right to supply products which may differ from those illustrated and described in this publication. Confirmation of dimensions and data will be supplied on request.

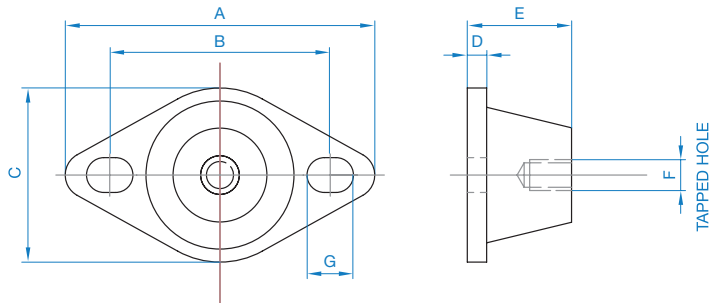
AV MOUNTS

Accessories



- Fits directly to mounting feet
- Rubber with steel insert
- Supplied as a single mount
- Typical installation requires 4 or 6 mounts per fan

Product Code	A	B	C	D	E	F	G	Weight kg
062-002	64	50	43	5.5	20	M6	Ø7	0.040
062-003	80	57	45	5	32	M8	12 x 9	0.102



Dimensions are in mm.

All units comply with 2018 ErP requirements and are classified as Non Residential Ventilation Unit (NRVU) and Unidirectional ventilation Unit (UVU) with variable speed drive type. Etta Fans Limited has a policy of continuous product development and improvement and therefore reserves the right to supply products which may differ from those illustrated and described in this publication. Confirmation of dimensions and data will be supplied on request.

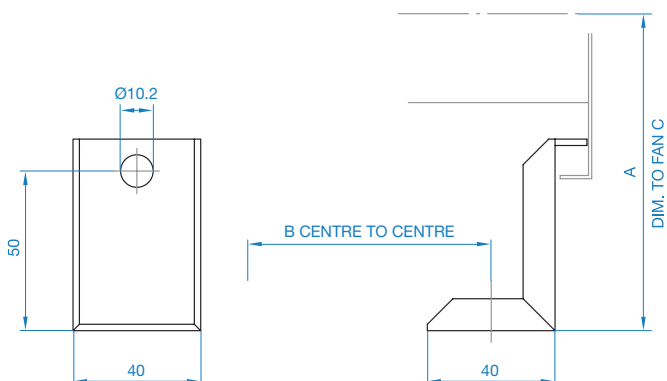
MOUNTING BRACKETS

Accessories



- For free standing mount of for use with ant-vibration mounts
- Fix directly to flange
- Supplied in sets of 4 (less fixings)
- Folded galvanised steel

Product Code	Fan Dia.	A	B	Weight kg
060-MFB-01	400	263	424	0.22
060-MFB-01	450	288	414	0.22
060-MFB-01	500	313	444	0.22
060-MFB-01	550	343	494	0.22
060-MFB-01	650	393	544	0.22
060-MFB-01	700	418	594	0.22



Dimensions are in mm.

All units comply with 2018 ErP requirements and are classified as Non Residential Ventilation Unit (NRVU) and Unidirectional ventilation Unit (UVU) with variable speed drive type. Etta Fans Limited has a policy of continuous product development and improvement and therefore reserves the right to supply products which may differ from those illustrated and described in this publication. Confirmation of dimensions and data will be supplied on request.

SPLITTER SILENCER

Accessories

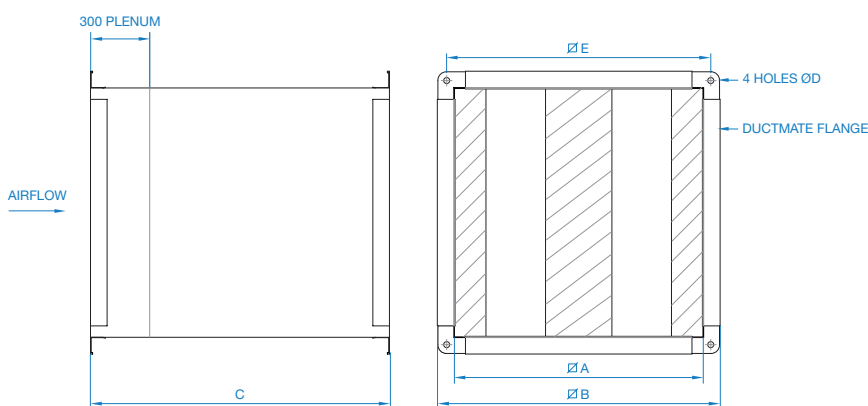


- Baffle type silencers
- Galvanised steel casing with perforated steel lining and baffles
- Infill is glass tissue faced high density mineral wool

Product Code	Insertion Loss @ Octave band							
	63	125	250	500	1K	2K	4K	8K
068-0400-MFB	-4	-6	-14	-23	-30	-29	-20	-14
068-0450-MFB	-4	-9	-13	-25	-31	-30	-22	-15
068-0500-MFB	-4	-9	-14	-24	-30	-30	-23	-16
068-0550-MFB	-4	-6	-11	-22	-28	-27	-18	-14
068-0650-MFB	-4	-7	-13	-24	-26	-25	-17	-12
068-0700-MFB	-4	-7	-13	-24	-26	-25	-17	-12

Dimensional Data

Product Code	A	B	C	D	E	Ductmate Flange	Weight kg
068-0400-MFB	400	450	1200	9	425	25	31
068-0450-MFB	450	500	1200	9	475	25	38
068-0500-MFB	500	550	1200	9	525	25	42
068-0550-MFB	550	620	1200	11	585	35	49
068-0650-MFB	650	720	1500	11	685	35	74
068-0700-MFB	700	770	1500	11	735	35	81



Dimensions are in mm.

All units comply with 2018 ErP requirements and are classified as Non Residential Ventilation Unit (NRVU) and Unidirectional ventilation Unit (UVU) with variable speed drive type. Etta Fans Limited has a policy of continuous product development and improvement and therefore reserves the right to supply products which may differ from those illustrated and described in this publication. Confirmation of dimensions and data will be supplied on request.

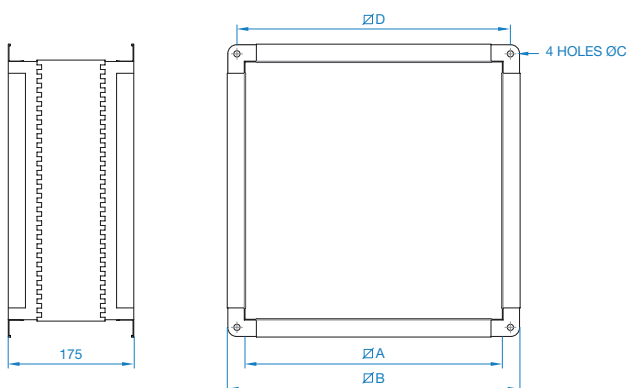
SQUARE FLEXIBLE CONNECTOR

Accessories

- Provides easy flexible connection with any matched ducting
- Supplied as an assembly (less fixing)
- Grey elastomer coated fibreglass material to galvanised steel flanges



Product Code	Fan Dia.	A	B	C	D	Weight kg
063-0400-MFB	400	400	450	9	425	2.6
063-0450-MFB	450	450	500	9	475	2.9
063-0500-MFB	500	500	550	9	525	3.2
063-0550-MFB	550	550	620	11	585	4.6
063-0650-MFB	650	650	720	11	685	5.4
063-0700-MFB	700	700	770	11	735	5.8



Dimensions are in mm.

All units comply with 2018 ErP requirements and are classified as Non Residential Ventilation Unit (NRVU) and Unidirectional ventilation Unit (UVU) with variable speed drive type. Etta Fans Limited has a policy of continuous product development and improvement and therefore reserves the right to supply products which may differ from those illustrated and described in this publication. Confirmation of dimensions and data will be supplied on request.

TRANSFORMER CONTROLLER

Accessories



- IP40 enclosure
- Five speed stepped control
- Illuminated on/off switch (single phase units only)
- Fitted Motor Protection type D MCB (single phase units only)
- Suitable for operating temperatures up to 40°C
- Ideal for environments where noise is a primary consideration as these controls do not create magnetic hum associated with some step-less forms of speed control

Features & Benefits

A range of transformer voltage controllers used to provide five speed step control of single phase or three phase motors where the peak current of the motor does not exceed the rating of the controller. Speed control is via selector switch. Single phase units are complete with illuminated on/off switch.

Single Phase 220V to 240V / 50Hz

Product Code	Max Peak Current Amps	Weight kg	IP Rating
149-TC14	4	4	IP40
149-TC110	10	7	IP40

Three Phase 380V to 415V / 50Hz

Product Code	Max Peak Current Amps	Weight kg	IP Rating
149-TC33	3	12	IP40
149-TC310	10	25	IP40

eltafans.com

EX-SMB-10-2021 Issue B



BS EN ISO 9001:2015 FM 556465

