



OZEO H ECOWATT 2

5209354100 - OZEO H ECOWATT 2 R8 - WHOLE HOUSE EXTRACT UNITS



Grupo de Ventilación Mecánica Controlada con motor EC de muy bajo consumo para sistema higrorregulable equipado con 6 toberas extraíbles para baños y aseos y una tobera d.125 para cocina. El cuerpo del equipo está fabricado en plástico PS. Montaje en falso techo, pared o colgado.

5209354100 - OZEO H ECOWATT 2 R8

Theoretical Working Point

Airflow	-
Static Pressure	0,000 Pa
Temperature	20 °C
Altitude	0 m
Density	1,2 kg/m ³
Frequency	50/60 Hz

Construction

Discharge diameter	160 mm
Blades	0
Weight	4,36 kg

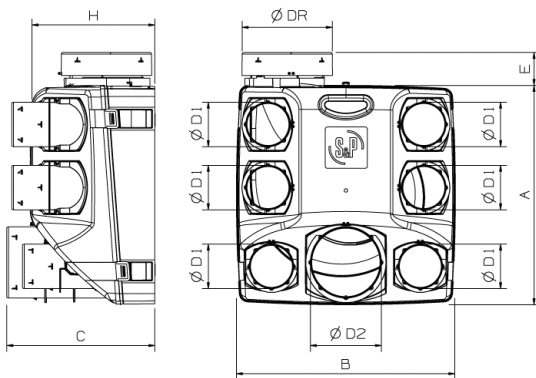
Motor Characteristics

Number of poles	4
Voltage	1-230V-50Hz
IP Rating	IPX2
Motor insulation class	B

Working Point

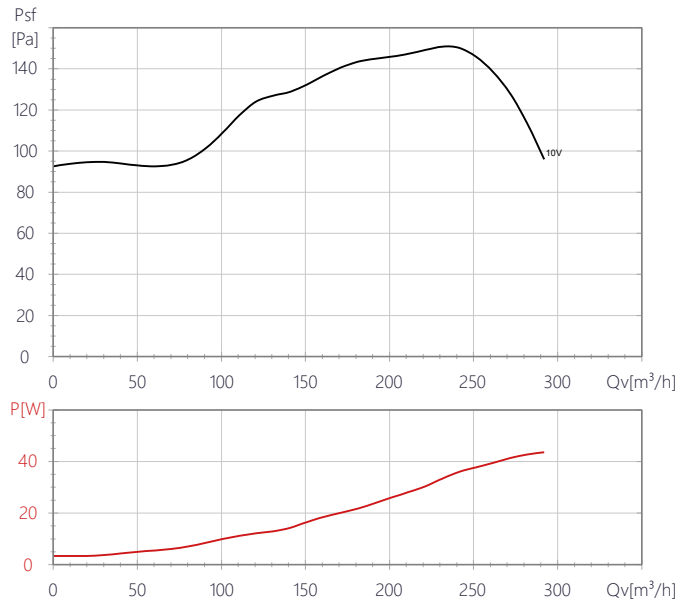
Fan speed	1450
-----------	------

Drawing (mm)



A	B	C	D1	D2	DR	E	H
438	438	239	80	125	160	57	217

Performance Chart



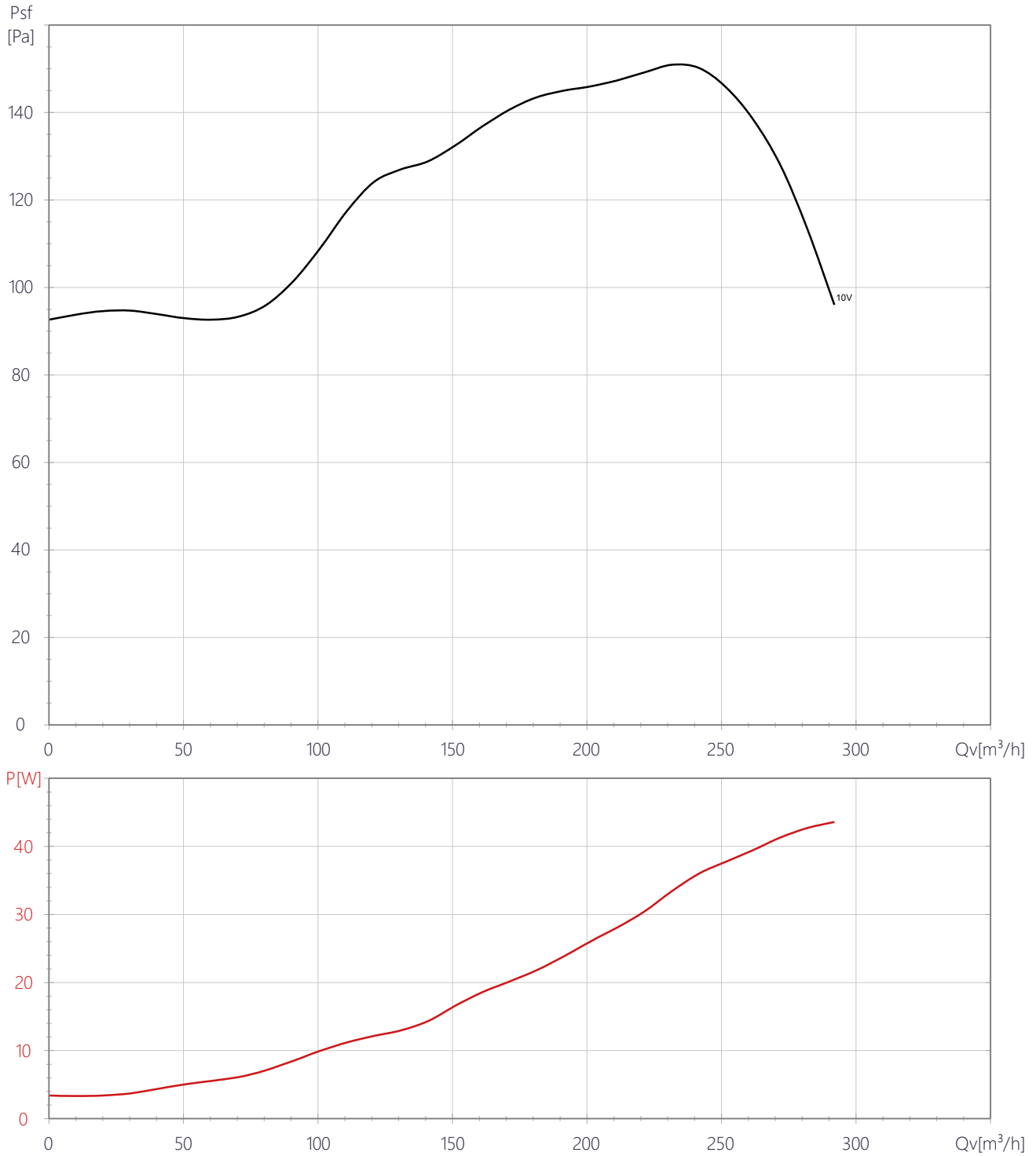


OZEO H ECOWATT 2

5209354100 - OZEO H ECOWATT 2 R8 - WHOLE HOUSE EXTRACT UNITS



Performance Chart

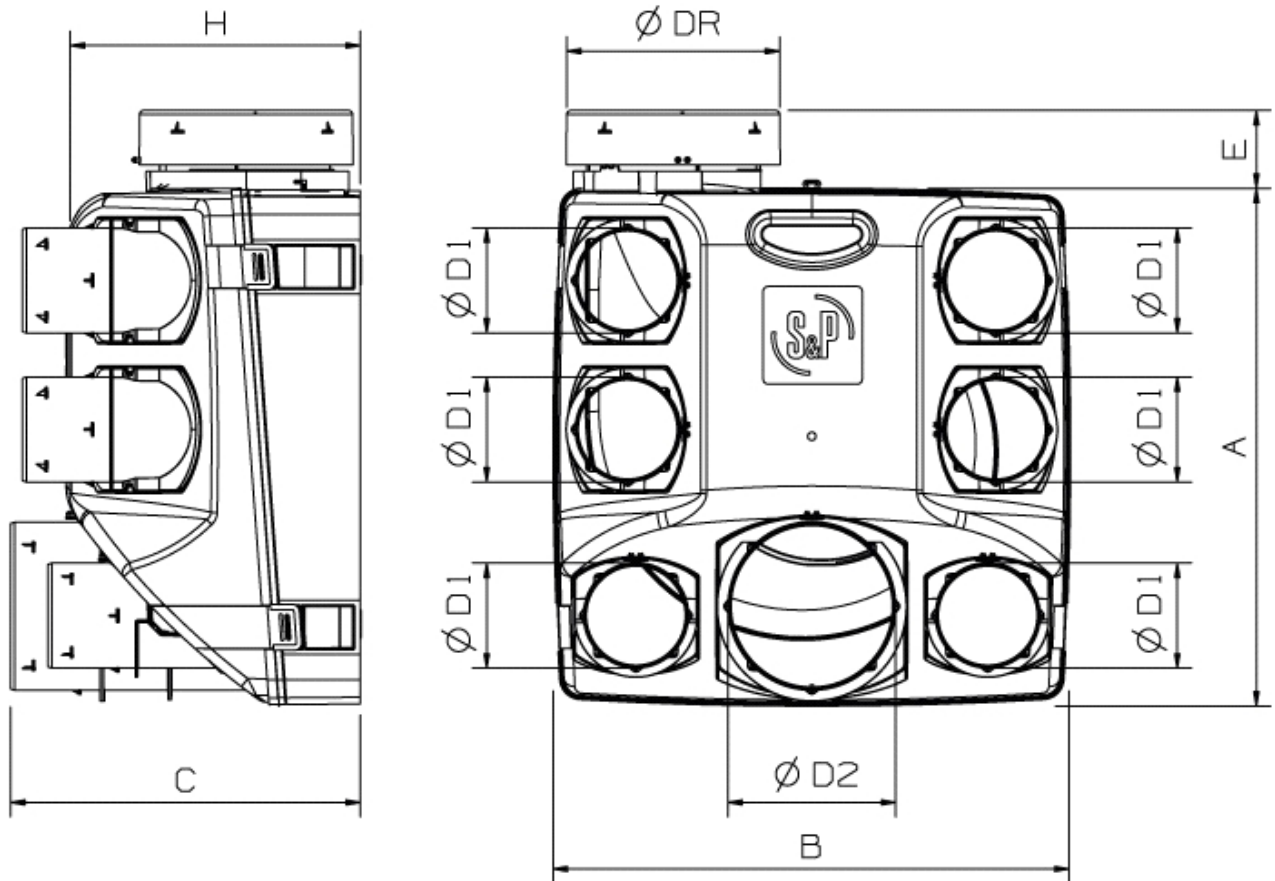




OZEO H ECOWATT 2

5209354100 - OZEO H ECOWATT 2 R8 - WHOLE HOUSE EXTRACT UNITS

Drawing (mm)



A	B	C	D1	D2	DR	E	H
438	438	239	80	125	160	57	217



OZEO H ECOWATT 2

5209354100 - OZEO H ECOWATT 2 R8 - WHOLE HOUSE EXTRACT UNITS

ErP Data

Ecodesign	
Commission regulation (EU) N°1253/2014 of July 2014	
Information requirements (Annex V)	
Product/Commercial	OZEO H ECOWATT 2 R8
Identifier	5209354100
SEC average climate (kWh/(m2.an))	-26,7
SEC class	B
SEC cold climate (kWh/(m2.an))	-53,8
SEC warm climate (kWh/(m2.an))	-11,2
Typology	RVU unidirectional
Type of drive	Variable speed drive
Type of HRC	None
Thermal efficiency (%)	0
Maximum flow rate (m3/h)	283
Electrical power input at maximum flow rate (W)	43
Sound power level (LWA)	51
Reference flow rate (m3/s)	0,055
Reference pressure difference (Pa)	142
SPI (W/m3/h)	0,121
Control factor	0,65
Control typology	Manual
Maximum internal leakage for BVU (%)	Not applicable
Maximum external leakage for BVU and UVU (%)	7
Mixing rate for BVU without duct connection (%)	Not applicable
Position of visual filter warning	Not applicable
description of visual filter warning	Not applicable
Instructions to install supply grilles	Not applicable
Instructions to install exhaust grilles	Not applicable
https://www.solerpalau.com/	
Airflow sensitivity to pressure variation	Not applicable
Indoor/outdoor air tightness (m3/h)	Not applicable
Annual electricity consumption - Average climate (kWh/a)	64
Annual electricity consumption - Warm climate (kWh/a)	64
Annual electricity consumption - Cold climate (kWh/a)	64
Annual heating saved - Average climate (kWh/a)	2830
Annual heating saved - Warm climate (kWh/a)	1280
Annual heating saved - Cold climate (kWh/a)	5536

