



QUIETFLOW TWIN SQTDCV

Centrifugal Twin Box Fan

QUIETFLOW TWIN SQTDCV

Product Overview

- 7 standard sizes from 125mm to 500mm
- Air volume flow rates up to 1.819 m³/s
- Static pressures up to 1029 Pa
- Suitable for operating temperatures up to +60°C
- Available in **EC**



Acoustically lined twin in-line centrifugal fans with demand control. Designed to monitor and control one or more fan units simultaneously, with 6 pre-programmed fan applications. Supplied Multi-function remote control panel with LCD display.

Low Noise

Each unit is acoustically lined internally with Class O rated (BS 476 Parts 6 and 7) fire resistant acoustic foam lining minimising breakout noise levels.

Easy Installation

New multi-mount brackets allow easy mounting in a range of orientations.

Easy Commissioning

Minimum and maximum ventilation rates as well as control settings can all be setup easily via the wall display provided. Settings can be loaded from one display copying settings between units quickly.

Space saving

Twin fan arrangement allows duty share and run and standby from one ventilation unit saving space compared to two separate units.

Efficient Performance

High efficiency low tonal noise backward curved centrifugal impellers are directly driven by EC external rotor motors, provide low specific fan powers and stepless speed control without tonal noise generation.

Weather Resistance

Units can be weatherproofed in the factory to allow external installation.

Controllability

Advanced control features from the Demand Control Ventilation or DCV, provide an effective, efficient control to meet variable occupancy. This optimises the indoor air quality and energy use of the ventilation system. Available control, humidity, temperature, presence, CO₂ and constant pressure.

Twin Fan Operation

Allowing control for auto changeover and duty share.

Warranty

Each SQTDCV has a 12 month warranty.

Construction

Constructed from a robust 1.2mm galvanised mild steel sheet casing. Each casing provides spigots to suit standard circular ducting. A removable lid is provided as standard to allow easy maintenance and cleaning.

Motors

Units have EC external rotor motors fitted as standard. The motors contain sealed for life bearings. Thermal Class of motors to THCL 130 or 155 dependent on size. All motors are suitable for use in ambient air conditions up to +60°C.

Impellers

High efficiency low tonal noise backward curved centrifugal impellers, dynamically balanced to ISO 14694 Grade G6.3 and directly driven by the motors to provide a smooth airflow through the unit.

Contents

Page	Information
3	Performance Range Curves
4	Performance, SFP & Electrical Data
8	Sound Data
11	Dimensional Data
12	EcoDesign 1253/2014
13	Accessories

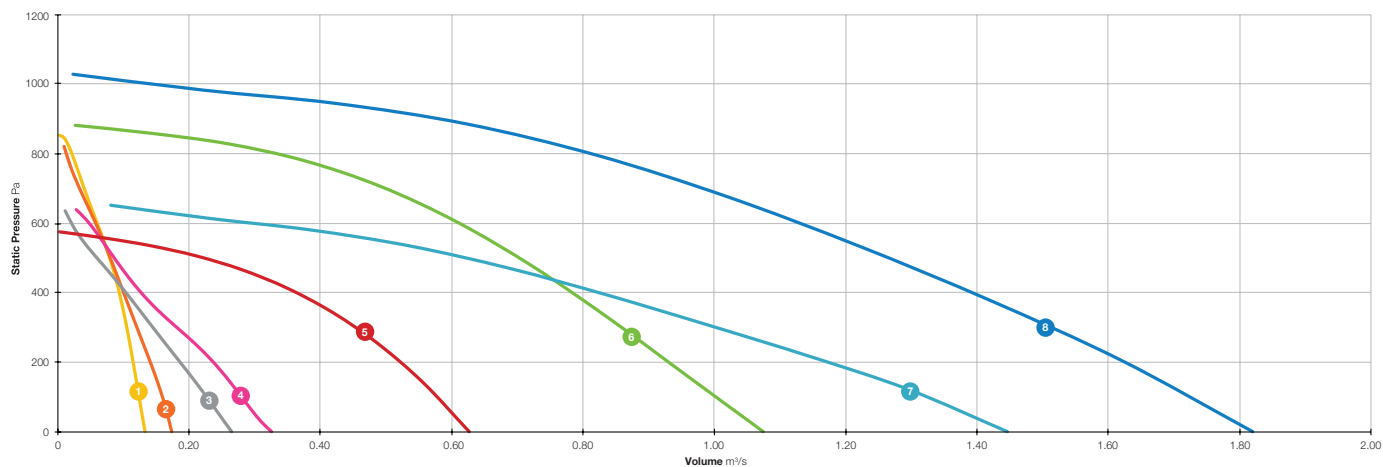
Product Coding

Code	Reference
SQTDCV	Product Range
125	Diameter (125/150/200...)
-	
1	Voltage Supply (Single Phase / Three Phase)
EC	Motor Type (AC/EC)
A - Z	Additional Coding (A - Z) Product Variants
e.g.	SQTDCV125 / 1ECL

QUIETFLOW TWIN SQTDCV



Performance Range Curves



- 1 SQTDCV125 / 1ECL
- 2 SQTDCV150 / 1ECL
- 3 SQTDCV200 / 1ECL

- 4 SQTDCV250 / 1ECL
- 5 SQTDCV315 / 1ECL
- 6 SQTDCV400 / 1ECL

- 7 SQTDCV500 / 1ECL
- 8 SQTDCV500 / 3ECL

QUIETFLOW TWIN SQTDCV



Performance, SFP & Electrical Data

Single Phase 220V to 277V / 50Hz or 60Hz

Product Code	Control Voltage V	Speed r/min	Airflow SFP	Airflow m ³ /s @ Static Pressure Pa												At Best Efficiency Point		Electrical Data	dBA @ 3m	
				0	25	50	75	100	150	200	250	300	350	400	500	Overall Eff %	Input kW	Peak Amps		
SQTDCV125-1ECL	10	4345	m ³ /s	0.132	0.130	0.127	0.125	0.123	0.118	0.114	0.109	0.104	0.099	0.093	0.078	26.8	0.168	1.41	Inlet	50
			W/(L/s)	1.26	1.28	1.31	1.33	1.35	1.40	1.46	1.52	1.60	1.68	1.79	2.13				Outlet	52
			Breakout	42																
	8	4185	m ³ /s	0.118	0.115	0.113	0.110	0.108	0.103	0.099	0.094	0.089	0.083	0.076	0.055	22.3	0.159	1.34	Inlet	48
			W/(L/s)	1.34	1.37	1.40	1.43	1.46	1.53	1.60	1.68	1.79	1.91	2.07	2.81				Outlet	48
			Breakout	42																
	5	2505	m ³ /s	0.070	0.066	0.062	0.058	0.053	0.039	0.012	-	-	-	-	-	21.0	0.034	0.34	Inlet	40
			W/(L/s)	0.49	0.52	0.55	0.60	0.65	0.85	2.40	-	-	-	-	-				Outlet	38
			Breakout	42																
	2	805	m ³ /s	0.022	-	-	-	-	-	-	-	-	-	-	-	4.2	0.004	0.06	Inlet	-
			W/(L/s)	0.20	-	-	-	-	-	-	-	-	-	-	-				Outlet	-
			Breakout	-																
SQTDCV150-1ECL	10	3840	m ³ /s	0.174	0.170	0.167	0.163	0.159	0.151	0.141	0.131	0.121	0.110	0.100	0.080	27.5	0.170	1.28	Inlet	50
			W/(L/s)	0.97	0.99	1.01	1.04	1.06	1.13	1.20	1.30	1.41	1.53	1.68	2.11				Outlet	50
			Breakout	43																
	8	3820	m ³ /s	0.169	0.166	0.163	0.159	0.155	0.147	0.138	0.128	0.119	0.108	0.098	0.075	27.0	0.167	1.27	Inlet	47
			W/(L/s)	0.93	0.95	0.97	0.99	1.02	1.08	1.17	1.27	1.39	1.53	1.70	2.19				Outlet	50
			Breakout	43																
	5	2260	m ³ /s	0.103	0.094	0.087	0.080	0.073	0.058	0.034	-	-	-	-	-	26.6	0.039	0.29	Inlet	38
			W/(L/s)	0.38	0.39	0.43	0.47	0.53	0.67	1.08	-	-	-	-	-				Outlet	43
			Breakout	43																
	2	725	m ³ /s	0.031	-	-	-	-	-	-	-	-	-	-	-	0.0	0.001	0.32	Inlet	-
			W/(L/s)	0.12	-	-	-	-	-	-	-	-	-	-	-				Outlet	-
			Breakout	-																
SQTDCV200-1ECL	10	3235	m ³ /s	0.264	0.254	0.245	0.235	0.226	0.206	0.185	0.165	0.144	0.124	0.103	0.059	29.2	0.171	1.64	Inlet	54
			W/(L/s)	0.65	0.67	0.70	0.72	0.76	0.83	0.92	1.03	1.18	1.37	1.65	2.87				Outlet	54
			Breakout	48																
	8	2960	m ³ /s	0.226	0.219	0.211	0.204	0.196	0.178	0.158	0.134	0.108	0.083	0.061	-	29.0	0.134	1.31	Inlet	50
			W/(L/s)	0.51	0.54	0.57	0.60	0.63	0.72	0.83	0.99	1.23	1.56	2.06	-				Outlet	51
			Breakout	45																
	5	1765	m ³ /s	0.134	0.119	0.104	0.087	0.065	-	-	-	-	-	-	-	24.6	0.033	0.34	Inlet	40
			W/(L/s)	0.21	0.25	0.30	0.37	0.49	-	-	-	-	-	-	-				Outlet	41
			Breakout	35																
	2	565	m ³ /s	0.040	-	-	-	-	-	-	-	-	-	-	-	3.1	0.004	0.06	Inlet	-
			W/(L/s)	0.10	-	-	-	-	-	-	-	-	-	-	-				Outlet	-
			Breakout	-																

Data provided is at standard air density of 1.2 kg/m³.

Data in accordance with ErP 1253/2014 of the European Parliament. Product category is NRVU. Measurement category used to determine energy efficiency: D.

A variable speed drive is integrated within the fan.

Peak Amps @ 230V / 1PH / 50Hz.

The overall A-weighted sound pressure level is at a distance of 3m with spherical free-field propagation. It is expressed in dB re-20μPa and is presented for comparative purposes only.

QUIETFLOW TWIN SQTDCV



Performance, SFP & Electrical Data

Single Phase 220V to 277V / 50Hz or 60Hz

Product Code	Control Voltage V	Speed r/min	Airflow SFP	Airflow m ³ /s @ Static Pressure Pa												At Best Efficiency Point		Electrical Data	dBA @ 3m	
				0	25	50	75	100	150	200	250	300	350	400	500	Overall Eff %	Input kW	Peak Amps		
SQTDCV250-1ECL	10	2440	m ³ /s	0.325	0.311	0.300	0.289	0.279	0.259	0.236	0.210	0.181	0.152	0.127	0.086	36.4	0.170	1.64	Inlet	50
			W/(L/s)	0.52	0.55	0.57	0.59	0.61	0.66	0.72	0.81	0.94	1.12	1.34	1.97				Outlet	50
			Breakout	44																
	8	2445	m ³ /s	0.327	0.315	0.303	0.292	0.282	0.260	0.237	0.213	0.186	0.158	0.129	0.073	33.0	0.170	1.64	Inlet	47
			W/(L/s)	0.52	0.54	0.56	0.58	0.60	0.65	0.72	0.80	0.91	1.08	1.32	2.30				Outlet	48
			Breakout	42																
	5	1550	m ³ /s	0.201	0.174	0.154	0.136	0.119	0.078	-	-	-	-	-	-	27.8	0.044	0.49	Inlet	36
			W/(L/s)	0.21	0.25	0.29	0.34	0.39	0.55	-	-	-	-	-	-				Outlet	35
			Breakout	27																
	2	495	m ³ /s	0.061	-	-	-	-	-	-	-	-	-	-	-	6.2	0.004	0.06	Inlet	20
			W/(L/s)	0.07	-	-	-	-	-	-	-	-	-	-	-				Outlet	20
			Breakout	20																
SQTDCV315-1ECL	10	2011	m ³ /s	0.625	0.614	0.602	0.590	0.577	0.550	0.521	0.489	0.453	0.411	0.362	0.220	40.7	0.428	1.96	Inlet	51
			W/(L/s)	0.61	0.63	0.65	0.67	0.69	0.74	0.79	0.85	0.92	0.99	1.10	1.55				Outlet	51
			Breakout	47																
	8	1600	m ³ /s	0.493	0.480	0.465	0.450	0.434	0.397	0.352	0.294	0.207	0.038	-	-	41.5	0.217	1.04	Inlet	43
			W/(L/s)	0.41	0.42	0.44	0.46	0.49	0.54	0.61	0.71	0.93	3.71	-	-				Outlet	43
			Breakout	40																
	5	967	m ³ /s	0.296	0.272	0.243	0.207	0.152	-	-	-	-	-	-	-	32.7	0.061	0.32	Inlet	36
			W/(L/s)	0.20	0.22	0.25	0.29	0.38	-	-	-	-	-	-	-				Outlet	32
			Breakout	28																
	2	329	m ³ /s	0.097	-	-	-	-	-	-	-	-	-	-	-	4.8	0.015	0.11	Inlet	20
			W/(L/s)	0.16	-	-	-	-	-	-	-	-	-	-	-				Outlet	20
			Breakout	20																
SQTDCV400-1ECL	10	2201	m ³ /s	1.074	1.055	1.037	1.019	1.001	0.965	0.930	0.894	0.858	0.821	0.783	0.702	45.8	0.914	4.25	Inlet	58
			W/(L/s)	0.80	0.82	0.83	0.85	0.87	0.90	0.94	0.98	1.02	1.07	1.12	1.25				Outlet	57
			Breakout	53																
	8	1769	m ³ /s	0.844	0.819	0.795	0.772	0.751	0.709	0.668	0.626	0.582	0.535	0.481	0.317	46.4	0.491	2.33	Inlet	51
			W/(L/s)	0.54	0.56	0.58	0.60	0.61	0.65	0.70	0.75	0.81	0.88	0.98	1.41				Outlet	52
			Breakout	47																
	5	1063	m ³ /s	0.514	0.481	0.446	0.408	0.365	0.259	0.035	-	-	-	-	-	36.3	0.139	0.64	Inlet	40
			W/(L/s)	0.24	0.27	0.29	0.32	0.36	0.49	2.70	-	-	-	-	-				Outlet	41
			Breakout	34																
	2	356	m ³ /s	0.172	-	-	-	-	-	-	-	-	-	-	-	21.1	0.034	0.20	Inlet	20
			W/(L/s)	0.04	-	-	-	-	-	-	-	-	-	-	-				Outlet	20
			Breakout	20																

Data provided is at standard air density of 1.2 kg/m³.

Data in accordance with ErP 1253/2014 of the European Parliament. Product category is NRVU. Measurement category used to determine energy efficiency: D.

A variable speed drive is integrated within the fan.

Peak Amps @ 230V / 1PH / 50Hz.

The overall A-weighted sound pressure level is at a distance of 3m with spherical free-field propagation. It is expressed in dB re-20μPa and is presented for comparative purposes only.

QUIETFLOW TWIN SQTDCV



Performance, SFP & Electrical Data

Single Phase 220V to 277V / 50Hz or 60Hz

Product Code	Control Voltage V	Speed r/min	Airflow SFP	Airflow m ³ /s @ Static Pressure Pa												At Best Efficiency Point		Electrical Data	dBA @ 3m	
				0	25	50	75	100	150	200	250	300	350	400	500	Overall Eff %	Input kW	Peak Amps		
SQTDCV500-1ECL	10	2201	m ³ /s	1.445	1.419	1.390	1.359	1.325	1.252	1.172	1.088	1.001	0.914	0.823	0.621	48.1	0.774	3.50	Inlet	51
			W/(L/s)	0.49	0.50	0.52	0.53	0.55	0.60	0.65	0.70	0.77	0.84	0.92	1.17				Outlet	51
			Breakout	50																
	8	1158	m ³ /s	1.184	1.127	1.076	1.028	0.981	0.890	0.797	0.697	0.584	0.441	0.205	-	50.0	0.435	1.99	Inlet	45
			W/(L/s)	0.33	0.34	0.36	0.38	0.40	0.45	0.50	0.58	0.69	0.90	1.72	-				Outlet	47
			Breakout	44																
	5	695	m ³ /s	0.696	0.631	0.559	0.477	0.378	-	-	-	-	-	-	-	42.2	0.109	0.52	Inlet	32
			W/(L/s)	0.14	0.16	0.19	0.22	0.28	-	-	-	-	-	-	-				Outlet	32
			Breakout	30																
	2	233	m ³ /s	0.235	-	-	-	-	-	-	-	-	-	-	-	39.0	0.005	0.19	Inlet	20
			W/(L/s)	0.02	-	-	-	-	-	-	-	-	-	-	-				Outlet	20
			Breakout	20																

Data provided is at standard air density of 1.2 kg/m³.

Data in accordance with ErP 1253/2014 of the European Parliament. Product category is NRVU. Measurement category used to determine energy efficiency: D.

A variable speed drive is integrated within the fan.

Peak Amps @ 230V / 1PH / 50Hz.

The overall A-weighted sound pressure level is at a distance of 3m with spherical free-field propagation. It is expressed in dB re-20μPa and is presented for comparative purposes only.

QUIETFLOW TWIN SQTDCV



Performance, SFP & Electrical Data

Three Phase 380V to 480V / 50Hz or 60Hz

Product Code	Control Voltage V	Speed r/min	Airflow SFP	Airflow m³/s @ Static Pressure Pa												At Best Efficiency Point		Electrical Data	dBA @ 3m	
				0	25	50	75	100	150	200	250	300	350	400	500	Overall Eff %	Input kW	Peak Amps		
SQTDCV500-3ECL	10	1800	m³/s	1.819	1.797	1.744	1.751	1.727	1.677	1.625	1.570	1.512	1.453	1.392	1.265	50.6	1.482	2.29	Inlet	58
			W/(L/s)	0.76	0.77	0.79	0.80	0.82	0.85	0.88	0.92	0.97	1.01	1.06	1.17				Outlet	58
																			Breakout	56
	8	1451	m³/s	1.480	1.443	1.407	1.373	1.340	1.274	1.208	1.141	1.072	0.997	0.916	0.710	52.5	0.806	1.32	Inlet	51
			W/(L/s)	0.48	0.50	0.52	0.54	0.56	0.60	0.64	0.69	0.74	0.80	0.87	1.10				Outlet	52
																			Breakout	50
	5	871	m³/s	0.875	0.827	0.775	0.719	0.656	0.505	0.292	-	-	-	-	-	47.1	0.192	0.47	Inlet	37
			W/(L/s)	0.20	0.22	0.24	0.26	0.29	0.37	0.58	-	-	-	-	-				Outlet	38
																			Breakout	36
	2	292	m³/s	0.304	-	-	-	-	-	-	-	-	-	-	-	14.8	0.025	0.16	Inlet	20
			W/(L/s)	0.08	-	-	-	-	-	-	-	-	-	-	-				Outlet	20
																			Breakout	20

Data provided is at standard air density of 1.2 kg/m³.

Data in accordance with ErP 1253/2014 of the European Parliament. Product category is NRVU. Measurement category used to determine energy efficiency: D.

A variable speed drive is integrated within the fan.

Peak Amps @ 400V / 3PH / 50Hz.

The overall A-weighted sound pressure level is at a distance of 3m with spherical free-field propagation. It is expressed in dB re-20µPa and is presented for comparative purposes only.

QUIETFLOW TWIN SQTDCV



Sound Data

Single Phase 220V to 277V / 50Hz or 60Hz

Product Code	Control Voltage V		Sound Power Level dBW @ Octave Band Hz								Total dB
			63Hz	125Hz	250Hz	500Hz	1kHz	2kHz	4kHz	8kHz	
SQTDCV125-1ECL	10	Inlet	82	74	74	71	58	52	47	49	83
		Outlet	80	75	78	70	64	53	49	49	83
		Breakout	54	58	64	62	57	51	43	40	68
	8	Inlet	76	74	73	68	54	50	45	46	80
		Outlet	77	73	73	69	58	50	47	46	80
		Breakout	54	58	64	62	57	51	43	40	68
	5	Inlet	64	67	68	57	41	40	33	29	72
		Outlet	67	64	66	52	44	38	34	29	71
		Breakout	54	58	64	62	57	51	43	40	68
SQTDCV150-1ECL	10	Inlet	85	74	73	71	58	54	51	52	86
		Outlet	84	77	75	69	62	54	52	53	85
		Breakout	59	60	66	63	57	51	46	45	69
	8	Inlet	73	72	72	67	55	52	48	49	78
		Outlet	80	76	77	67	59	51	50	50	83
		Breakout	59	60	66	63	57	51	46	45	69
	5	Inlet	66	65	64	57	43	42	39	31	70
		Outlet	70	68	72	54	47	41	42	36	75
		Breakout	59	60	66	63	57	51	46	45	69
SQTDCV200-1ECL	10	Inlet	80	77	79	75	63	59	56	55	84
		Outlet	87	83	79	73	64	58	55	55	89
		Breakout	63	66	70	69	62	57	50	41	74
	8	Inlet	77	73	74	70	59	55	53	51	80
		Outlet	83	80	76	70	60	55	53	52	85
		Breakout	61	64	69	65	59	53	47	39	72
	5	Inlet	64	67	65	60	46	44	40	38	71
		Outlet	73	72	68	55	45	42	39	35	76
		Breakout	49	59	59	55	46	42	35	29	63
SQTDCV250-1ECL	10	Inlet	78	73	75	70	59	54	53	51	81
		Outlet	79	75	77	67	60	57	53	51	82
		Breakout	60	63	71	63	56	49	42	37	73
	8	Inlet	75	70	73	66	55	49	48	47	78
		Outlet	76	73	76	62	56	52	49	47	80
		Breakout	58	60	69	60	52	44	37	33	70
	5	Inlet	67	67	58	55	43	37	38	28	70
		Outlet	67	68	57	50	44	39	38	32	71
		Breakout	47	55	50	48	39	32	24	20	57

Data provided at standard air density of 1.2 Kg/m³.
Tests and preparation of the sound data have been carried out in accordance with BS 848 Part 2:1985 at 50% peak pressure.
The Sound Power Level Spectra are in dB re-1pW.

QUIETFLOW TWIN SQTDCV



Sound Data

Single Phase 220V to 277V / 50Hz or 60Hz

Product Code	Control Voltage V		Sound Power Level dBW @ Octave Band Hz								Total dB
			63Hz	125Hz	250Hz	500Hz	1kHz	2kHz	4kHz	8kHz	
SQTDCV315-1ECL	10	Inlet	75	73	78	69	53	55	50	48	81
		Outlet	77	74	77	70	59	55	52	49	81
		Breakout	66	67	74	65	58	52	46	40	76
	8	Inlet	70	74	68	59	47	49	44	40	76
		Outlet	72	76	63	61	53	49	46	42	78
		Breakout	61	69	64	59	52	46	39	34	71
	5	Inlet	63	71	58	45	35	36	30	17	72
		Outlet	63	67	51	46	40	36	30	17	69
		Breakout	51	58	55	44	38	32	25	19	60
SQTDCV400-1ECL	10	Inlet	81	77	87	71	66	62	59	58	88
		Outlet	82	78	80	77	69	65	62	59	86
		Breakout	73	72	79	71	67	61	54	47	81
	8	Inlet	77	79	78	67	59	56	53	50	83
		Outlet	79	79	77	72	63	58	56	52	84
		Breakout	67	71	73	65	60	54	48	42	76
	5	Inlet	67	75	63	51	44	44	40	29	76
		Outlet	69	76	59	55	48	46	41	33	77
		Breakout	58	65	58	50	46	42	35	28	67
SQTDCV500-1ECL	10	Inlet	77	84	75	64	59	57	53	52	85
		Outlet	78	82	73	71	62	57	54	50	84
		Breakout	73	79	73	69	61	54	47	42	81
	8	Inlet	74	77	71	59	53	50	48	48	79
		Outlet	75	80	67	65	56	51	49	44	81
		Breakout	69	75	67	63	56	48	41	37	77
	5	Inlet	71	63	58	45	38	37	35	26	72
		Outlet	72	62	53	51	41	37	34	25	72
		Breakout	64	59	54	49	42	35	24	21	66

Data provided at standard air density of 1.2 Kg/m³.
 Tests and preparation of the sound data have been carried out in accordance with BS 848 Part 2:1985 at 50% peak pressure.
 The Sound Power Level Spectra are in dB re-1pW.

QUIETFLOW TWIN SQTDCV



Sound Data

Three Phase 380V to 480V / 50Hz or 60Hz

Product Code	Control Voltage V		Sound Power Level dBW @ Octave Band Hz							Total dB	
			63Hz	125Hz	250Hz	500Hz	1kHz	2kHz	4kHz		8kHz
SQTDCV500-3ECL	10	Inlet	81	84	86	72	66	65	62	56	89
		Outlet	82	83	83	77	69	65	62	56	88
		Breakout	77	80	81	75	68	61	54	49	85
	8	Inlet	77	84	76	65	59	57	52	51	85
		Outlet	78	82	74	71	62	57	55	50	84
		Breakout	73	78	74	69	61	54	48	43	81
	5	Inlet	72	68	63	51	44	46	41	35	74
		Outlet	73	69	59	56	47	44	41	32	75
		Breakout	65	64	60	55	47	43	36	29	68

Data provided at standard air density of 1.2 kg/m³.
Tests and preparation of the sound data have been carried out in accordance with BS 848 Part 2:1985 at 50% peak pressure.
The Sound Power Level Spectra are in dB re-1pW.

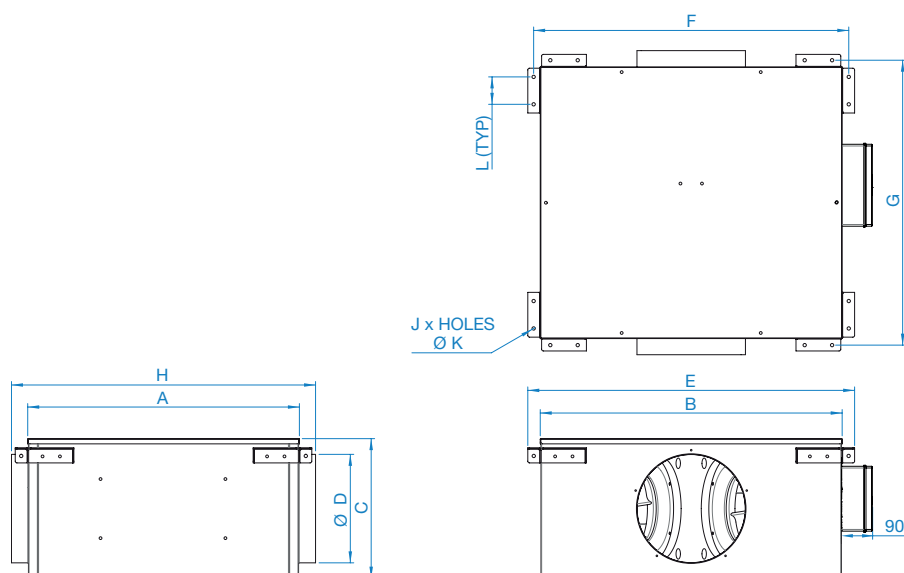
QUIETFLOW TWIN SQTDCV



Dimensional Data

Single & Three Phase

Product Code	A	B	C	D	E	F	G	H	J	K	Weight kg
SQTDCV125-1ECL	592	553	261	125	594	574	614	687	16	8	26
SQTDCV150-1ECL	592	553	261	150	594	574	614	687	16	8	26
SQTDCV200-1ECL	633	654	302	200	694	653	675	726	16	8	33
SQTDCV250-1ECL	633	654	332	250	694	653	675	726	16	8	34
SQTDCV315-1ECL	781	868	401	315	940	906	819	875	16	8	56
SQTDCV400-1ECL	883	1024	473	400	1094	1060	920	975	16	10	82
SQTDCV500-1ECL	1019	1258	602	500	1328	1294	1058	1113	16	10	128
SQTDCV500-3ECL	1019	1258	602	500	1328	1294	1058	1113	16	10	128



Dimensions are in mm.

QUIETFLOW TWIN SQTDCV



EcoDesign 1253/2014 - Information Requirements

REV2 01/05/2018

A	B	C*			D	E	F	G	H	I	J	K	L	N	O	P	Q	R	S
		C.1	C.2	C.3															
Elta Fans Ltd	SQTDCV125-1ECL	NRVU	UVU	2018	Variable-Speed	None	n/a	0.040	0.034	n/a	3.26	145	n/a	21.0	<2.5	n/a	n/a	63	www.eltafans.com
Elta Fans Ltd	SQTDCV150-1ECL	NRVU	UVU	2018	Variable-Speed	None	n/a	0.060	0.039	n/a	3.40	158	n/a	26.6	<2.5	n/a	n/a	64	www.eltafans.com
Elta Fans Ltd	SQTDCV200-1ECL	NRVU	UVU	2018	Variable-Speed	None	n/a	0.080	0.033	n/a	2.55	87	n/a	24.6	<2.5	n/a	n/a	69	www.eltafans.com
Elta Fans Ltd	SQTDCV250-1ECL	NRVU	UVU	2018	Variable-Speed	None	n/a	0.180	0.170	n/a	3.67	300	n/a	36.4	<2.5	n/a	n/a	65	www.eltafans.com
Elta Fans Ltd	SQTDCV315-1ECL	NRVU	UVU	2018	Variable-Speed	None	n/a	0.359	0.397	n/a	4.6	404	n/a	40.7	<2.5	n/a	n/a	51	www.eltafans.com
Elta Fans Ltd	SQTDCV400-1ECL	NRVU	UVU	2018	Variable-Speed	None	n/a	0.608	0.874	n/a	4.84	603	n/a	45.8	<2.5	n/a	n/a	58	www.eltafans.com
Elta Fans Ltd	SQTDCV500-1ECL	NRVU	UVU	2018	Variable-Speed	None	n/a	0.768	0.753	n/a	3.91	430	n/a	48.1	<2.5	n/a	n/a	51	www.eltafans.com
Elta Fans Ltd	SQTDCV500-3ECL	NRVU	UVU	2018	Variable-Speed	None	n/a	1.007	1.466	n/a	5.13	685	n/a	50.6	<2.5	n/a	n/a	58	www.eltafans.com

- A** Manufacturer's Name
- B** Model Identifier
- C.1** RVU or NRVU
- C.2** UVU or BVU
- C.3** ErP Compliance
- D** Type of Drive (MSD or VSD)
- E** Type of HRS (Run Around or Other or None)
- F** Thermal Efficiency (% or N/A)
- G** Nominal Flow Rate (m³/s)
- H** Effective Electrical Power Input (kW)
- I** SFP Int (W/m³/s)
- J** Face Velocity (m/s)
- K** Nominal External Pressure (Pa)
- L** Internal Pressure Drop of Ventilation Components (Pa)
- N** Static Efficiency of Fan Used 327/2011
- O** Maximum External Leakage Rate (%)
- P** Energy Classification of Filters
- Q** Description of Visual Filter warning
- R** Casing Sound Power Level (LWA)
- S** Website for Disassembly Instructions

* Declared Typology C

QUIETFLOW TWIN SQTDCV



Accessories

Single Phase

Product Code	Box Fan AV Mounts (set of 4)*	Box Fan Flexible Connectors (each)	DCV LCD Display	Electric Heater Battery	Fast Clamps (each)	Panel Filter
SQTDCV125-1ECL	062-SEL03	018-0125-FLEX	149-DCV-MK3-CTRL	018-CV12-12-1M	018-125-CLAMP	018-0125-FILT-P
SQTDCV150-1ECL	062-SEL03	018-0150-FLEX	149-DCV-MK3-CTRL	018-CV15-27-1M	018-150-CLAMP	018-0150-FILT-P
SQTDCV200-1ECL	062-SEL03	018-0200-FLEX	149-DCV-MK3-CTRL	018-CV20-30-1M	018-200-CLAMP	018-0200-FILT-P
SQTDCV250-1ECL	062-SEL03	018-0250-FLEX	149-DCV-MK3-CTRL	018-CV25-30-1M	018-250-CLAMP	018-0250-FILT-P
SQTDCV315-1ECL	062-SEL03	018-0315-FLEX	149-DCV-MK3-CTRL	018-CV31-30-1M	018-315-CLAMP	018-0315-FILT-P
				018-CV31-45-1M		
				018-CV31-90-3M		
SQTDCV400-1ECL	062-SEL04	018-0400-FLEX	149-DCV-MK3-CTRL	018-CV40-90-3M	018-400-CLAMP	018-0400-FILT-P
				018-CV40-120-3E		
SQTDCV500-1ECL	062-SEL05	018-0500-FLEX	149-DCV-MK3-CTRL	-	018-500-CLAMP	018-0500-FILT-P

Product Code	Spigot Silencer 300mm Long	Spigot Silencer 600mm Long	Spigot Silencer 900mm Long	Spigot Silencer 1200mm Long	Wiring Diagram
SQTDCV125-1ECL	068-0125-JF1	068-0125-JF2	068-0125-JF3	068-0125-JF4	152-709
SQTDCV150-1ECL	068-0150-JF1	068-0150-JF2	068-0150-JF3	068-0150-JF4	152-709
SQTDCV200-1ECL	068-0200-JF1	068-0200-JF2	068-0200-JF3	068-0200-JF4	152-709
SQTDCV250-1ECL	068-0250-JF1	068-0250-JF2	068-0250-JF3	068-0250-JF4	152-709
SQTDCV315-1ECL	068-0315-JF1	068-0315-JF2	068-0315-JF3	068-0315-JF4	152-709
SQTDCV400-1ECL	068-0400-JF1	068-0400-JF2	068-0400-JF3	068-0400-JF4	152-709
SQTDCV500-1ECL	068-0500-JF1	068-0500-JF2	068-0500-JF3	068-0500-JF4	152-709

Three Phase

Product Code	Box Fan AV Mounts (set of 4)*	Box Fan Flexible Connectors (each)	DCV LCD Display	Electric Heater Battery	Fast Clamps (each)	Panel Filter
SQTDCV500-3ECL	062-SEL05	018-0500-FLEX	149-DCV-MK3-CTRL	-	018-500-CLAMP	018-0500-FILT-P

Product Code	Spigot Silencer 300mm Long	Spigot Silencer 600mm Long	Spigot Silencer 900mm Long	Spigot Silencer 1200mm Long	Wiring Diagram
SQTDCV500-3ECL	068-0500-JF1	068-0500-JF2	068-0500-JF3	068-0500-JF4	152-709

DCV Accessories

DCV Accessories	CO ₂ Transmitter	Humidity Transmitter	Presence Detector	Pressure Transmitter	Room Humidistat	Temperature Transmitter
All DCV products	149-DCV-CO2	149-DCV-HRT	149-DCV-PIR	149-DCV-DPT150	149-DCV-H1	149-DCV-TRT

*Supplied as a single mount.