

RE 1,5 SPEED CONTROL

Item no. 5000

Document type: **Product card**

Document date: **2018-02-06**

Generated by: **Systemair Online Catalogue**

Description

Manual five-step transformer

A single-phase transformer which controls the fan speed by altering the supply voltage in five fixed steps. The steps are adjusted manually, using the control knob on the front of the unit. The transformer has 230V terminals for operating dampers, electric heater batteries or other external equipment. When the transformer knob is in position 0, the outlet has no current. The indicator lamp on the front shows that the transformer is in operation. The fuse may be reset from outside. The RE has a selfextinguishing thermoplastic casing.

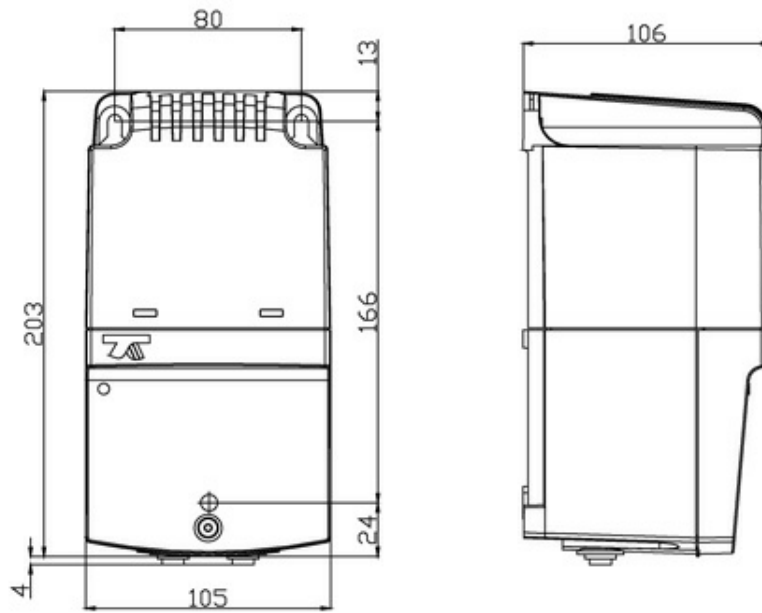
NOTE! Fans with external contact leads (TK) must always be connected to a motor protection device.



Technical parameters

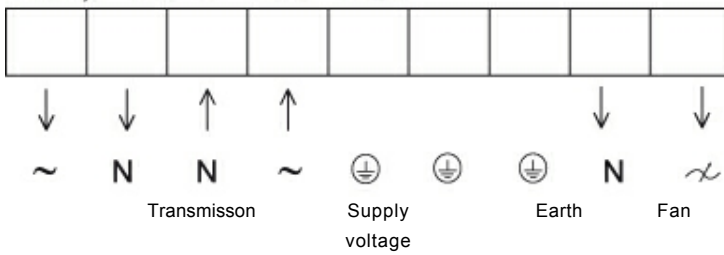
Voltage	230	V
Phase	1	~
Frequency	50/60	Hz
Current	1.5	A
Enclosure class	54	IP
Width	105	mm
Height	200	mm
Depth	105	mm
Weight	1.5	kg

Dimensions



Wiring


RE 1,5 RE 3 RE 5 RE 7



Transmission: between ~ and N is always 230V when the transformer handle is in pos. 1-5

Transmission: between ~ and N is always 230V when the transformer handle is in pos. 1-5

Documentation

 RE RTRE REU_ IMO_ GB.pdf (245,21kB)

 Conformity decl. RE, REU, RTRE_GB_2014.pdf (29,41kB)