



# REVOLUTION SLC

## Long Cased Axial Flow Fan

For full detailed information on the following: **Sound Data, Accessories & Wiring Data** and **Optimum Energy Efficiency Point** please visit [eltaselect.com](http://eltaselect.com).

### QUICK FACTS

- ✓ 11 standard sizes from 315mm to 1000mm.
- ✓ Air volume flow rates up to 19.63 m<sup>3</sup>/s.
- ✓ Static pressures up to 994 Pa.
- ✓ Suitable for operating temperatures up to +54°C.
- ✓ Available in **AC**.

### CASING

The all metal fan casing provides a long lasting and robust construction. The units have been constructed from a single sheet of steel, with both motor and axial impeller mounted within the length of the unit casing.

All casing parts are heavy gauge mild steel sheet, roll formed and welded for added strength and durability, hot dip galvanised to BS EN ISO 1461:2009 after fabrication and drilled to BS ISO 6580:2005. The fans are suitable for external mounting as standard.

### IMPELLER

Adjustable pitch aerofoil impellers are provided with blades made from high quality pressure die cast aluminium (LM6), natural finish. Impellers are factory set at an angle to provide maximum performance. The hubs are manufactured from die cast aluminium alloy (LM24). Assembled impellers are to be dynamically balanced to ISO 14694 Grade G6.3.

### MOTORS

Motors are to be foot mounted totally enclosed metric type to IP55, with

sealed for life bearings, standard industrial paint finish and Class F insulation to EN 60034-5, suitable for operating temperatures up to +54°C. Motors are to be wired via a weatherproofed cable to an IP55 protected terminal box mounted on the outside of the unit casing.

### QUALITY MANAGEMENT

Units are to be designed and manufactured with procedures as defined in BS EN ISO 9001:2008. All SLC units are to be tested to ISO 5801:2007 (airside performance) and BS 848 Part 2:1985 (sound performance).

### ACCESSORIES

For full accessories & controls information please visit [eltaselect.com](http://eltaselect.com)



### TYPICAL APPLICATIONS

- Kitchen Canopy Systems
- Agriculture
- Sports Halls
- Industrial Units and Warehousing
- Factories
- Schools
- Air Conditioning Units
- Cooling Towers & Stations
- Marine
- Airports
- Hotels

Eltas Fans Limited has a policy of continuous product development and improvement and therefore reserves the right to supply products which may differ from those illustrated and described in this publication. Confirmation of dimensions and data will be supplied on request.

# REVOLUTION SLC

Performance, SFP & Electrical Data



SINGLE Phase - 220V to 240V / 50Hz

Product Code	Speed r/min	Airflow SFP	Airflow m³/s @ Static Pressure Pa.												Overall Efficiency %	FMEG N	Motor Electrical Data		dBA @ 3m	
			0	25	50	75	100	150	200	250	300	350	400	500			Peak Amps	Input kW		
SLC400/4-1AC	1435	m³/s	1.176	1.100	1.016	0.921	0.788								47.7	58	0.94	0.209	Inlet	51
		W/(L/s)	0.15	0.17	0.20	0.23	0.27												Outlet	52
SLC450/2-1AC	2815	m³/s	2.927	2.884	2.841	2.796	2.751	2.657	2.558	2.453	2.342	2.225	2.105	1.852	53.6	58	8.80	2.050	Inlet	71
		W/(L/s)	0.49	0.51	0.54	0.57	0.59	0.65	0.70	0.76	0.82	0.88	0.94	1.10					Outlet	70
SLC450/4-1AC	1465	m³/s	1.683	1.609	1.530	1.432	1.325								49.6	58	1.73	0.397	Inlet	57
		W/(L/s)	0.20	0.22	0.24	0.27	0.30												Outlet	57
SLC500/4A-1AC	1460	m³/s	2.063	1.992	1.912	1.809	1.675	1.346							51.3	59	2.09	0.483	Inlet	53
		W/(L/s)	0.19	0.20	0.23	0.25	0.28	0.36											Outlet	53
SLC500/4B-1AC	1440	m³/s	2.574	2.483	2.391	2.283	2.141	1.760							52.2	59	3.24	0.702	Inlet	56
		W/(L/s)	0.25	0.27	0.28	0.30	0.33	0.40											Outlet	56
SLC560/4A-1AC	1415	m³/s	3.034	2.939	2.846	2.750	2.647	2.399	2.001						52.3	58	4.15	0.940	Inlet	60
		W/(L/s)	0.23	0.26	0.28	0.31	0.33	0.40	0.49										Outlet	59
SLC560/4B-1AC	1460	m³/s	3.279	3.232	3.175	3.107	3.022	2.790	2.486						52.5	58	5.50	1.225	Inlet	60
		W/(L/s)	0.31	0.32	0.34	0.36	0.38	0.43	0.50										Outlet	60
SLC630/4-1AC	1375	m³/s	4.033	3.880	3.719	3.546	3.355	2.892							52.1	58	4.99	1.120	Inlet	60
		W/(L/s)	0.25	0.27	0.28	0.31	0.33	0.39											Outlet	60
SLC630/4B-1AC	1455	m³/s	4.050	3.950	3.851	3.747	3.636	3.378	3.048	2.646					55.4	60	6.02	1.399	Inlet	61
		W/(L/s)	0.24	0.27	0.30	0.32	0.35	0.40	0.47	0.55									Outlet	61

Data in accordance with ErP 327/2011 of the European Parliament. Measurement category used to determine energy efficiency: D.

Data provided at standard air density of 1.2 kg/m³.

The overall A-weighted sound pressure level is at a distance of 3m with spherical free-field propagation. It is expressed in dB re-20µPa and is presented for comparative purposes only.

Elta Fans Limited has a policy of continuous product development and improvement and therefore reserves the right to supply products which may differ from those illustrated and described in this publication. Confirmation of dimensions and data will be supplied on request.

# REVOLUTION SLC

Performance, SFP & Electrical Data



THREE Phase - 380V to 415V / 50Hz

Product Code	Speed r/min	Airflow SFP	Airflow m³/s @ Static Pressure Pa.												Overall Efficiency %	FMEG N	Motor Electrical Data		dBA @ 3m		
			0	25	50	75	100	150	200	250	300	350	400	500			Peak Amps	Input kW			
SLC315/4-3AC	1435	m³/s	0.503	0.460	0.405	0.326										23.3	<125W	0.31	0.122	Inlet	51
		W/(L/s)	0.20	0.25	0.30	0.37															Outlet
SLC355/4-3AC	1435	m³/s	0.592	0.550	0.492											27.4	<125W	0.31	0.120	Inlet	44
		W/(L/s)	0.17	0.20	0.24																Outlet
SLC450/2A-3AC	2895	m³/s	2.758	2.732	2.705	2.678	2.651	2.596	2.538	2.479	2.416	2.349	2.278	2.116		54.1	58	4.56	2.490	Inlet	73
		W/(L/s)	0.59	0.61	0.63	0.65	0.68	0.72	0.77	0.82	0.87	0.93	0.99	1.12						Outlet	72
SLC450/4-3AC	1455	m³/s	1.942	1.847	1.751	1.647	1.533	1.278								49.8	58	0.97	0.491	Inlet	56
		W/(L/s)	0.22	0.25	0.27	0.30	0.32	0.38													Outlet
SLC500/2A-3AC	2920	m³/s	4.050	4.018	3.986	3.955	3.925	3.864	3.802	3.737	3.668	3.592	3.508	3.304		55.4	58	7.06	3.937	Inlet	70
		W/(L/s)	0.71	0.74	0.76	0.79	0.81	0.85	0.89	0.93	0.98	1.03	1.08	1.21						Outlet	69
SLC500/2B-3AC	2920	m³/s	4.508	4.482	4.455	4.426	4.397	4.334	4.268	4.200	4.130	4.058	3.983	3.822		56.2	58	8.89	5.192	Inlet	71
		W/(L/s)	0.91	0.92	0.94	0.96	0.98	1.02	1.06	1.10	1.14	1.18	1.23	1.32						Outlet	71
SLC500/4A-3AC	1435	m³/s	1.804	1.728	1.650	1.558	1.442	1.079								49.4	58	0.96	0.390	Inlet	53
		W/(L/s)	0.17	0.19	0.21	0.24	0.27	0.36													Outlet
SLC500/4B-3AC	1450	m³/s	2.243	2.196	2.141	2.075	1.999	1.788								51.1	58	1.47	0.689	Inlet	55
		W/(L/s)	0.24	0.26	0.28	0.30	0.33	0.39													Outlet
SLC560/2-3AC	2950	m³/s	6.701	6.645	6.591	6.538	6.486	6.382	6.274	6.163	6.046	5.925	5.799	5.545		58.9	59	13.90	8.420	Inlet	77
		W/(L/s)	0.96	0.98	1.00	4.02	1.05	1.09	1.13	1.18	1.23	1.28	1.33	1.44						Outlet	77
SLC560/4A-3AC	1450	m³/s	2.612	2.540	2.459	2.370	2.275	2.066	1.788							56.0	63	1.61	0.760	Inlet	59
		W/(L/s)	0.20	0.22	0.25	0.27	0.30	0.35	0.42												Outlet
SLC560/4B-3AC	1470	m³/s	3.536	3.431	3.322	3.208	3.089	2.833	2.547	2.167						54.3	60	2.36	1.240	Inlet	60
		W/(L/s)	0.27	0.29	0.32	0.34	0.37	0.43	0.49	0.57											Outlet
SLC560/4C-3AC	1460	m³/s	3.799	3.710	3.610	3.503	3.389	3.141	2.827	2.383						52.8	58	3.09	1.497	Inlet	60
		W/(L/s)	0.33	0.35	0.38	0.40	0.42	0.47	0.53	0.62											Outlet

Data in accordance with ErP 327/2011 of the European Parliament. Measurement category used to determine energy efficiency: D.

Data provided at standard air density of 1.2 kg/m³.

The overall A-weighted sound pressure level is at a distance of 3m with spherical free-field propagation. It is expressed in dB re-20µPa and is presented for comparative purposes only.

Elta Fans Limited has a policy of continuous product development and improvement and therefore reserves the right to supply products which may differ from those illustrated and described in this publication. Confirmation of dimensions and data will be supplied on request.

# REVOLUTION SLC

## Performance, SFP & Electrical Data



THREE Phase - 380V to 415V / 50Hz

Product Code	Speed r/min	Airflow SFP	Airflow m³/s @ Static Pressure Pa.												Overall Efficiency %	FMEG N	Motor Electrical Data			dBA @ 3m			
			0	25	50	75	100	150	200	250	300	350	400	500			Peak Amps	SC Amps	Input kW				
SLC630/4A-3AC	1475	m³/s	3.723	3.625	3.531	3.434	3.330	3.081	2.764	2.378							58.3	64	2.36	-	1.130	Inlet	64
		W/(L/s)	0.22	0.24	0.26	0.28	0.30	0.36	0.43	0.51													Outlet
SLC630/4B-3AC	1460	m³/s	5.623	5.489	5.342	5.182	5.013	4.656	4.285	3.864							57.0	61	4.56	-	2.240	Inlet	66
		W/(L/s)	0.37	0.38	0.40	0.42	0.45	0.50	0.56	0.62													Outlet
SLC710/4A-3AC	1440	m³/s	7.459	7.309	7.149	6.977	6.794	6.400	5.965	5.470	4.873						60.4	63	6.17	-	3.370	Inlet	71
		W/(L/s)	0.37	0.39	0.41	0.44	0.46	0.51	0.56	0.62	0.69												Outlet
SLC710/4B-3AC	1460	m³/s	8.00	7.89	7.77	7.63	7.49	7.17	6.81	6.43	5.98						59.0	61	8.12	-	4.460	Inlet	73
		W/(L/s)	0.52	0.53	0.54	0.56	0.58	0.61	0.65	0.69	0.74												Outlet
SLC710/6A-3AC	910	m³/s	3.64	3.49	3.31	3.08	2.80										53.4	60	1.49	-	0.700	Inlet	60
		W/(L/s)	0.14	0.16	0.18	0.21	0.24																Outlet
SLC710/6B-3AC	940	m³/s	5.42	5.23	5.00	4.75	4.45										53.6	58	3.71	-	1.470	Inlet	63
		W/(L/s)	0.26	0.27	0.29	0.31	0.33																Outlet
SLC800/4A-3AC	1465	m³/s	8.30	8.19	8.08	7.95	7.81	7.51	7.21	6.90	6.56	6.17	5.63				63.8	66	8.12	54.00	4.170	Inlet	70
		W/(L/s)	0.37	0.38	0.40	0.42	0.44	0.48	0.53	0.58	0.63	0.70	0.78										Outlet
SLC800/4B-3AC	1460	m³/s	9.84	9.70	9.56	9.42	9.28	8.98	8.67	8.34	7.97	7.54	7.03				62.7	64	10.50	77.00	6.000	Inlet	75
		W/(L/s)	0.47	0.49	0.50	0.52	0.54	0.58	0.62	0.67	0.72	0.78	0.85										Outlet
SLC800/6A-3AC	940	m³/s	6.33	6.12	5.89	5.66	5.41	4.78									56.9	61	3.71	19.00	1.760	Inlet	59
		W/(L/s)	0.21	0.23	0.25	0.28	0.30	0.36															Outlet
SLC800/6B-3AC	955	m³/s	7.67	7.42	7.16	6.89	6.61	5.95									54.7	58	5.94	42.00	2.570	Inlet	61
		W/(L/s)	0.29	0.31	0.33	0.35	0.38	0.43															Outlet
SLC900/4A-3AC	1465	m³/s	12.940	12.810	12.670	12.530	12.390	12.080	11.750	11.370	10.940	10.460	9.940	8.740			68.7	69	14.10	-	7.740	Inlet	74
		W/(L/s)	0.50	0.51	0.52	0.54	0.55	0.58	0.61	0.65	0.70	0.75	0.80	0.92									Outlet
SLC900/4B-3AC	1470	m³/s	15.25	15.10	14.94	14.78	14.62	14.26	13.89	13.48	13.04	12.54	11.99	10.64			66.0	66	21.20	-	11.080	Inlet	75
		W/(L/s)	0.66	0.67	0.68	0.70	0.71	0.74	0.77	0.80	0.84	0.88	0.93	1.05									Outlet
SLC900/6A-3AC	955	m³/s	8.43	8.22	8.00	7.76	7.48	6.79	5.94								62.7	66	5.94	-	2.450	Inlet	65
		W/(L/s)	0.23	0.25	0.26	0.28	0.30	0.35	0.41														Outlet
SLC900/6B-3AC	960	m³/s	9.96	9.73	9.47	9.19	8.89	8.18	7.25								59.9	62	7.30	-	3.450	Inlet	66
		W/(L/s)	0.31	0.32	0.34	0.35	0.37	0.42	0.48														Outlet
SLC900/8-3AC	700	m³/s	8.05	7.68	7.24	6.74	6.10										53.8	58	4.09	-	1.790	Inlet	59
		W/(L/s)	0.21	0.22	0.24	0.26	0.29																Outlet
SLC1000/4A-3AC	1455	m³/s	14.300	14.160	14.000	13.840	13.660	13.270	12.850	12.400	11.920	11.400	10.810	9.240			68.7	69	14.10	102.00	8.320	Inlet	81
		W/(L/s)	0.38	0.40	0.41	0.43	0.45	0.50	0.55	0.59	0.64	0.69	0.75	0.89									Outlet
SLC1000/4B-3AC	1470	m³/s	17.09	16.95	16.80	16.63	16.45	16.04	15.59	15.10	14.58	14.03	13.42	11.86			67.1	67	21.20	-	11.060	Inlet	82
		W/(L/s)	0.52	0.53	0.55	0.56	0.58	0.62	0.66	0.71	0.76	0.81	0.86	0.99									Outlet
SLC1000/4C-3AC	1465	m³/s	19.630	19.470	19.290	19.100	18.890	18.450	17.960	17.450	16.910	16.330	15.700	14.210			66.4	66	28.70	-	14.980	Inlet	81
		W/(L/s)	0.66	0.68	0.69	0.70	0.72	0.75	0.79	0.83	0.87	0.92	0.97	1.08									Outlet
SLC1000/6A-3AC	955	m³/s	9.30	9.08	8.81	8.49	8.16	7.40	6.36								62.7	66	5.94	42.00	2.510	Inlet	77
		W/(L/s)	0.18	0.20	0.22	0.24	0.27	0.32	0.39														Outlet
SLC1000/6B-3AC	960	m³/s	10.79	10.57	10.29	9.97	9.62	8.82	7.78								62.4	65	7.30	-	2.510	Inlet	72
		W/(L/s)	0.22	0.24	0.26	0.28	0.31	0.36	0.43														Outlet
SLC1000/8-3AC	700	m³/s	8.88	8.52	8.03	7.46	6.77										57.8	62	4.09	-	1.730	Inlet	64
		W/(L/s)	0.16	0.18	0.20	0.22	0.25																Outlet

Data in accordance with ErP 327/2011 of the European Parliament. Measurement category used to determine energy efficiency: D.

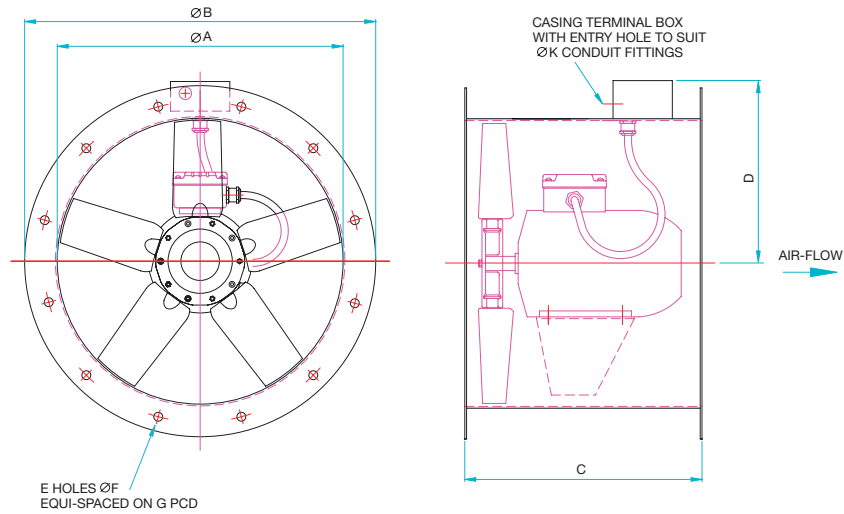
Data provided at standard air density of 1.2 kg/m³.

The overall A-weighted sound pressure level is at a distance of 3m with spherical free-field propagation. It is expressed in dB re-20µPa and is presented for comparative purposes only.

Elta Fans Limited has a policy of continuous product development and improvement and therefore reserves the right to supply products which may differ from those illustrated and described in this publication. Confirmation of dimensions and data will be supplied on request.

# REVOLUTION SLC

## Dimensional Data



Product Code	Fan Dia. A	B	C	D	E	F	G	K	Weight kg	
									1Ph	3Ph
<a href="#">SLC315/4-3AC</a>	315	375	300	218	8	10	355	20	-	16
<a href="#">SLC355/4-3AC</a>	355	425	375	239	8	10	395	20	-	19
<a href="#">SLC400/4-1AC</a>	400	475	400	262	8	12	450	20	34	-
<a href="#">SLC450/2-1AC</a>	450	530	375	287	8	12	500	20	34	-
<a href="#">SLC450/2A-3AC</a>	450	530	450	287	8	12	500	20	-	33
<a href="#">SLC450/4-1AC</a>	450	530	375	287	8	12	500	20	35	-
<a href="#">SLC450/4-3AC</a>	450	530	375	287	8	12	500	20	-	35
<a href="#">SLC500/2A-3AC</a>	500	585	400	312	12	12	560	20	-	72
<a href="#">SLC500/2B-3AC</a>	500	585	450	312	12	12	560	20	-	71
<a href="#">SLC500/4</a>	500	585	400	312	12	12	560	20	41	33
<a href="#">SLC560/2-3AC</a>	560	645	570	342	12	12	620	25	-	96
<a href="#">SLC560/4</a>	560	645	400	342	12	12	620	20	50	44
<a href="#">SLC630/4</a>	630	715	400	377	12	12	690	20	53	58
<a href="#">SLC710/4A-3AC</a>	710	795	450	420	16	12	770	20	-	70
<a href="#">SLC710/4B-3AC</a>	710	795	450	420	16	12	770	25	-	77
<a href="#">SLC710/6A-3AC</a>	710	795	450	420	16	12	770	20	-	45
<a href="#">SLC710/6B-3AC</a>	710	795	450	420	16	12	770	20	-	61
<a href="#">SLC800/4A-3AC</a>	800	885	450	465	16	12	860	25	-	75
<a href="#">SLC800/4B-3AC</a>	800	885	570	465	16	12	860	25	-	101
<a href="#">SLC800/6A-3AC</a>	800	885	450	465	16	12	860	20	-	75
<a href="#">SLC800/6B-3AC</a>	800	885	450	465	16	12	860	25	-	75
<a href="#">SLC900/4A-3AC</a>	900	1000	570	520	16	15	970	25	-	134
<a href="#">SLC900/4B-3AC</a>	900	1000	710	554	16	15	970	32	-	206
<a href="#">SLC900/6A-3AC</a>	900	1000	450	520	16	15	970	25	-	75
<a href="#">SLC900/6B-3AC</a>	900	1000	570	520	16	15	970	25	-	135
<a href="#">SLC900/8-3AC</a>	900	1000	450	520	16	15	970	25	-	107
<a href="#">SLC1000/4A-3AC</a>	1000	1110	590	567	16	15	1070	25	-	159
<a href="#">SLC1000/4B-3AC</a>	1000	1110	790	606	16	15	1070	32	-	239
<a href="#">SLC1000/4C-3AC</a>	1000	1110	790	606	16	15	1070	32	-	263
<a href="#">SLC1000/6A-3AC</a>	1000	1110	590	567	16	15	1070	25	-	127
<a href="#">SLC1000/6B-3AC</a>	1000	1110	590	567	16	15	1070	25	-	159
<a href="#">SLC1000/8-3AC</a>	1000	1110	590	567	16	15	1070	25	-	136

Dimensions are in mm.

Elta Fans Limited has a policy of continuous product development and improvement and therefore reserves the right to supply products which may differ from those illustrated and described in this publication. Confirmation of dimensions and data will be supplied on request.

# REVOLUTION SLC

## Accessories



Product Code	Transformer Controller	Impeller Side Guard	Ancillary Pack*	Mounting Feet (each)	Matching Flanges (each)	Flexible Connections (each)	AV Mounts (set of 4)
SLC400/4-1AC	149-TC18	078C-0400-C	APK400SI/003	060B-0400	061B-0400	063-0400-MAN150	062-003
SLC450/2-1AC	-	078C-0450-C	APK450SI/003	060B-0450	061B-0450	063-0450-MAN150	062-003
SLC450/4-1AC	-	078C-0450-C	APK450SI/003	060B-0450	061B-0450	063-0450-MAN150	062-003
SLC500/4A-1AC	149-TC18	078C-0500-C	APK500SI/003	060B-0500	061B-0500	063-0500-MAN150	062-003
SLC500/4B-1AC	149-TC18	078C-0500-C	APK500SI/003	060B-0500	061B-0500	063-0500-MAN150	062-003
SLC560/4A-1AC	149-TC18	078C-0560-C	APK560SI/003	060B-0560	061B-0560	063-0560-MAN150	062-003
SLC560/4B-1AC	149-TC18	078C-0560-C	APK560SI/003	060B-0560	061B-0560	063-0560-MAN150	062-003
SLC630/4-1AC	149-TC18	078C-0630-C	APK630SI/003	060B-0630	061B-0630	063-0630-MAN200	062-003
SLC630/4B-1AC	149-TC18	078C-0630-C	APK630SI/003	060B-0630	061B-0630	063-0630-MAN200	062-003

Product Code	Damper	Bell Mouth Inlet	Silencer 1D Podded	Silencer 1D Unpodded	Silencer 2D Podded	Silencer 2D Unpodded	Wiring Diagram
SLC400/4-1AC	019-0400-STD	241B-0400-BELL	068-0400-1DEP	068-0400-1DENP	068-0400-2DEP	068-0400-2DENP	152-502
SLC450/2-1AC	019-0450-STD	241B-0450-BELL	068-0450-1DEP	068-0450-1DENP	068-0450-2DEP	068-0450-2DENP	152-502
SLC450/4-1AC	019-0450-STD	241B-0450-BELL	068-0450-1DEP	068-0450-1DENP	068-0450-2DEP	068-0450-2DENP	152-502
SLC500/4A-1AC	019-0500-STD	241B-0500-BELL	068-0500-1DEP	068-0500-1DENP	068-0500-2DEP	068-0500-2DENP	152-502
SLC500/4B-1AC	019-0500-STD	241B-0500-BELL	068-0500-1DEP	068-0500-1DENP	068-0500-2DEP	068-0500-2DENP	152-502
SLC560/4A-1AC	019-0560-STD	241B-0560-BELL	068-0560-1DEP	068-0560-1DENP	068-0560-2DEP	068-0560-2DENP	152-502
SLC560/4B-1AC	019-0560-STD	241B-0560-BELL	068-0560-1DEP	068-0560-1DENP	068-0560-2DEP	068-0560-2DENP	152-502
SLC630/4-1AC	019-0630-STD	241B-0630-BELL	068-0630-1DEP	068-0630-1DENP	068-0630-2DEP	068-0630-2DENP	152-502
SLC630/4B-1AC	019-0630-STD	241B-0630-BELL	068-0630-1DEP	068-0630-1DENP	068-0630-2DEP	068-0630-2DENP	152-502

\* Consists of Flexible Connections, Matching Flanges, AV Mounts and Mounting Feet.

# REVOLUTION SLC

## Accessories



Product Code	Transformer Controller	Inverter Controller 1PH-3PH IP66	Inverter Controller 1PH-3PH IP20	Inverter Controller 3PH-3PH IP66	Inverter Controller 3PH-3PH IP20	Impeller Side Guard	Ancillary Pack*	Mounting Feet (each)
SLC315/4-3AC	149-TC33	-	-	-	-	078C-0315-C	APK315SI/002	060B-0315
SLC355/4-3AC	149-TC33	-	-	-	-	078C-0350-C	APK350SI/002	060B-0355
SLC450/2A-3AC	-	149-ODE-2-22220-1KB4Y	149-ODE-2-22220-1KB42	149-ODE-2-24220-3KA4Y	149-ODE-2-24220-3KA42	078C-0450-C	APK450SI/003	060B-0450
SLC450/4-3AC	149-TC33	149-ODE-2-12075-1KB1Y	149-ODE-2-12075-1KB12	149-ODE-2-14075-3KA1Y	149-ODE-2-14075-3KA12	078C-0450-C	APK450SI/003	060B-0450
SLC500/2A-3AC	-	-	-	149-ODE-2-24400-3KA4Y	149-ODE-2-24400-3KA42	078C-0500-C	APK500SI/003	060B-0500
SLC500/2B-3AC	-	-	-	149-ODE-2-34055-3KA4Y	149-ODE-2-34055-3KA42	078C-0500-C	APK500SI/003	060B-0500
SLC500/4A-3AC	149-TC35	149-ODE-2-12037-1KB1Y	149-ODE-2-12037-1KB12	149-ODE-2-14075-3KA1Y	149-ODE-2-14075-3KA12	078C-0500-C	APK500SI/003	060B-0500
SLC500/4B-3AC	149-TC33	149-ODE-2-12075-1KB1Y	149-ODE-2-12075-1KB12	149-ODE-2-14075-3KA1Y	149-ODE-2-14075-3KA12	078C-0500-C	APK500SI/003	060B-0500
SLC560/2-3AC	-	-	-	149-ODE-2-34075-3KA4Y	149-ODE-2-34075-3KA42	078C-0560-C	APK560SI/003	060B-0560
SLC560/4A-3AC	149-TC35	149-ODE-2-12075-1KB1Y	149-ODE-2-12075-1KB12	149-ODE-2-14075-3KA1Y	149-ODE-2-14075-3KA12	078C-0560-C	APK560SI/003	060B-0560
SLC560/4B-3AC	149-TC35	149-ODE-2-12150-1KB1Y	149-ODE-2-12150-1KB12	149-ODE-2-14150-3KA1Y	149-ODE-2-14150-3KA12	078C-0560-C	APK560SI/003	060B-0560
SLC560/4C-3AC	149-TC35	149-ODE-2-12150-1KB1Y	149-ODE-2-12150-1KB12	149-ODE-2-14150-3KA1Y	149-ODE-2-14150-3KA12	078C-0560-C	APK560SI/003	060B-0560
SLC630/4A-3AC	149-TC35	149-ODE-2-12150-1KB1Y	149-ODE-2-12150-1KB12	149-ODE-2-14150-3KA1Y	149-ODE-2-14150-3KA12	078C-0630-C	APK630SI/003	060B-0630
SLC630/4B-3AC	149-TC310	149-ODE-2-22220-1KB4Y	149-ODE-2-22220-1KB42	149-ODE-2-24220-3KA4Y	149-ODE-2-24220-3KA42	078C-0630-C	APK630SI/003	060B-0630
SLC710/4A-3AC	-	-	-	149-ODE-2-24400-3KA4Y	149-ODE-2-24400-3KA42	078C-0710-C	APK710SI/004	060B-0710
SLC710/4B-3AC	-	-	-	149-ODE-2-24400-3KA4Y	149-ODE-2-24400-3KA42	078C-0710-C	APK710SI/004	060B-0710
SLC710/6A-3AC	149-TC33	149-ODE-2-12075-1KB1Y	149-ODE-2-12075-1KB12	149-ODE-2-14075-3KA1Y	149-ODE-2-14075-3KA12	078C-0710-C	APK710SI/003	060B-0710
SLC710/6B-3AC	149-TC310	149-ODE-2-22220-1KB4Y	149-ODE-2-22220-1KB42	149-ODE-2-24220-3KA4Y	149-ODE-2-24220-3KA42	078C-0710-C	APK710SI/003	060B-0710
SLC800/4A-3AC	-	-	-	149-ODE-2-24400-3KA4Y	149-ODE-2-24400-3KA42	078C-0800-C	APK800SI/004	060B-0800
SLC800/4B-3AC	-	-	-	149-ODE-2-34055-3KA4Y	149-ODE-2-34055-3KA42	078C-0800-C	APK800SI/004	060B-0800
SLC800/6A-3AC	149-TC310	149-ODE-2-22220-1KB4Y	149-ODE-2-22220-1KB42	149-ODE-2-24220-3KA4Y	149-ODE-2-24220-3KA42	078C-0800-C	APK800SI/003	060B-0800
SLC800/6B-3AC	-	-	-	149-ODE-2-24400-3KA4Y	149-ODE-2-24400-3KA42	078C-0800-C	APK800SI/004	060B-0800
SLC900/4A-3AC	-	-	-	149-ODE-2-34075-3KA4Y	149-ODE-2-34075-3KA42	078C-0900-C	APK900SI/005	060B-0900
SLC900/4B-3AC	-	-	-	-	149-ODE-2-34110-3KA42	078C-0900-C	APK900SI/006	060B-0900
SLC900/6A-3AC	-	-	-	149-ODE-2-24400-3KA4Y	149-ODE-2-24400-3KA42	078C-0900-C	APK900SI/004	060B-0900
SLC900/6B-3AC	-	-	-	149-ODE-2-24400-3KA4Y	149-ODE-2-24400-3KA42	078C-0900-C	APK900SI/004	060B-0900
SLC900/8-3AC	-	149-ODE-2-22220-1KB4Y	149-ODE-2-22220-1KB42	149-ODE-2-24220-3KA4Y	149-ODE-2-24220-3KA42	078C-0900-C	APK900SI/005	060B-0900
SLC1000/4A-3AC	-	-	-	149-ODE-2-34075-3KA4Y	149-ODE-2-34075-3KA42	078C-1000-C	APK1000SI/005	060B-1000
SLC1000/4B-3AC	-	-	-	-	149-ODE-2-34110-3KA42	078C-1000-C	APK1000SI/006	060B-1000
SLC1000/4C-3AC	-	-	-	-	149-ODV-34150-IN	078C-1000-C	APK1000SI/006	060B-1000
SLC1000/6A-3AC	-	-	-	149-ODE-2-24220-3KA4Y	149-ODE-2-24220-3KA42	078C-1000-C	APK1000SI/005	060B-1000
SLC1000/6B-3AC	-	-	-	149-ODE-2-24400-3KA4Y	149-ODE-2-24400-3KA42	078C-1000-C	APK1000SI/005	060B-1000
SLC1000/8-3AC	-	149-ODE-2-22220-1KB4Y	149-ODE-2-22220-1KB42	149-ODE-2-24220-3KA4Y	149-ODE-2-24220-3KA42	078C-1000-C	APK1000SI/005	060B-1000

\* Consists of Flexible Connections, Matching Flanges, AV Mounts and Mounting Feet.

# REVOLUTION SLC

## Accessories



Product Code	Matching Flanges (each)	Flexible Connections (each)	AV Mounts (set of 4)	Damper	Bell Mouth Inlet	Silencer 1D Podded	Silencer 1D Unpodded	Silencer 2D Podded	Silencer 2D Unpodded	Wiring Diagram
SLC315/4-3AC	061B-0315	063-0315-MAN150	062-002	019-0315-STD	241B-0315	068-0315-1DEP	068-0315-1DENP	068-0315-2DEP	068-0315-2DENP	152-600
SLC355/4-3AC	061B-0355	063-0355-MAN150	062-002	019-0355-STD	241B-0355	068-0350-1DEP	068-0350-1DENP	068-0350-2DEP	068-0350-2DENP	152-600
SLC450/2A-3AC	061B-0450	063-0450-MAN150	062-003	019-0450-STD	241B-0450-BELL	068-0450-1DEP	068-0450-1DENP	068-0450-2DEP	068-0450-2DENP	152-600
SLC450/4-3AC	061B-0450	063-0450-MAN150	062-003	019-0450-STD	241B-0450-BELL	068-0450-1DEP	068-0450-1DENP	068-0450-2DEP	068-0450-2DENP	152-600
SLC500/2A-3AC	061B-0500	063-0500-MAN150	062-003	019-0500-STD	241B-0500-BELL	068-0500-1DEP	068-0500-1DENP	068-0500-2DEP	068-0500-2DENP	152-601
SLC500/2B-3AC	061B-0500	063-0500-MAN150	062-003	019-0500-STD	241B-0500-BELL	068-0500-1DEP	068-0500-1DENP	068-0500-2DEP	068-0500-2DENP	152-601
SLC500/4A-3AC	061B-0500	063-0500-MAN150	062-003	019-0500-STD	241B-0500-BELL	068-0500-1DEP	068-0500-1DENP	068-0500-2DEP	068-0500-2DENP	152-600
SLC500/4B-3AC	061B-0500	063-0500-MAN150	062-003	019-0500-STD	241B-0500-BELL	068-0500-1DEP	068-0500-1DENP	068-0500-2DEP	068-0500-2DENP	152-600
SLC560/2-3AC	061B-0560	063-0560-MAN150	062-003	019-0560-STD	241B-0560-BELL	068-0560-1DEP	068-0560-1DENP	068-0560-2DEP	068-0560-2DENP	152-601
SLC560/4A-3AC	061B-0560	063-0560-MAN150	062-003	019-0560-STD	241B-0560-BELL	068-0560-1DEP	068-0560-1DENP	068-0560-2DEP	068-0560-2DENP	152-600
SLC560/4B-3AC	061B-0560	063-0560-MAN150	062-003	019-0560-STD	241B-0560-BELL	068-0560-1DEP	068-0560-1DENP	068-0560-2DEP	068-0560-2DENP	152-600
SLC560/4C-3AC	061B-0560	063-0560-MAN150	062-003	019-0560-STD	241B-0560-BELL	068-0560-1DEP	068-0560-1DENP	068-0560-2DEP	068-0560-2DENP	152-600
SLC630/4A-3AC	061B-0630	063-0630-MAN200	062-003	019-0630-STD	241B-0630-BELL	068-0630-1DEP	068-0630-1DENP	068-0630-2DEP	068-0630-2DENP	152-600
SLC630/4B-3AC	061B-0630	063-0630-MAN200	062-003	019-0630-STD	241B-0630-BELL	068-0630-1DEP	068-0630-1DENP	068-0630-2DEP	068-0630-2DENP	152-600
SLC710/4A-3AC	061B-0710	063-0710-MAN200	062-004	019-0710-STD	241B-0710-BELL	068-0710-1DEP	068-0710-1DENP	068-0710-2DEP	068-0710-2DENP	152-600
SLC710/4B-3AC	061B-0710	063-0710-MAN200	062-004	019-0710-STD	241B-0710-BELL	068-0710-1DEP	068-0710-1DENP	068-0710-2DEP	068-0710-2DENP	152-601
SLC710/6A-3AC	061B-0710	063-0710-MAN200	062-003	019-0710-STD	241B-0710-BELL	068-0710-1DEP	068-0710-1DENP	068-0710-2DEP	068-0710-2DENP	152-600
SLC710/6B-3AC	061B-0710	063-0710-MAN200	062-003	019-0710-STD	241B-0710-BELL	068-0710-1DEP	068-0710-1DENP	068-0710-2DEP	068-0710-2DENP	152-600
SLC800/4A-3AC	061B-0800	063-0800-MAN200	062-004	019-0800-STD	241B-0800-BELL	068-0800-1DEP	068-0800-1DENP	068-0800-2DEP	068-0800-2DENP	152-601
SLC800/4B-3AC	061B-0800	063-0800-MAN200	062-004	019-0800-STD	241B-0800-BELL	068-0800-1DEP	068-0800-1DENP	068-0800-2DEP	068-0800-2DENP	152-601
SLC800/6A-3AC	061B-0800	063-0800-MAN200	062-003	019-0800-STD	241B-0800-BELL	068-0800-1DEP	068-0800-1DENP	068-0800-2DEP	068-0800-2DENP	152-600
SLC800/6B-3AC	061B-0800	063-0800-MAN200	062-004	019-0800-STD	241B-0800-BELL	068-0800-1DEP	068-0800-1DENP	068-0800-2DEP	068-0800-2DENP	152-601
SLC900/4A-3AC	061B-0900	063-0900-MAN200	062-005	019-0900-STD	241B-0900-BELL	068-0900-1DEP	068-0900-1DENP	068-0900-2DEP	068-0900-2DENP	152-601
SLC900/4B-3AC	061B-0900	063-0900-MAN200	062-006	019-0900-STD	241B-0900-BELL	068-0900-1DEP	068-0900-1DENP	068-0900-2DEP	068-0900-2DENP	152-601
SLC900/6A-3AC	061B-0900	063-0900-MAN200	062-004	019-0900-STD	241B-0900-BELL	068-0900-1DEP	068-0900-1DENP	068-0900-2DEP	068-0900-2DENP	152-601
SLC900/6B-3AC	061B-0900	063-0900-MAN200	062-004	019-0900-STD	241B-0900-BELL	068-0900-1DEP	068-0900-1DENP	068-0900-2DEP	068-0900-2DENP	152-601
SLC900/8-3AC	061B-0900	063-0900-MAN200	062-005	019-0900-STD	241B-0900-BELL	068-0900-1DEP	068-0900-1DENP	068-0900-2DEP	068-0900-2DENP	152-600
SLC1000/4A-3AC	061B-1000	063-1000-MAN250	062-005	019-1000-STD	241B-1000-BELL	068-1000-1DEP	068-1000-1DENP	068-1000-2DEP	068-1000-2DENP	152-601
SLC1000/4B-3AC	061B-1000	063-1000-MAN250	062-006	019-1000-STD	241B-1000-BELL	068-1000-1DEP	068-1000-1DENP	068-1000-2DEP	068-1000-2DENP	152-601
SLC1000/4C-3AC	061B-1000	063-1000-MAN250	062-006	019-1000-STD	241B-1000-BELL	068-1000-1DEP	068-1000-1DENP	068-1000-2DEP	068-1000-2DENP	152-601
SLC1000/6A-3AC	061B-1000	063-1000-MAN250	062-005	019-1000-STD	241B-1000-BELL	068-1000-1DEP	068-1000-1DENP	068-1000-2DEP	068-1000-2DENP	152-601
SLC1000/6B-3AC	061B-1000	063-1000-MAN250	062-005	019-1000-STD	241B-1000-BELL	068-1000-1DEP	068-1000-1DENP	068-1000-2DEP	068-1000-2DENP	152-601
SLC1000/8-3AC	061B-1000	063-1000-MAN250	062-005	019-1000-STD	241B-1000-BELL	068-1000-1DEP	068-1000-1DENP	068-1000-2DEP	068-1000-2DENP	152-600



Fan & inverter packages available. Please contact Elta Fans for more information.