



REVOLUTION SLCX

ATEX Long Cased Axial Flow Fan

REVOLUTION SLCX

Product Overview



- 7 standard sizes from 355mm to 710mm
- Air volume flow rates up to 6.8 m³/s
- Static pressure up to 872 Pa
- Suitable for operating temperatures up to +40°C
- Suitable for extract or supply systems
- Available in **AC**

A range of ATEX rated duct mounted axial fans, manufactured in heavy gauge sheet steel. These units are designed to meet the requirements for Hazardous Areas with carbon filled anti-static impeller blades and protection to Ex h IIB+H2 T4 Gb.

Intelligent Design

Classified for constructional safety and the requirements stated in 2014/34/EU directive, Gas, Zone and ignition temperature protection to Ex h IIB+H2 T4 Gb.

Efficient Performance

Adjustable pitch aerofoil section impellers with blades made from high quality carbon filled anti-static material for enhanced performance. Hubs are die cast aluminium.

Warranty

Each SLCX has a 12 month warranty.

Construction

Constructed from a single sheet of steel, with both motors and axial impellers mounted within the length of the unit casing. All casing parts are heavy gauge mild steel sheet, roll formed and welded, then dip galvanised to BS EN ISO 1461:1999 after fabrication.

Impeller

Adjustable pitch aerofoil impellers are provided with blades made from high quality carbon filled anti-static material. Impellers are factory set at an angle to provide maximum performance. Hubs are manufactured from die cast aluminium alloy (LM24). Assembled impellers are dynamically balanced to ISO 14694 Grade G6.3.

Typical Applications

- Chemical Process
- Water and Sewage Treatment
- Material and Gas Waste
- Dust and Paint Extraction
- Battery Room Ventilation and Refrigeration

Contents

Page	Information
3	Performance Range Curves
4	Performance, SFP & Electrical Data
5	Sound Data
6	Dimensional Data
7	Accessories
17	Notes

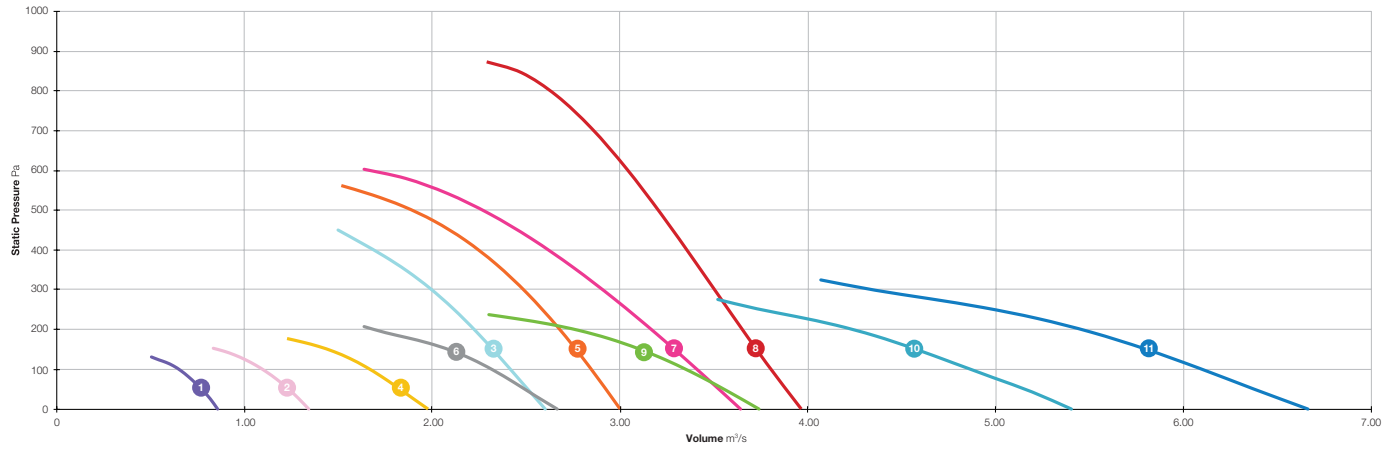


Ex h IIB+H2 T4 Gb

REVOLUTION SLCX



Performance Range Curves



- 1 SLCX355 / 4-3
- 2 SLCX400 / 4-3
- 3 SLCX400 / 2-3
- 4 SLCX450 / 4-3B

- 5 SLCX450 / 2-3A
- 6 SLCX500 / 4-3
- 7 SLCX500 / 2-3
- 8 SLCX500 / 2-3B

- 9 SLCX560 / 4-3
- 10 SLCX630 / 4-3
- 11 SLCX710 / 4-3

REVOLUTION SLCX



Performance, SFP & Electrical Data

Three Phase 380V to 415V / 50Hz

Product Code	Speed r/min	Airflow SFP	Airflow m ³ /s @ Static Pressure Pa												At Best Efficiency Point		Electrical Data			dBA @ 3m	
			0	25	50	75	100	150	200	250	300	350	400	500	Output kW	Peak Amps	SC	Δ / Y			
SLCX355/4-3	1360	m ³ /s	0.860	0.821	0.773	0.716	0.648	-	-	-	-	-	-	-	0.370	1.10	3.74	Mains	Inlet	50	
		W/(L/s)	0.28	0.32	0.36	0.40	0.45	-	-	-	-	-	-	-					Outlet	49	
SLCX400/4-3	1390	m ³ /s	1.343	1.292	1.235	1.170	1.094	0.849	-	-	-	-	-	-	0.550	1.60	6.56	Mains	Inlet	53	
		W/(L/s)	0.36	0.38	0.41	0.44	0.47	0.60	-	-	-	-	-	-					Outlet	53	
SLCX400/2-3	2820	m ³ /s	2.601	2.554	2.507	2.462	2.416	2.322	2.224	2.117	1.998	1.858	1.690	-	2.200	5.00	28.00	Mains	Inlet	61	
		W/(L/s)	0.79	0.80	0.82	0.83	0.85	0.88	0.92	0.96	1.02	1.08	1.18	-					Outlet	61	
SLCX450/4-3B	1390	m ³ /s	1.979	1.904	1.829	1.753	1.670	1.444	-	-	-	-	-	-	0.750	1.60	7.79	Mains	Inlet	56	
		W/(L/s)	0.32	0.35	0.38	0.41	0.45	0.54	-	-	-	-	-	-					Outlet	56	
SLCX450/2-3A	2820	m ³ /s	2.998	2.961	2.923	2.885	2.845	2.764	2.679	2.587	2.487	2.377	2.250	1.900	2.200	5.00	28.00	Mains	Inlet	68	
		W/(L/s)	0.47	0.49	0.51	0.53	0.55	0.60	0.65	0.69	0.75	0.80	0.87	1.05					Outlet	68	
SLCX500/4-3	1380	m ³ /s	2.668	2.579	2.494	2.409	2.317	2.082	1.680	-	-	-	-	-	1.100	2.70	11.10	Mains	Inlet	62	
		W/(L/s)	0.37	0.40	0.43	0.45	0.47	0.53	0.64	-	-	-	-	-					Outlet	59	
SLCX500/2-3	2820	m ³ /s	3.642	3.584	3.527	3.468	3.410	3.291	3.168	3.042	2.910	2.771	2.622	2.274	2.200	5.00	28.00	Mains	Inlet	73	
		W/(L/s)	0.56	0.57	0.59	0.60	0.62	0.66	0.72	0.78	0.86	0.95	1.05	1.27					Outlet	73	
SLCX500/2-3B	2900	m ³ /s	3.962	3.920	3.879	3.839	3.800	3.723	3.648	3.574	3.501	3.427	3.353	3.201	4.000	8.00	56.00	Mains	Inlet	80	
		W/(L/s)	0.89	0.91	0.93	0.95	0.97	1.00	1.04	1.09	1.13	1.17	1.22	1.32					Outlet	80	
SLCX560/4-3	1380	m ³ /s	3.739	3.646	3.551	3.452	3.347	3.102	2.749	-	-	-	-	-	1.500	3.50	15.40	Mains	Inlet	65	
		W/(L/s)	0.38	0.41	0.43	0.45	0.48	0.53	0.60	-	-	-	-	-					Outlet	62	
SLCX630/4-3	1410	m ³ /s	5.400	5.285	5.150	5.004	4.860	4.570	4.230	3.735	-	-	-	-	3.000	6.50	35.75	Mains	Inlet	66	
		W/(L/s)	0.42	0.44	0.47	0.49	0.51	0.56	0.61	0.69	-	-	-	-					Outlet	65	
SLCX710/4-3	1410	m ³ /s	6.661	6.515	6.376	6.238	6.099	5.805	5.462	5.003	4.355	-	-	-	3.000	6.50	35.75	Mains	Inlet	68	
		W/(L/s)	0.38	0.40	0.43	0.45	0.47	0.52	0.57	0.62	0.71	-	-	-					Outlet	71	

Data provided is at standard air density of 1.2 kg/m³.

Exempt from ErP of the European Parliament.

Peak Amps @ 400V / 3PH / 50Hz.

The overall A-weighted sound pressure level is at a distance of 3m with spherical free-field propagation. It is expressed in dB re-20μPa and is presented for comparative purposes only.

REVOLUTION SLCX



Sound Data

Three Phase 380V to 415V / 50Hz

Product Code	Speed r/min		Sound Power Level dB @ Octave Band Hz								Total dB
			63Hz	125Hz	250Hz	500Hz	1kHz	2kHz	4kHz	8kHz	
SLCX355/4-3	1360	Inlet	64	68	69	62	66	65	59	48	74
		Outlet	67	67	72	64	64	63	60	53	75
SLCX400/4-3	1390	Inlet	69	68	69	68	70	68	62	54	77
		Outlet	70	69	73	70	67	66	63	56	78
SLCX400/2-3	2820	Inlet	83	81	82	79	76	73	71	66	88
		Outlet	80	85	83	77	75	73	69	64	89
SLCX450/4-3B	1390	Inlet	72	71	72	71	73	71	65	57	80
		Outlet	73	72	76	73	70	69	66	59	81
SLCX450/2-3A	2820	Inlet	88	81	84	81	84	82	80	72	92
		Outlet	84	82	86	81	84	82	80	76	92
SLCX500/4-3	1380	Inlet	71	73	74	76	79	76	75	64	84
		Outlet	78	75	78	75	74	73	71	64	84
SLCX500/2-3	2820	Inlet	95	83	88	87	90	85	84	79	98
		Outlet	85	82	89	86	89	87	84	80	95
SLCX500/2-3B	2900	Inlet	91	86	88	95	97	94	92	88	102
		Outlet	92	87	89	95	95	94	92	88	101
SLCX560/4-3	1380	Inlet	77	75	80	80	82	79	78	70	88
		Outlet	80	78	81	79	77	76	74	68	87
SLCX630/4-3	1410	Inlet	80	73	81	80	82	78	79	72	88
		Outlet	81	80	83	81	80	78	77	70	89
SLCX710/4-3	1410	Inlet	83	79	85	86	84	80	80	72	92
		Outlet	87	84	87	87	86	84	84	75	94

Data provided at standard air density of 1.2 kg/m³.
 Tests and preparation of the sound data have been carried out in accordance with BS 848 Part 2:1985 at 50% peak pressure.
 The Sound Power Level Spectra are in dB re-1pW.

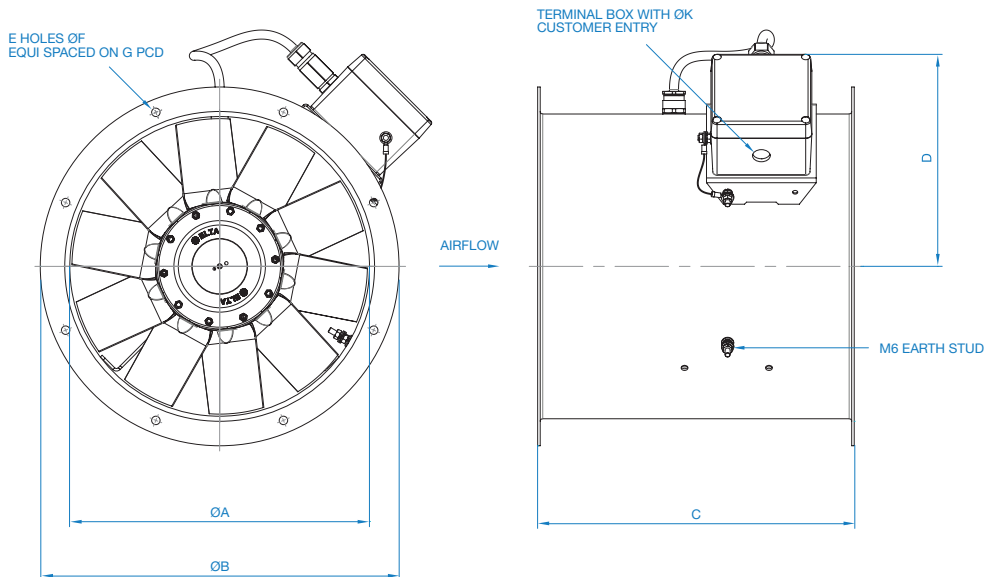
REVOLUTION SLCX



Dimensional Data

Three Phase

Product Code	A	B	C	D	E	F	G	K	Weight kg
SLCX355/4-3	355	425	375	255	8	10	395	M20	29
SLCX400/4-3	400	475	400	270	8	12	450	M20	35
SLCX400/2-3	400	475	400	270	8	12	450	M20	43
SLCX450/4-3B	450	530	450	290	8	12	500	M20	40
SLCX450/2-3A	450	530	450	290	8	12	500	M20	47
SLCX500/4-3	500	585	450	310	12	12	560	M20	47
SLCX500/2-3	500	585	450	310	12	12	560	M20	51
SLCX500/2-3B	500	585	450	310	12	12	560	M20	68
SLCX560/4-3	560	645	450	340	12	12	620	M20	63
SLCX630/4-3	630	715	450	355	12	12	690	M20	64
SLCX710/4-3	710	795	450	385	16	12	770	M20	70



Dimensions are in mm.

REVOLUTION SLCX



Accessories

Three Phase

Product Code	Ancillary Pack*	AV Mounts ** (set of 4)	Bell Mouth Inlet	Flanged Silencer 1D Podded	Flanged Silencer 1D Unpodded	Flanged Silencer 2D Podded
SLCX355/4-3	APK350/002	062-002	241B-0355	068-0350-1DEP	068-0350-1DENP	068-0350-2DEP
SLCX400/4-3	APK400/003	062-003	241B-0400-BELL	068-0400-1DEP	068-0400-1DENP	068-0400-2DEP
SLCX400/2-3	APK400/003	062-003	241B-0400-BELL	068-0400-1DEP	068-0400-1DENP	068-0400-2DEP
SLCX450/4-3B	APK450/003	062-003	241B-0450-BELL	068-0450-1DEP	068-0450-1DENP	068-0450-2DEP
SLCX450/2-3A	APK450/003	062-003	241B-0450-BELL	068-0450-1DEP	068-0450-1DENP	068-0450-2DEP
SLCX500/4-3	APK500/003	062-003	241B-0500-BELL	068-0500-1DEP	068-0500-1DENP	068-0500-2DEP
SLCX500/2-3	APK500/003	062-003	241B-0500-BELL	068-0500-1DEP	068-0500-1DENP	068-0500-2DEP
SLCX500/2-3B	APK500/003	062-003	241B-0500-BELL	068-0500-1DEP	068-0500-1DENP	068-0500-2DEP
SLCX560/4-3	APK560/003	062-003	241B-0560-BELL	068-0560-1DEP	068-0560-1DENP	068-0560-2DEP
SLCX630/4-3	APK630/003	062-003	241B-0630-BELL	068-0630-1DEP	068-0630-1DENP	068-0630-2DEP
SLCX710/4-3	APK710/004	062-004	241B-0710-BELL	068-0710-1DEP	068-0710-1DENP	068-0710-2DEP

Product Code	Flanged Silencer 2D Unpodded	Impeller Side Guard	Matching Flanges (each)	Mounting Feet (each)	Standard Ambient Flexible Connectors (each)	Wiring Diagram
SLCX355/4-3	068-0350-2DENP	078C-0350-C	061B-0350	060B-0355	063-0350-MAN150	152-612
SLCX400/4-3	068-0400-2DENP	078C-0400-C	061B-0400	060B-0400	063-0400-MAN150	152-612
SLCX400/2-3	068-0400-2DENP	078C-0400-C	061B-0400	060B-0400	063-0400-MAN150	152-612
SLCX450/4-3B	068-0450-2DENP	078C-0450-C	061B-0450	060B-0450	063-0450-MAN150	152-612
SLCX450/2-3A	068-0450-2DENP	078C-0450-C	061B-0450	060B-0450	063-0450-MAN150	152-612
SLCX500/4-3	068-0500-2DENP	078C-0500-C	061B-0500	060B-0500	063-0500-MAN150	152-612
SLCX500/2-3	068-0500-2DENP	078C-0500-C	061B-0500	060B-0500	063-0500-MAN150	152-612
SLCX500/2-3B	068-0500-2DENP	078C-0500-C	061B-0500	060B-0500	063-0500-MAN150	152-612
SLCX560/4-3	068-0560-2DENP	078C-0560-C	061B-0560	060B-0560	063-0560-MAN150	152-612
SLCX630/4-3	068-0630-2DENP	078C-0630-C	061B-0630	060B-0630	063-0630-MAN200	152-612
SLCX710/4-3	068-0710-2DENP	078C-0710-C	061B-0710	060B-0710	063-0710-MAN200	152-612

* Controller is not ATEX rated and must be mounted outside the hazardous area.

** Supplied as a single mount.

Building Services

Tel **+44 (0) 1384 275800**
Fax **+44 (0) 1384 275810**
Email **info@eltafans.co.uk**

46 Third Avenue, Pensnett Trading Estate, Kingswinford,
West Midlands, DY6 7US United Kingdom

Applied Technology & Building Services Export

Tel **+44 (0) 1489 566500**
Fax **+44 (0) 1489 566555**
Email **at@eltafans.co.uk / export@eltafans.co.uk**

17 Barnes Wallis Road, Segensworth East Industrial Estate,
Fareham, Hampshire, PO15 5ST United Kingdom

eltafans.com

SLCX-07-2022 Issue E



BS EN ISO 9001:2015 FM 556465

