



COMPACT SCP

Plate Mounted Axial Flow Fan

COMPACT SCP

Product Overview

- 10 standard sizes from 250mm to 800mm
- Air volume flow rates up to 5.61 m³/s
- Static pressures up to 401 Pa
- Highly efficient, lightweight induction motors
- Fully speed controllable
- Available in **AC** & **EC**



Featuring our high efficiency Series 1 impeller, the Compact SCP makes light work of handling large volumes of air against low resistance. The fan design, construction and finish provide a strong, durable and weatherproofed range.

Intelligent Design

Compact low profile design suitable for vertical or horizontal mounting.

Easy Installation

A fitted IP55 terminal box allows the fan to be positioned conveniently to incoming electrical inputs.

Impellers Designed For Efficiency

Impellers are adjustable pitch aerofoil with blades made from high quality GRP. Combined with increased blade chord and twist, we have achieved 7% higher efficiency, reducing overall energy consumption. Increased blade root reduces stress levels making our range of impellers ideal for arduous fan applications.

Corrosion Resistance

Specially treated against corrosion, powder coated with polyester epoxy paint.

Controllability

A range of transformer voltage controllers and inverters are available for AC units. IE5 EC fans can be directly connected via DC voltage 2 to 10V, DC current 4 to 20mA, Frequency 10 to 95% or a potentiometer. Both AC with Inverter and EC provide significant cost-savings through lower energy consumption.

Warranty

Each SCP has a 12 month warranty.

Construction

Constructed from mild steel and suitably treated to ensure full corrosion protection. Guards are epoxy powder coated. Fan plates and motors are finished in a powdered coated polyester epoxy paint in pastel beige.

Motor

AC motors possess greased for life ball bearings with fixed speed operating temperatures of between -20°C and +70°C and speed controlled operating temperatures of -20°C and +50°C. High efficiency EC motors comply with the efficiency level IE5 for operating temperatures up to +60°C EC.

Typical Applications

- Factories
- Sports Halls
- Shops
- Industrial Units
- Warehousing
- Schools
- Kitchens

Contents

Page	Information	Load
3	Performance Range Curves	AC
4	Performance Range Curves	EC
5	Performance, SFP & Electrical Data	AC
7	Performance, SFP & Electrical Data	EC
9	Sound Data	AC
11	Sound Data	EC
13	Dimensional Data	AC
14	Dimensional Data	EC
15	Accessories	AC
17	Accessories	EC
27	Notes	

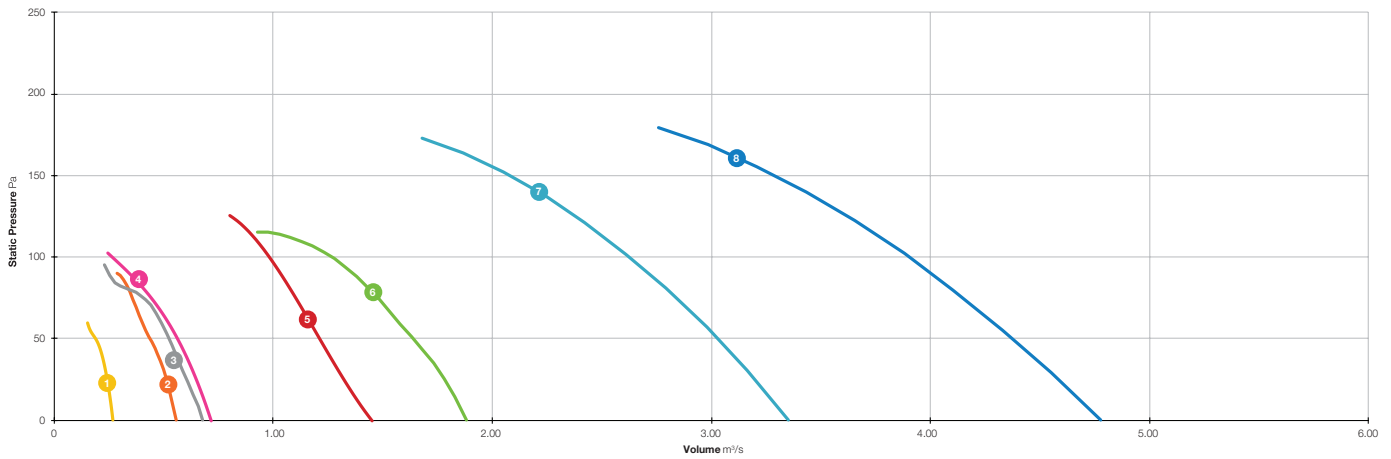
Product Coding

Code	Reference
SCP	Product Range
250	Diameter (250/315/350...)
/	
4	Number of Poles (2/4/6)
-	
1	Voltage Supply (Single Phase / Three Phase)
AC	Motor Type (AC/EC)
A - Z	Additional Coding (A - Z) Product Variants
e.g.	SCP250 / 4 - 1AC

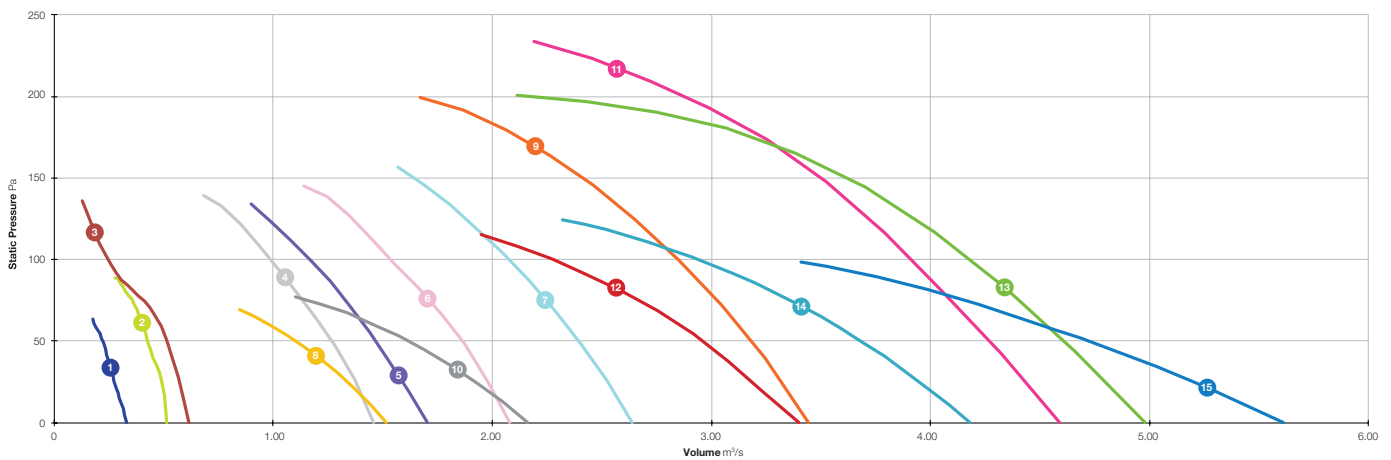
COMPACT SCP



Performance Range Curves



- | | | |
|------------------|------------------|------------------|
| 1 SCP250 / 4-1AC | 4 SCP400 / 4-1AC | 7 SCP560 / 4-1AC |
| 2 SCP315 / 4-1AC | 5 SCP450 / 4-1AC | 8 SCP630 / 4-1AC |
| 3 SCP350 / 4-1AC | 6 SCP500 / 4-1AC | |

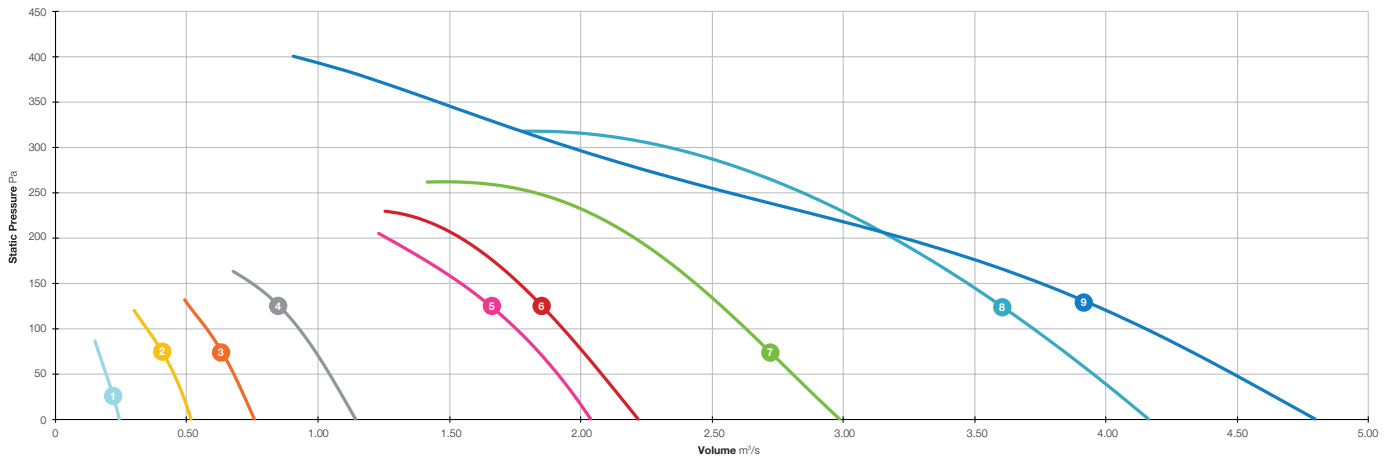


- | | | |
|------------------|-------------------|-----------------------|
| 1 SCP250 / 4-3AC | 6 SCP450 / 4B-3AC | 11 SCP630 / 4-3AC |
| 2 SCP315 / 4-3AC | 7 SCP500 / 4-3AC | 12 SCP630 / 6-3AC |
| 3 SCP350 / 4-3AC | 8 SCP500 / 6-3AC | 13 SCP710 / 4 - 6-3AC |
| 4 SCP400 / 4-3AC | 9 SCP560 / 4-3AC | 14 SCP710 / 6 - 8-3AC |
| 5 SCP450 / 4-3AC | 10 SCP560 / 6-3AC | 15 SCP800 / 6 - 8-3AC |

COMPACT SCP



Performance Range Curves



- 1 SCP250 / 1EC
- 2 SCP315 / 1EC
- 3 SCP350 / 1EC

- 4 SCP400 / 1EC
- 5 SCP450 / 1EC
- 6 SCP500 / 1EC

- 7 SCP560 / 1EC
- 8 SCP630 / 1EC
- 9 SCP710 / 1EC

COMPACT SCP



Performance, SFP & Electrical Data

Single Phase 220V to 240V / 50Hz

Product Code	Speed r/min	Airflow SFP	Airflow m ³ /s @ Static Pressure Pa						At Best Efficiency Point			Electrical Data		dBA @ 3m
			0	25	50	75	100	150	Overall Eff %	FMEG N	Input kW	Peak Amps		
SCP250/4-1AC	1445	m ³ /s	0.265	0.239	0.186	-	-	-	12.0	<125W	0.080	0.38	Inlet	42
		W/(L/s)	0.28	0.32	0.42	-	-	-					Outlet	42
SCP315/4-1AC	1370	m ³ /s	0.557	0.514	0.435	0.355	-	-	22.7	<125W	0.120	0.56	Inlet	50
		W/(L/s)	0.20	0.22	0.26	0.34	-	-					Outlet	49
SCP350/4-1AC	1360	m ³ /s	0.679	0.602	0.523	0.411	-	-	25.6	<125W	0.120	0.65	Inlet	50
		W/(L/s)	0.15	0.19	0.23	0.30	-	-					Outlet	50
SCP400/4-1AC	1365	m ³ /s	0.716	0.649	0.564	0.446	0.270	-	27.6	<125W	0.121	0.60	Inlet	50
		W/(L/s)	0.14	0.17	0.21	0.27	0.46	-					Outlet	50
SCP450/4-1AC	1365	m ³ /s	1.453	1.325	1.215	1.106	0.987	-	30.9	40	0.335	1.62	Inlet	51
		W/(L/s)	0.21	0.23	0.25	0.29	0.34	-					Outlet	50
SCP500/4-1AC	1300	m ³ /s	1.881	1.783	1.638	1.474	1.267	-	31.2	40	0.411	1.82	Inlet	58
		W/(L/s)	0.19	0.21	0.24	0.28	0.32	-					Outlet	57
SCP560/4-1AC	1315	m ³ /s	3.349	3.198	3.029	2.840	2.625	2.080	34.4	41	0.920	4.90	Inlet	58
		W/(L/s)	0.26	0.28	0.30	0.32	0.35	0.44					Outlet	62
SCP630/4-1AC	1295	m ³ /s	4.776	4.586	4.376	4.150	3.903	3.289	34.8	40	1.446	6.50	Inlet	63
		W/(L/s)	0.29	0.31	0.33	0.35	0.38	0.45					Outlet	65

Data provided is at standard air density of 1.2 kg/m³.

ErP data in accordance with Regulation (EU) 327/2011. Measurement category used to determine energy efficiency: A. Peak Amps @ 230V / 1PH / 50Hz.

The overall A-weighted sound pressure level is at a distance of 3m with spherical free-field propagation. It is expressed in dB re-20μPa and is presented for comparative purposes only.

COMPACT SCP



Performance, SFP & Electrical Data

Three Phase 380V to 415V / 50Hz

Product Code	Speed r/min	Airflow SFP	Airflow m ³ /s @ Static Pressure Pa							At Best Efficiency Point			Electrical Data		dBA @ 3m	
			0	25	50	75	100	150	200	Overall Eff %	FMEG N	Input kW	Peak Amps	Δ / Y		
SCP250/4-3AC	1460	m ³ /s	0.330	0.273	0.221	-	-	-	-	12.6	<125W	0.090	0.32	Y	Inlet	42
		W/(L/s)	0.26	0.32	0.40	-	-	-	-						Outlet	42
SCP315/4-3AC	1445	m ³ /s	0.515	0.491	0.426	0.355	-	-	-	21.9	<125W	0.120	0.34	Y	Inlet	50
		W/(L/s)	0.21	0.23	0.28	0.35	-	-	-						Outlet	49
SCP350/4-3AC	1440	m ³ /s	0.616	0.570	0.515	0.407	0.243	-	-	25.8	<125W	0.120	0.34	Y	Inlet	50
		W/(L/s)	0.16	0.19	0.23	0.30	0.49	-	-						Outlet	50
SCP400/4-3AC	1400	m ³ /s	1.455	1.375	1.268	1.133	0.988	-	-	31.5	40	0.328	0.68	Y	Inlet	51
		W/(L/s)	0.21	0.23	0.25	0.29	0.34	-	-						Outlet	55
SCP450/4-3AC	1390	m ³ /s	1.705	1.589	1.466	1.329	1.167	-	-	32.6	41	0.373	0.68	Y	Inlet	53
		W/(L/s)	0.19	0.21	0.24	0.27	0.32	-	-						Outlet	58
SCP450/4B-3AC	1375	m ³ /s	2.081	1.976	1.863	1.712	1.535	-	-	33.3	41	0.519	0.96	Y	Inlet	53
		W/(L/s)	0.24	0.25	0.27	0.30	0.34	-	-						Outlet	58
SCP500/4-3AC	1405	m ³ /s	2.639	2.525	2.394	2.245	2.075	1.646	-	34.5	41	0.715	1.35	Y	Inlet	57
		W/(L/s)	0.26	0.27	0.29	0.32	0.35	0.44	-						Outlet	61
SCP500/6-3AC	930	m ³ /s	1.518	1.339	1.102	-	-	-	-	29.3	40	0.200	0.94	Y	Inlet	50
		W/(L/s)	0.12	0.27	0.29	-	-	-	-						Outlet	52
SCP560/4-3AC	1410	m ³ /s	3.322	3.185	3.029	2.851	2.412	-	-	38.9	45	0.951	1.90	Y	Inlet	60
		W/(L/s)	0.27	0.29	0.31	0.33	0.40	-	-						Outlet	64
SCP560/6-3AC	880	m ³ /s	2.162	1.924	1.616	1.159	-	-	-	30.7	40	0.292	0.94	Y	Inlet	54
		W/(L/s)	0.12	0.15	0.18	0.25	-	-	-						Outlet	56
SCP630/4-3AC	1420	m ³ /s	4.590	4.437	4.271	4.096	3.914	3.502	2.881	42.5	48	1.356	2.70	Y	Inlet	65
		W/(L/s)	0.26	0.28	0.30	0.32	0.34	0.39	0.47						Outlet	67
SCP630/6-3AC	915	m ³ /s	3.399	3.185	2.958	2.672	2.273	-	-	32.7	40	0.698	2.00	Y	Inlet	55
		W/(L/s)	0.19	0.21	0.23	0.27	0.31	-	-						Outlet	57
SCP710/4/6-3AC	1346	m ³ /s	4.978	4.799	4.610	4.408	4.187	3.626	2.185	35.4	40	1.583	3.68	Δ	Inlet	62
		W/(L/s)	0.28	0.30	0.32	0.35	0.37	0.44	0.67						Outlet	62
	1114	m ³ /s	4.277	4.022	3.730	3.384	2.956	1.591	-	-		1.086	1.96	Y	Inlet	67
		W/(L/s)	0.24	0.26	0.29	0.32	0.37	0.67	-						Outlet	69
SCP710/6/8-3AC	900	m ³ /s	4.179	3.949	3.682	3.360	2.943	-	-	33.8	40	0.890	2.35	Δ	Inlet	56
		W/(L/s)	0.18	0.21	0.23	0.26	0.30	-	-						Outlet	58
	740	m ³ /s	3.551	3.203	2.788	2.232	-	-	-	28.0		0.600	1.28	Y	Inlet	52
		W/(L/s)	0.15	0.18	0.21	0.27	-	-	-						Outlet	54
SCP800/6/8-3AC	885	m ³ /s	5.611	5.199	4.719	4.154	-	-	-	34.2	40	0.990	2.35	Δ	Inlet	60
		W/(L/s)	0.17	0.19	0.21	0.24	-	-	-						Outlet	63
	705	m ³ /s	4.535	3.922	3.199	-	-	-	-	14.5		1.170	0.64	Y	Inlet	53
		W/(L/s)	0.25	0.30	0.37	-	-	-	-						Outlet	51

Data provided is at standard air density of 1.2 kg/m³.

ErP data in accordance with Regulation (EU) 327/2011. Measurement category used to determine energy efficiency: A. Peak Amps @ 400V / 3PH / 50Hz.

The overall A-weighted sound pressure level is at a distance of 3m with spherical free-field propagation. It is expressed in dB re-20μPa and is presented for comparative purposes only.

COMPACT SCP



Performance, SFP & Electrical Data

Single Phase 220V to 277V / 50Hz or 60Hz

Product Code	Control Voltage V	Speed r/min	Airflow SFP	Airflow m³/s @ Static Pressure Pa						At Best Efficiency Point			Electrical Data		dBA @ 3m	
				0	25	50	75	100	150	200	Overall Eff %	FMEG N	Input kW	Peak Amps		
SCP250-1EC	10	1795	m³/s	0.241	0.218	0.191	0.161	-	-	-	26.3	<125W	0.058	0.53	Inlet	45
			W/(L/s)	0.19	0.22	0.27	0.35	-	-	-					Outlet	44
	8	1410	m³/s	0.187	0.158	0.113	-	-	-	-	18.7		0.036	0.36	Inlet	40
			W/(L/s)	0.17	0.21	0.32	-	-	-	-					Outlet	40
	5	800	m³/s	0.103	-	-	-	-	-	-	7.5		0.016	0.18	Inlet	30
			W/(L/s)	0.14	-	-	-	-	-	-					Outlet	31
SCP315-1EC	10	1800	m³/s	0.515	0.486	0.450	0.404	0.347	-	-	37.6	<125W	0.110	1.03	Inlet	52
			W/(L/s)	0.16	0.18	0.21	0.25	0.32	-	-					Outlet	52
	8	1410	m³/s	0.402	0.371	0.324	-	-	-	-	33.5		0.061	0.65	Inlet	45
			W/(L/s)	0.12	0.15	0.19	-	-	-	-					Outlet	45
	5	795	m³/s	0.226	-	-	-	-	-	-	17.4		0.021	0.24	Inlet	34
			W/(L/s)	0.08	-	-	-	-	-	-					Outlet	33
	2	250	m³/s	0.065	-	-	-	-	-	-	1.3		0.007	0.11	Inlet	29
			W/(L/s)	0.11	-	-	-	-	-	-					Outlet	26
SCP350-1EC	10	1780	m³/s	0.756	0.718	0.677	0.631	0.573	-	-	41.6	52	0.177	1.54	Inlet	56
			W/(L/s)	0.17	0.19	0.22	0.25	0.29	-	-					Outlet	55
	8	1410	m³/s	0.594	0.541	0.485	0.415	-	-	-	38.4		0.096	0.83	Inlet	49
			W/(L/s)	0.12	0.14	0.18	0.23	-	-	-					Outlet	49
	5	795	m³/s	0.333	0.218	-	-	-	-	-	23.6		0.028	0.29	Inlet	41
			W/(L/s)	0.07	0.13	-	-	-	-	-					Outlet	38
	2	240	m³/s	0.100	-	-	-	-	-	-	2.5		0.007	0.10	Inlet	40
			W/(L/s)	0.07	-	-	-	-	-	-					Outlet	35
SCP400-1EC	10	1780	m³/s	1.141	1.092	1.042	0.988	0.927	0.751	-	47.2	57	0.262	2.61	Inlet	60
			W/(L/s)	0.16	0.18	0.21	0.23	0.26	0.36	-					Outlet	59
	8	1410	m³/s	0.869	0.821	0.766	0.695	0.562	-	-	45.6		0.143	1.42	Inlet	54
			W/(L/s)	0.11	0.13	0.16	0.20	0.26	-	-					Outlet	52
	5	795	m³/s	0.497	0.381	-	-	-	-	-	28.7		0.035	0.38	Inlet	44
			W/(L/s)	0.06	0.09	-	-	-	-	-					Outlet	41
	2	265	m³/s	0.159	-	-	-	-	-	-	4.0		0.007	0.11	Inlet	39
			W/(L/s)	0.04	-	-	-	-	-	-					Outlet	38
SCP450-1EC	10	1800	m³/s	2.038	1.978	1.912	1.838	1.754	1.544	1.263	65.0	73	0.424	3.99	Inlet	60
			W/(L/s)	0.14	0.16	0.18	0.19	0.21	0.26	0.35					Outlet	60
	8	1410	m³/s	1.558	1.489	1.412	1.322	1.206	-	-	62.3		0.230	2.11	Inlet	53
			W/(L/s)	0.09	0.11	0.13	0.15	0.18	-	-					Outlet	53
	5	800	m³/s	0.904	0.743	-	-	-	-	-	47.2		0.056	0.58	Inlet	44
			W/(L/s)	0.05	0.07	-	-	-	-	-					Outlet	43
	2	215	m³/s	0.278	-	-	-	-	-	-	7.0		0.011	0.14	Inlet	42
			W/(L/s)	0.04	-	-	-	-	-	-					Outlet	41

Data provided is at standard air density of 1.2 kg/m³.
ErP data in accordance with Regulation (EU) 327/2011. Measurement category used to determine energy efficiency: A.
A variable speed drive is integrated within the fan.
Peak Amps @ 230V / 1PH / 50Hz.
The overall A-weighted sound pressure level is at a distance of 3m with spherical free-field propagation. It is expressed in dB re-20µPa and is presented for comparative purposes only.

COMPACT SCP



Performance, SFP & Electrical Data

Single Phase 220V to 277V / 50Hz or 60Hz

Product Code	Control Voltage V	Speed r/min	Airflow SFP	Airflow m³/s @ Static Pressure Pa											At Best Efficiency Point			Electrical Data		dBA @ 3m	
				0	25	50	75	100	150	200	250	300	350	400	Overall Eff %	FMEG N	Input kW	Peak Amps			
SCP500-1EC	10	1800	m³/s	2.219	2.150	2.079	2.007	1.932	1.765	1.543	-	-	-	-	53.4	61	0.639	5.29	Inlet	63	
			W/(L/s)	0.19	0.21	0.24	0.26	0.28	0.34	0.41	-	-	-	-					Outlet	63	
	8	1420	m³/s	1.742	1.662	1.561	1.456	1.356	-	-	-	-	-	54.4	0.332		2.84	Inlet	58		
			W/(L/s)	0.13	0.15	0.17	0.20	0.23	-	-	-	-	-					Outlet	57		
	5	800	m³/s	0.969	0.823	-	-	-	-	-	-	-	-	45.0	0.076		0.78	Inlet	44		
			W/(L/s)	0.06	0.08	-	-	-	-	-	-	-	-					Outlet	43		
	2	245	m³/s	0.294	-	-	-	-	-	-	-	-	-	10.7	0.009		0.13	Inlet	32		
			W/(L/s)	0.03	-	-	-	-	-	-	-	-	-					Outlet	31		
SCP560-1EC	10	1810	m³/s	2.983	2.892	2.804	2.716	2.626	2.434	2.203	1.823	-	-	54.3	60	0.932	7.55	Inlet	67		
			W/(L/s)	0.21	0.23	0.25	0.28	0.30	0.35	0.42	0.51	-	-					Outlet	67		
	8	1420	m³/s	2.350	2.226	2.115	2.001	1.871	1.457	-	-	-	-	54.7		0.449	3.93	Inlet	60		
			W/(L/s)	0.14	0.16	0.18	0.20	0.23	0.31	-	-	-	-					Outlet	60		
	5	805	m³/s	1.315	1.116	0.843	-	-	-	-	-	-	-	49.3		0.099	0.92	Inlet	47		
			W/(L/s)	0.06	0.08	0.12	-	-	-	-	-	-	-					Outlet	47		
	2	250	m³/s	0.401	-	-	-	-	-	-	-	-	-	12.3		0.010	0.14	Inlet	31		
			W/(L/s)	0.02	-	-	-	-	-	-	-	-	-					Outlet	32		
SCP630-1EC	10	1800	m³/s	4.161	4.057	3.950	3.838	3.723	3.473	3.191	2.848	2.344	-	58.3	63	1.341	10.45	Inlet	66		
			W/(L/s)	0.22	0.24	0.26	0.28	0.30	0.35	0.40	0.47	0.57	-					Outlet	69		
	8	1415	m³/s	3.283	3.143	3.003	2.857	2.700	2.309	1.435	-	-	-	59.3		0.656	5.38	Inlet	64		
			W/(L/s)	0.14	0.16	0.18	0.20	0.22	0.28	0.43	-	-	-					Outlet	62		
	5	805	m³/s	1.843	1.600	1.266	-	-	-	-	-	-	-	54.2		0.136	1.26	Inlet	50		
			W/(L/s)	0.05	0.08	0.11	-	-	-	-	-	-	-					Outlet	49		
	2	250	m³/s	0.542	-	-	-	-	-	-	-	-	-	17.8		0.012	0.15	Inlet	33		
			W/(L/s)	0.02	-	-	-	-	-	-	-	-	-					Outlet	32		
SCP710-1EC	10	1555	m³/s	4.798	4.642	4.485	4.323	4.151	3.754	3.231	2.568	1.964	1.462	0.922	51.6	57	1.364	9.98	Inlet	71	
			W/(L/s)	0.22	0.23	0.25	0.27	0.29	0.34	0.42	0.54	0.71	0.95	1.53					Outlet	71	
	8	1240	m³/s	3.609	3.430	3.216	2.952	2.624	1.826	1.078	0.403	-	-	-	49.5		0.623	5.40	Inlet	66	
			W/(L/s)	0.13	0.15	0.17	0.20	0.23	0.34	0.59	1.70	-	-	-					Outlet	66	
	5	720	m³/s	2.079	1.695	1.070	0.416	-	-	-	-	-	-	-	44.6		0.140	1.35	Inlet	53	
			W/(L/s)	0.05	0.08	0.13	0.36	-	-	-	-	-	-	-					Outlet	52	
	2	200	m³/s	0.549	-	-	-	-	-	-	-	-	-	-	11.8		0.011	0.15	Inlet	32	
			W/(L/s)	0.02	-	-	-	-	-	-	-	-	-	-					Outlet	32	

Data provided is at standard air density of 1.2 kg/m³.
 ErP data in accordance with Regulation (EU) 327/2011. Measurement category used to determine energy efficiency: A.
 A variable speed drive is integrated within the fan.
 Peak Amps @ 230V / 1PH / 50Hz.
 The overall A-weighted sound pressure level is at a distance of 3m with spherical free-field propagation. It is expressed in dB re-20µPa and is presented for comparative purposes only.

COMPACT SCP



Sound Data

Single Phase 220V to 240V / 50Hz

Product Code	Speed r/min		Sound Power Level dBW @ Octave Band Hz								Total dB
			63Hz	125Hz	250Hz	500Hz	1kHz	2kHz	4kHz	8kHz	
SCP250/4-1AC	1445	Inlet	58	65	70	57	52	48	49	49	72
		Outlet	60	67	69	56	52	49	50	50	72
SCP315/4-1AC	1370	Inlet	67	72	78	66	61	56	51	46	80
		Outlet	68	74	76	66	61	57	53	50	79
SCP350/4-1AC	1360	Inlet	68	79	76	67	61	58	54	49	81
		Outlet	70	80	76	65	62	59	54	51	82
SCP400/4-1AC	1365	Inlet	54	59	70	67	62	67	54	51	74
		Outlet	58	67	65	69	60	66	52	49	73
SCP450/4-1AC	1365	Inlet	63	74	68	66	66	66	60	49	77
		Outlet	63	72	67	65	66	64	59	50	75
SCP500/4-1AC	1300	Inlet	73	80	82	77	71	69	65	60	85
		Outlet	74	80	81	74	70	70	67	64	85
SCP560/4-1AC	1315	Inlet	77	78	77	75	72	71	69	64	84
		Outlet	76	82	81	83	73	71	67	63	88
SCP630/4-1AC	1295	Inlet	72	77	80	79	78	76	76	71	86
		Outlet	76	81	81	82	81	77	73	69	88

Data provided at standard air density of 1.2 kg/m³.
 Tests and preparation of the sound data have been carried out in accordance with BS 848 Part 2:1985 at 50% peak pressure.
 The Sound Power Level Spectra are in dB re-1pW.

COMPACT SCP



Sound Data

Three Phase 380V to 415V / 50Hz

Product Code	Speed r/min		Sound Power Level dBW @ Octave Band Hz								Total dB
			63Hz	125Hz	250Hz	500Hz	1kHz	2kHz	4kHz	8kHz	
SCP250/4-3AC	1460	Inlet	58	65	70	57	52	48	49	49	72
		Outlet	60	67	69	56	52	49	50	50	72
SCP315/4-3AC	1445	Inlet	67	72	78	66	61	56	51	46	80
		Outlet	68	74	76	66	61	57	53	50	79
SCP350/4-3AC	1440	Inlet	68	79	76	67	61	58	54	49	81
		Outlet	70	80	76	65	62	59	54	51	82
SCP400/4-3AC	1400	Inlet	69	70	66	67	68	65	60	53	76
		Outlet	71	80	77	72	70	66	63	59	83
SCP450/4-3AC	1390	Inlet	72	72	71	69	69	67	63	55	78
		Outlet	79	82	80	76	71	69	65	57	86
SCP450/4B-3AC	1375	Inlet	72	72	71	69	69	67	63	55	78
		Outlet	79	82	80	76	71	69	65	57	86
SCP500/4-3AC	1405	Inlet	75	78	77	72	71	72	70	61	83
		Outlet	78	81	80	80	75	72	69	63	86
SCP500/6-3AC	930	Inlet	67	71	67	68	65	65	59	47	76
		Outlet	74	74	72	69	67	65	58	50	79
SCP560/4-3AC	1410	Inlet	79	80	79	77	74	73	71	66	86
		Outlet	78	84	83	85	75	73	69	65	90
SCP560/6-3AC	880	Inlet	70	75	72	74	69	67	58	50	80
		Outlet	75	81	80	72	69	68	64	57	85
SCP630/4-3AC	1420	Inlet	74	80	79	81	80	78	78	73	88
		Outlet	78	83	83	84	83	79	75	71	90
SCP630/6-3AC	915	Inlet	72	76	71	75	71	67	63	51	81
		Outlet	71	78	81	74	71	69	65	57	84
SCP710/4/6-3AC	1346	Inlet	68	73	73	77	76	76	75	69	83
		Outlet	65	74	76	78	76	76	75	70	84
	1114	Inlet	78	82	81	79	81	81	81	78	89
		Outlet	77	82	84	82	82	83	82	80	91
SCP710/6/8-3AC	900	Inlet	64	68	66	72	71	70	66	63	78
		Outlet	65	71	71	74	74	72	68	65	80
	740	Inlet	60	63	61	69	67	66	63	57	74
		Outlet	61	66	66	71	69	68	65	60	76
SCP800/6/8-3AC	885	Inlet	69	72	69	75	75	74	72	68	82
		Outlet	71	75	72	78	78	78	75	71	85
	705	Inlet	66	69	72	69	67	67	64	61	77
		Outlet	65	67	69	67	65	65	62	58	75

Data provided at standard air density of 1.2 kg/m³.
 Tests and preparation of the sound data have been carried out in accordance with BS 848 Part 2:1985 at 50% peak pressure.
 The Sound Power Level Spectra are in dB re-1pW.

COMPACT SCP



Sound Data

Single Phase 220V to 277V / 50Hz or 60Hz

Product Code	Control Voltage V		Sound Power Level dBW @ Octave Band Hz								Total dB	
			63Hz	125Hz	250Hz	500Hz	1kHz	2kHz	4kHz	8kHz		
SCP250-1EC	10	Inlet	53	60	66	61	61	58	52	49	69	
		Outlet	54	62	63	62	60	58	52	49	69	
	8	Inlet	51	56	61	55	57	54	47	44	65	
		Outlet	54	62	63	55	55	53	46	43	67	
	5	Inlet	46	50	47	46	43	45	39	38	55	
		Outlet	53	60	47	42	43	47	40	39	61	
SCP315-1EC	10	Inlet	62	68	67	70	69	65	61	58	76	
		Outlet	60	64	67	70	69	65	61	59	75	
	8	Inlet	56	62	65	61	61	59	54	51	69	
		Outlet	55	62	66	62	60	59	54	52	70	
	5	Inlet	51	59	50	48	49	50	40	39	61	
		Outlet	54	55	51	48	49	47	39	38	60	
	2	Inlet	40	37	32	33	34	48	34	34	29	
		Outlet	42	38	34	33	35	44	36	35	26	
	SCP350-1EC	10	Inlet	57	69	73	74	71	69	64	62	79
			Outlet	60	67	70	72	71	69	65	64	78
8		Inlet	56	68	67	66	64	64	58	55	73	
		Outlet	59	64	67	66	65	63	59	56	73	
5		Inlet	58	67	56	52	53	58	41	39	68	
		Outlet	59	65	55	52	54	54	42	40	67	
2		Inlet	46	45	41	42	49	59	39	38	40	
		Outlet	44	45	36	41	49	53	38	37	35	
SCP400-1EC		10	Inlet	61	72	77	78	76	72	69	66	83
			Outlet	63	74	78	76	76	72	68	67	83
	8	Inlet	60	69	71	73	68	67	63	60	77	
		Outlet	60	64	72	68	68	66	62	60	76	
	5	Inlet	50	65	66	57	56	60	52	48	70	
		Outlet	60	63	60	56	55	57	48	45	67	
	2	Inlet	41	47	47	44	50	58	41	40	39	
		Outlet	53	57	46	42	49	56	43	42	38	
	SCP450-1EC	10	Inlet	62	79	83	78	74	73	70	68	86
			Outlet	62	74	78	77	74	72	71	70	83
8		Inlet	60	76	70	69	67	67	64	62	79	
		Outlet	58	72	71	69	68	67	65	63	77	
5		Inlet	63	64	59	55	59	61	50	47	69	
		Outlet	63	60	58	55	60	58	50	47	68	
2		Inlet	43	56	47	44	59	59	41	38	42	
		Outlet	46	53	49	46	60	55	42	39	41	

Data provided at standard air density of 1.2 kg/m³.
 Tests and preparation of the sound data have been carried out in accordance with BS 848 Part 2:1985 at 50% peak pressure.
 The Sound Power Level Spectra are in dB re-1pW.

COMPACT SCP



Sound Data

Single Phase 220V to 277V / 50Hz or 60Hz

Product Code	Control Voltage V		Sound Power Level dBW @ Octave Band Hz								Total dB
			63Hz	125Hz	250Hz	500Hz	1kHz	2kHz	4kHz	8kHz	
SCP500-1EC	10	Inlet	65	77	81	80	77	76	74	71	86
		Outlet	66	75	80	81	77	75	73	71	86
	8	Inlet	61	83	82	73	71	70	68	64	86
		Outlet	62	75	80	73	71	70	67	64	83
	5	Inlet	66	64	59	59	61	59	52	47	70
		Outlet	62	63	60	58	59	57	51	47	68
	2	Inlet	63	51	43	42	50	47	39	38	32
		Outlet	68	51	38	40	47	46	39	37	31
SCP560-1EC	10	Inlet	68	80	86	83	82	79	77	76	90
		Outlet	75	79	84	84	82	79	77	76	90
	8	Inlet	64	84	79	76	75	73	72	69	87
		Outlet	69	80	79	77	74	73	71	69	85
	5	Inlet	71	68	64	61	63	62	57	52	74
		Outlet	70	65	64	61	62	62	57	53	73
	2	Inlet	45	46	46	42	49	46	38	36	31
		Outlet	47	43	42	44	50	46	38	35	32
SCP630-1EC	10	Inlet	65	84	82	84	81	79	76	75	90
		Outlet	71	77	84	87	84	82	79	79	91
	8	Inlet	63	89	80	81	78	77	74	72	91
		Outlet	64	80	81	79	77	75	73	73	86
	5	Inlet	74	69	67	65	64	66	61	56	77
		Outlet	70	71	67	64	63	64	60	57	76
	2	Inlet	48	48	50	45	50	47	41	40	33
		Outlet	48	46	45	40	48	49	41	39	32
SCP710-1EC	10	Inlet	71	89	86	86	87	85	83	80	94
		Outlet	71	84	87	85	86	86	83	82	93
	8	Inlet	66	84	81	81	82	80	78	75	89
		Outlet	66	79	82	80	81	81	78	77	88
	5	Inlet	76	74	66	67	69	67	63	57	80
		Outlet	73	70	67	67	68	67	63	58	77
	2	Inlet	51	47	45	43	48	49	38	35	32
		Outlet	45	46	47	44	48	48	42	38	32

Data provided at standard air density of 1.2 kg/m³.
 Tests and preparation of the sound data have been carried out in accordance with BS 848 Part 2:1985 at 50% peak pressure.
 The Sound Power Level Spectra are in dB re-1pW.

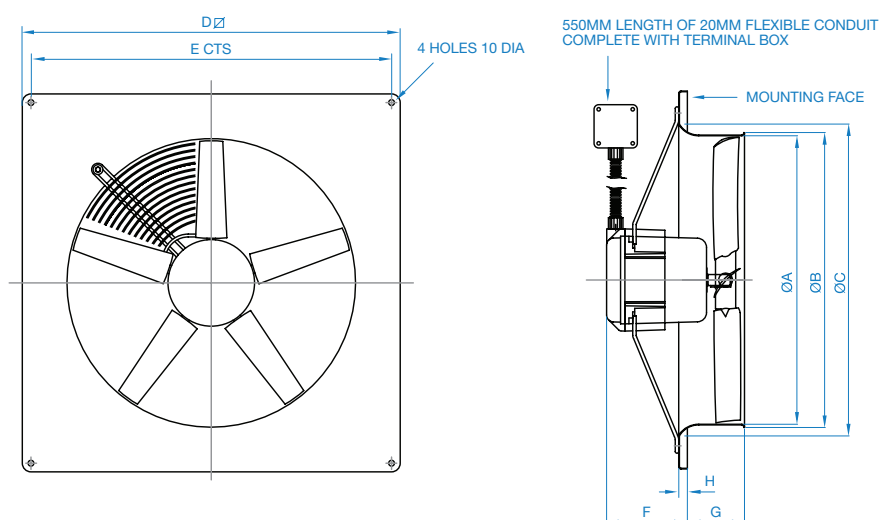
COMPACT SCP



Dimensional Data

Single & Three Phase

Product Code	A	B	C	D	E	F	G	H	Weight kg	
									1PH	3PH
SCP250/4-1AC	250	261	275	370	320	95	75	15	5	-
SCP250/4-3AC	250	261	275	370	320	95	75	15	-	7
SCP315/4-1AC	315	326	360	430	380	104	75	15	6	-
SCP315/4-3AC	315	326	360	430	380	104	75	15	-	7
SCP350/4-1AC	350	361	395	485	435	95	75	15	6	-
SCP350/4-3AC	350	361	395	485	435	95	75	15	-	8
SCP400/4-1AC	400	411	450	540	490	97	95	15	13	-
SCP400/4-3AC	400	411	450	540	490	97	95	15	-	13
SCP450/4-1AC	450	461	500	575	535	95	95	15	14	-
SCP450/4-3AC	450	461	500	575	535	95	95	15	-	14
SCP450/4B-3AC	450	461	500	575	535	95	90	15	-	14
SCP500/4-1AC	500	512	560	655	615	89	90	15	16	-
SCP500/4-3AC	500	512	560	655	615	147	100	15	-	20
SCP500/6-3AC	500	512	560	655	615	147	100	15	-	20
SCP560/4-1AC	560	577	620	725	670	149	100	20	24	-
SCP560/4-3AC	560	577	620	725	670	149	100	20	-	24
SCP560/6-3AC	560	577	620	725	670	141	100	20	-	24
SCP630/4-1AC	630	647	700	805	750	141	105	20	24	-
SCP630/4-3AC	630	647	700	805	750	141	105	20	-	30
SCP630/6-3AC	630	647	700	805	750	141	105	20	-	30
SCP710/4/6-3AC	710	725	765	850	810	143	103	27	-	30
SCP710/6/8-3AC	710	725	765	850	810	143	103	27	-	30
SCP800/6/8-3AC	800	817	880	973	910	146	105	28	-	36



Dimensions are in mm.

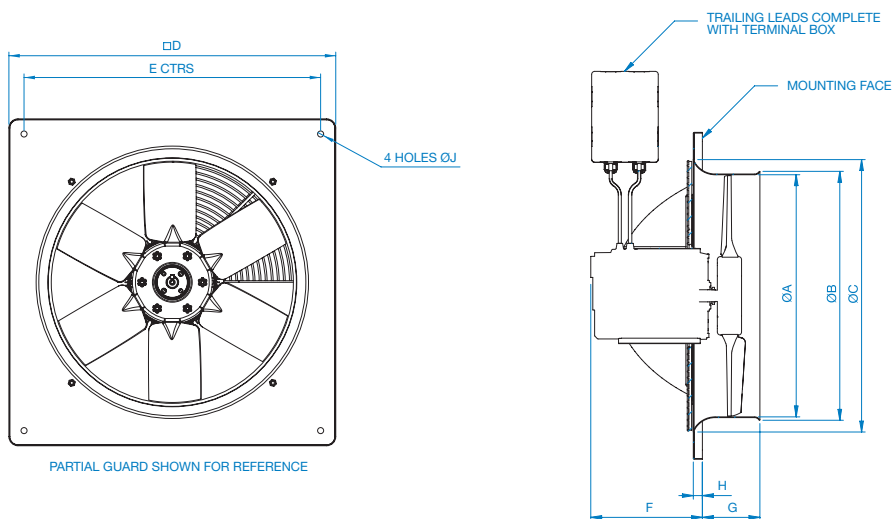
COMPACT SCP



Dimensional Data

Single Phase

Product Code	A	B	C	D	E	F	G	H	J	Weight kg
SCP250-1EC	250	261	275	370	320	197	75	15	7	10
SCP315-1EC	315	326	360	430	380	201	75	15	10	11
SCP350-1EC	350	361	395	485	435	194	75	15	10	11
SCP400-1EC	400	411	450	540	490	170	95	15	10	13
SCP450-1EC	450	461	500	575	535	198	95	15	10	15
SCP500-1EC	500	512	560	655	655	231	100	15	10	21
SCP560-1EC	560	577	620	725	670	247	100	15	10	24
SCP630-1EC	630	647	700	805	750	251	105	20	10	27
SCP710-1EC	710	725	765	850	810	241	103	27	10	29



Dimensions are in mm.

COMPACT SCP

Accessories



Single Phase

Product Code	Transformer Controller	Louvre Shutter	Impeller Side Guard	Wall Cowl	Wiring Diagram
SCP250/4-1AC	149-TC12	064-0250-C	078-0250-C	SWC25/31	152-500
SCP315/4-1AC	149-TC12	064-0315-C	078-0315-C	SWC25/31	152-500
SCP350/4-1AC	149-TC12	064-0350-C	078-0350-C	SWC35/40	152-500
SCP400/4-1AC	149-TC12	064-0400-C	078-0400-C	SWC35/40	152-500
SCP450/4-1AC	149-TC14	064-0450-C	078-0450-C	SWC45/50	152-500
SCP500/4-1AC	149-TC18	064-0500-C	078-0500-C	SWC45/50	152-500
SCP560/4-1AC	149-TC18	064-0560-C	078-0560-C	SWC56/63	152-500
SCP630/4-1AC	-	064-0630-C	078-0630-C	SWC56/63	152-500

COMPACT SCP

Accessories



Three Phase

Product Code	Transformer Controller	Eltadrive Variable Speed Drive 1PH-3PH IP66	Eltadrive Variable Speed Drive 3PH-3PH IP66	Impeller Side Guard
SCP250/4-3AC	149-TC33	149-ODE3-12037-1KB1B	149-ODE3-14075-3KA1B	078-0250-C
SCP315/4-3AC	149-TC33	149-ODE3-12037-1KB1B	149-ODE3-14075-3KA1B	078-0315-C
SCP350/4-3AC	149-TC33	149-ODE3-12037-1KB1B	149-ODE3-14075-3KA1B	078-0350-C
SCP400/4-3AC	149-TC33	149-ODE3-12037-1KB1B	149-ODE3-14075-3KA1B	078-0400-C
SCP450/4-3AC	149-TC33	149-ODE3-12037-1KB1B	149-ODE3-14075-3KA1B	078-0450-C
SCP450/4B-3AC	149-TC33	149-ODE3-12037-1KB1B	149-ODE3-14075-3KA1B	078-0450-C
SCP500/4-3AC	149-TC33	149-ODE3-12075-1KB1B	149-ODE3-14075-3KA1B	078-0500-C
SCP500/6-3AC	149-TC33	-	149-ODE3-14075-3KA1B	078-0500-C
SCP560/4-3AC	149-TC310	149-ODE3-12075-1KB1B	149-ODE3-14075-3KA1B	078-0560-C
SCP560/6-3AC	149-TC310	-	149-ODE3-14075-3KA1B	078-0560-C
SCP630/4-3AC	149-TC310	149-ODE3-12150-1KB1B	149-ODE3-14150-3KA1B	078-0630-C
SCP630/6-3AC	149-TC310	-	149-ODE3-14075-3KA1B	078-0630-C
SCP710/4/6-3AC	149-TC310	-	149-ODE3-24220-3KA4B	078-0710-C
SCP710/6/8-3AC	149-TC310	-	149-ODE3-14075-3KA1B	078-0710-C
SCP800/6/8-3AC	149-TC310	-	149-ODE3-14075-3KA1B	078-0800-C

Three Phase

Product Code	Louvre Shutter	Wall Cowl	Wiring Diagram
SCP250/4-3AC	064-0250-C	SWC25/31	152-611
SCP315/4-3AC	064-0315-C	SWC25/31	152-611
SCP350/4-3AC	064-0350-C	SWC35/40	152-611
SCP400/4-3AC	064-0400-C	SWC35/40	152-611
SCP450/4-3AC	064-0450-C	SWC45/50	152-611
SCP450/4B-3AC	064-0450-C	SWC45/50	152-611
SCP500/4-3AC	064-0500-C	SWC45/50	152-611
SCP500/6-3AC	064-0500-C	SWC45/50	152-608
SCP560/4-3AC	064-0560-C	SWC56/63	152-611
SCP560/6-3AC	064-0560-C	SWC56/63	152-608
SCP630/4-3AC	064-0630-C	SWC56/63	152-611
SCP630/6-3AC	064-0630-C	SWC56/63	152-608
SCP710/4/6-3AC	064-0710-C	-	152-614
SCP710/6/8-3AC	064-0710-C	-	152-614
SCP800/6/8-3AC	064-0800-C	-	152-614

COMPACT SCP

Accessories



Single Phase

Product Code	EC Electronic Controller	Impeller Side Guard	Louvre Shutter	Wall Cowl	Wiring Diagram
SCP250-1EC	149-POT-10-MI	078-0250-C	064-0250-C	SWC25/31	152-711
SCP315-1EC	149-POT-10 -MI	078-0315-C	064-0315-C	SWC25/31	152-711
SCP350-1EC	149-POT-10 -MI	078-0350-C	064-0350-C	SWC35/40	152-711
SCP400-1EC	149-POT-10-MI	078-0400-C	064-0400-C	SWC35/40	152-711
SCP450-1EC	149-POT-10-MI	078-0450-C	064-0450-C	SWC45/50	152-711
SCP500-1EC	149-POT-10-MI	078-0500-C	064-0500-C	SWC45/50	152-711
SCP560-1EC	149-POT-10-MI	078-0560-C	064-0560-C	SWC56/63	152-711
SCP630-1EC	149-POT-10 -MI	078-0630-C	064-0630-C	SWC56/63	152-711
SCP710-1EC	149-POT-10-MI	078-0710-C	064-0710-C	-	152-711



Building Services

Tel **+44 (0) 1384 275800**
Fax **+44 (0) 1384 275810**
Email **info@eltafans.co.uk**

46 Third Avenue, Pensnett Trading Estate, Kingswinford,
West Midlands, DY6 7US United Kingdom

Applied Technology & Building Services Export

Tel **+44 (0) 1489 566500**
Fax **+44 (0) 1489 566555**
Email **at@eltafans.co.uk / export@eltafans.co.uk**

17 Barnes Wallis Road, Segensworth East Industrial Estate,
Fareham, Hampshire, PO15 5ST United Kingdom

eltafans.com

SCP-03-2023 Issue F



BS EN ISO 9001:2015 FM 556465



A MEMBER OF ELTA GROUP