



SILENT DUAL

5210641000 - SILENT DUAL 200 (220-240V 50HZ) RE - BATHROOM EXTRACT FANS



Autonomous and intelligent extractor fan for bathrooms. It automatically adjusts its performance to the ambient conditions and ventilation requirements via a presence detection sensor and a humidity sensor.

SILENT DUAL incorporates an intelligent control algorithm to automatically adjust the settings according to the ambient conditions, without the need for user interaction. SILENT DUAL learns from its environment and operates accordingly.

AC motor commissioned to achieve the required flow rate, minimizing consumption and noise levels to meet the exact ventilation requirement.

Direct two-wire connection (L, N).
 220-240V50Hz, IP45, class II, with thermal protection.
 Working temperature -5/40
 Supplied with removable backdraft shutter
 Model SILENT DUAL 200 (220-240V 50HZ) RE.

Theoretical Working Point

Airflow	-
Static Pressure	0,000 N/m ²
Temperature	20 °C
Altitude	0 m
Density	1,2 kg/m ³
Frequency	50 Hz

Construction

Weight	1,40 kg
--------	---------

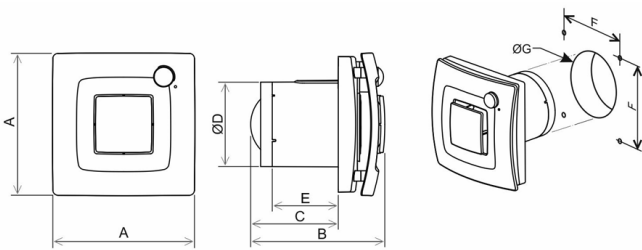
Motor Characteristics

Voltage	1-230V-50Hz
Maximum absorbed current	0,1 A
IP Rating	IP45
Motor insulation class	

Working Point

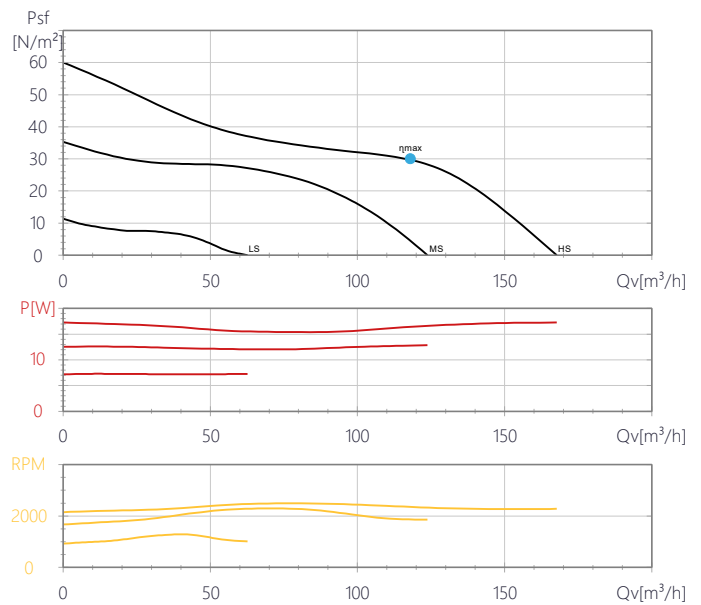
Fan speed	2280
-----------	------

Drawing



A	B	C	øD	E	F	øG
187	164	107.5	118	80	164.5	125

Performance Chart

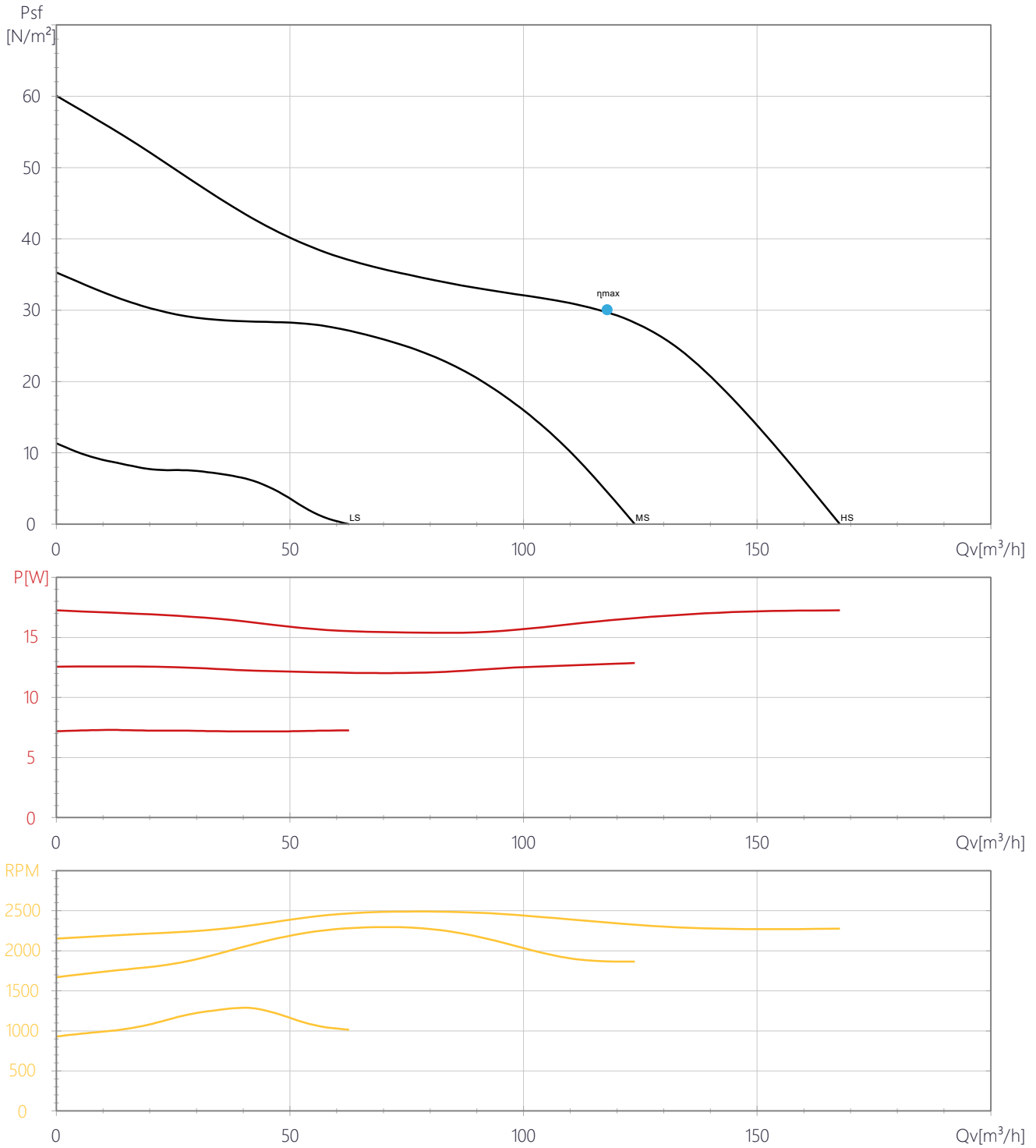




SILENT DUAL

5210641000 - SILENT DUAL 200 (220-240V 50HZ) RE - BATHROOM EXTRACT FANS

Performance Chart





SILENT DUAL

5210641000 - SILENT DUAL 200 (220-240V 50HZ) RE - BATHROOM EXTRACT FANS

Sound Performance

	63	125	250	500	1k	2k	4k	8k	Overall
Breakout (LwA)	26	33	42	48	49	50	42	29	54
Breakout LpA @ 1m	15	22	31	37	38	39	31	18	43

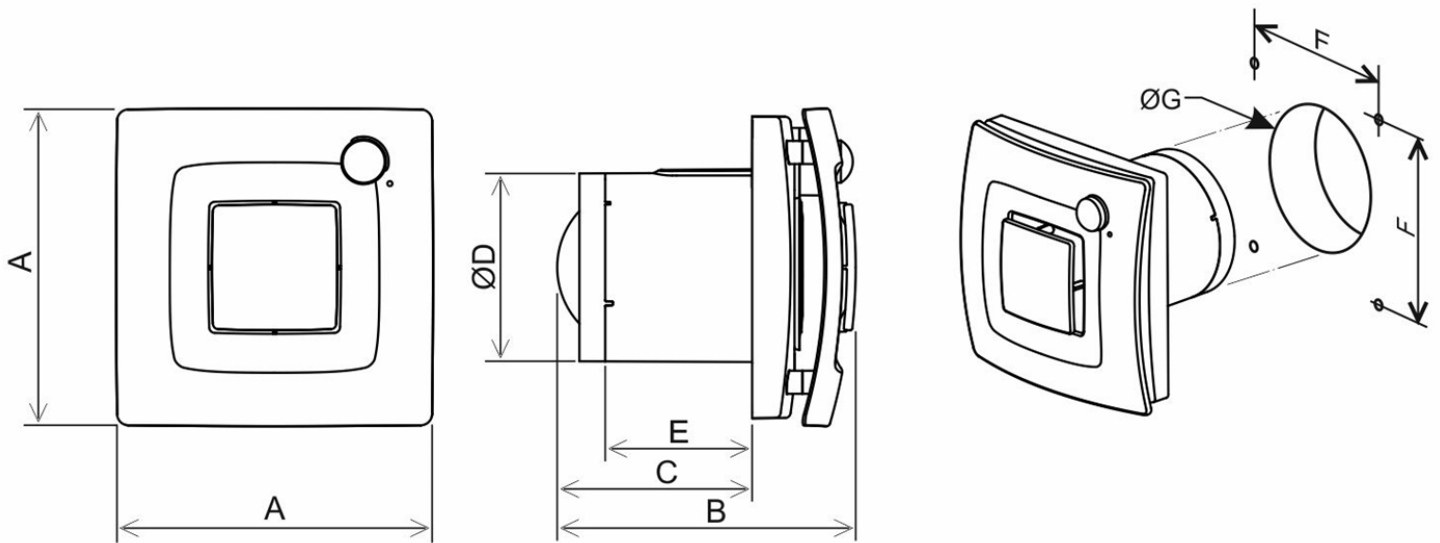




SILENT DUAL

5210641000 - SILENT DUAL 200 (220-240V 50HZ) RE - BATHROOM EXTRACT FANS

Drawing



A	B	C	ØD	E	F	ØG
187	164	107.5	118	80	164.5	125