



Autonomous and intelligent extractor fan for the bathroom.

It automatically adjusts its performance to the ambient conditions and ventilation requirements via a presence detection sensor and a humidity sensor.

SILENT DUAL incorporates an intelligent control algorithm to automatically adjust the settings according to the ambient conditions, without the need for user interaction.

SILENT DUAL learns from its environment (ambient conditions) and operates accordingly.

AC motor commissioned to achieve the required flow rate, minimizing consumption and noise levels to meet the exact ventilation requirement.

Direct two-wire connection (L, N).

- Supply: 220-240V 50Hz
- Working temperatures: -5°C / +40°C
- IP45 - Class II
- Thermal protection
- Removable backdraft shutter



AUTO %HR

PLUG&PLAY

DESIGNED FOR AN EASY INSTALLATION

OPERATION

SILENT DUAL

operates automatically when it detects movement or rises in humidity levels and activates a pre-set mode to achieve the lowest energy consumption and the lowest noise level.

NO PRESENCE DETECTION NO "HUMIDITY EVENT"

Instant RH < average ambient RH
NO detection.



OR



43% RPM

Depending on the configuration of the operating mode (intermittent or permanent)

PRESENCE DETECTION

Instant RH < average ambient RH
YES detection.



75% RPM



Temp 2' / 15'



43% RPM

SUDDEN CHANGE IN HUMIDITY

Instant RH > average ambient RH
"Sudden change"



100% RPM



43% RPM

SLIGHT CHANGE IN HUMIDITY

Instant RH > average ambient RH
"Smooth change"



43 -100% RPM



43% RPM

TECHNICAL CHARACTERISTICS

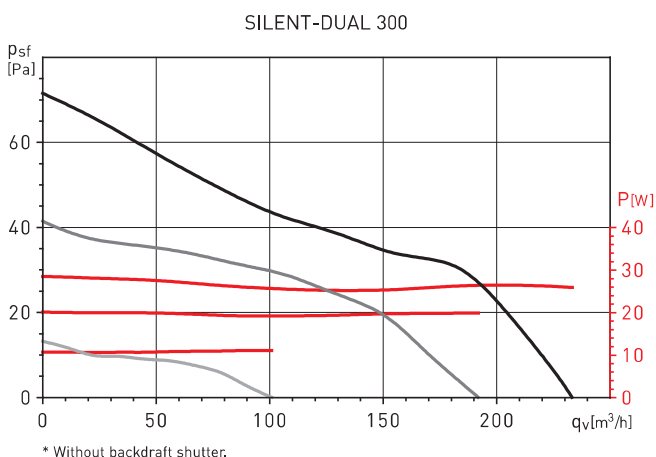
Model		Speed (rpm)	Maximum power absorbed (W)	Maximum current absorbed (A)	Maximum air volume (m³/h)	Sound pressure level (dB(A) @ 3m)
SILENT DUAL 300	BOOST	2120	26	0,16	235	37
	PIR+TIMER	1800	20	0,14	190	33
	CONTINUOUS	1010	11	0,11	100	<20

ACOUSTIC CHARACTERISTICS

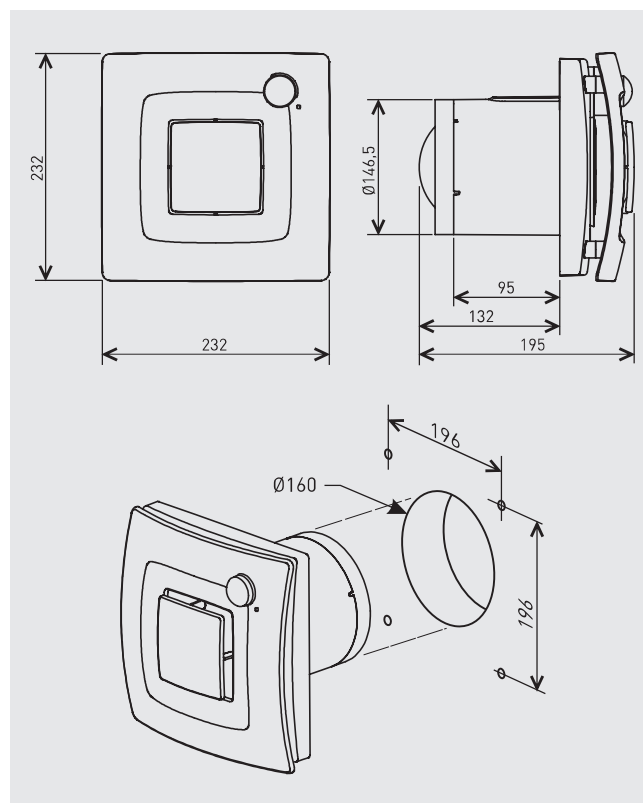
Model	63	125	250	500	1000	2000	4000	8000	LwA	LpA
BOOST	19	33	38	49	55	51	43	29	57	37
PIR+TIMER	16	29	34	45	51	47	40	26	53	33
CONTINUOUS	18	21	31	34	36	25	19	18	39	<20

Sound pressure level (LpA) measured at 3m in free field conditions.

PERFORMANCE CURVES



DIMENSIONS (mm)



ACCESSORIES



GSA-M0 100
Flexible aluminium ducting.



GRA-75
Aluminium exterior grille.



CX-80/125
Worm drive ducting clip.



PER-100W
Back draft shutter.