



# **SINGLEFLOW SSDL**

Centrifugal Box Fan

# SINGLEFLOW SSDL

## Product Overview

- 8 standard sizes from 100 mm to 500mm
- Air volume flow rates up to 1.820 m<sup>3</sup>/s
- Static pressures up to 910 Pa
- Suitable for operating temperatures up to +60°C
- Suitable for External Mounting
- Acoustically lined as standard
- Choice of Circular/ Rectangular Spigots
- Demand Control Option Available
- Available in **EC**

**Singleflow SSDL fans are suitable for external mounting. The range incorporates advanced backward curved impellers.**

### Easy Installation

All models are designed for direct connection to standard diameter flexible or rigid circular ducting with long spigots.

### Easy Commissioning

Integrated commissioning control allows single speed selection and also limits maximum speed if used with an external potentiometer.

### Efficient Performance

High efficiency low tonal noise backward curved centrifugal impellers are directly driven by an EC external rotor motor, provide low specific fan powers and stepless speed control without tonal noise generation.

### Controllability

EC motors provide precise speed control via potentiometer, BMS or Elta Fans DCV control. Reduced fan speeds can provide significant cost-savings through lower energy consumption in both mechanical energy of motors and also on the conditioning of replacement air.

### Construction

Robust 1.2mm galvanised mild steel sheet casing. The casing is specially manufactured using integral motor mounting plates to provide additional rigidity for the casings. Each casing provides spigots to suit standard circular ducting.

### Motor

EC external rotor motor fitted as standard. The IP44 motor contains sealed for life bearings. All motors are suitable for use in ambient air conditions up to +60°C.

### Impeller

High efficiency low tonal noise backward curved centrifugal impeller, dynamically balanced to ISO1940-1 and directly driven by the motor to provide a smooth airflow through the unit.

### Duct Connection Options

Can be supplied with rectangular outlet & inlet spigots on request.

### Electrical Connection Options

Electrical cable entry from either side for ease of electrical connection as standard (a terminal box pre-fitted to either side can be ordered).

### Warranty

Each SSDL has a 12 month warranty.

### Typical Applications

- Toilets
- Hotels
- Schools
- Colleges
- Libraries
- Kitchens
- Factories
- Industrial Units
- Warehousing
- Offices



## Contents

Page	Information
3	Performance Range Curves
4	Performance, SFP & Electrical Data
7	Sound Data
10	Dimensional Data
11	EcoDesign 1253/2014
11	Accessories
22	Notes

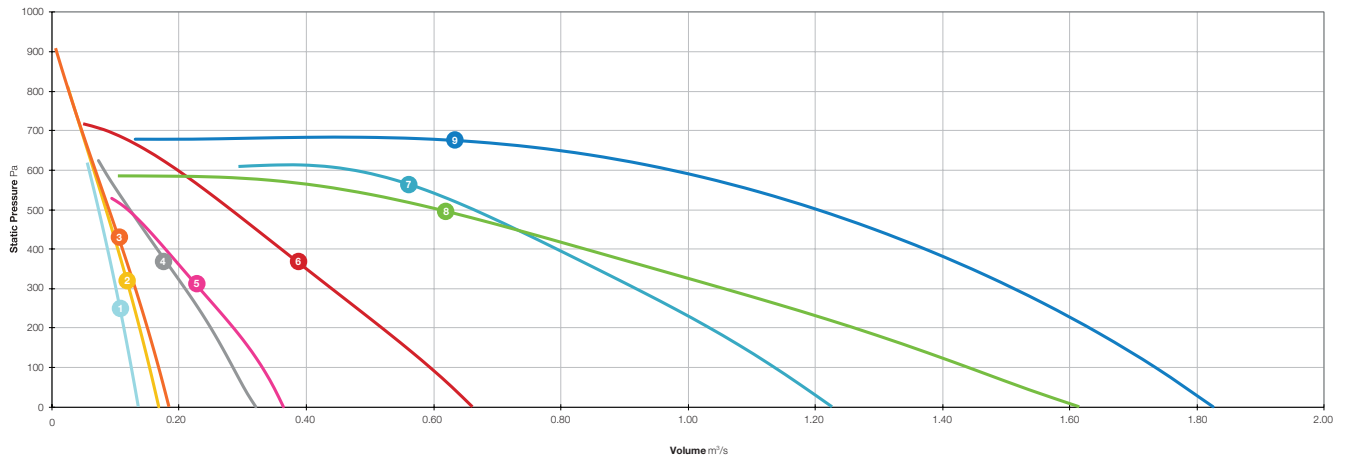
## Product Coding

Code	Reference
<b>SSDL</b>	Product Range
<b>200</b>	Diameter (200/250/315...)
-	
<b>1</b>	Voltage Supply (Single Phase / Three Phase)
<b>EC</b>	Motor Type (AC/EC)
<b>A - Z</b>	Additional Coding (A - Z) Product Variants
e.g.	<b>SSDL200-1EC</b> (Circular Spigot) <b>SSDL200-1EC-T</b> (Circular Spigot, Terminal Box) <b>SSDL200-1EC-DCV</b> (Circular Spigot, DCV) <b>SSDL200-1EC-R</b> (Rectangular Spigot) <b>SSDL200-1EC-RT</b> (Rectangular Spigot, Terminal Box) <b>SSDL200-1EC-R-DCV</b> (Rectangular Spigot, DCV)

# SINGLEFLOW SSDL



## Performance Range Curves



- 1 SSDL100 / 1EC
- 2 SSDL125 / 1EC
- 3 SSDL150 / 1EC

- 4 SSDL200 / 1EC
- 5 SSDL250 / 1EC
- 6 SSDL315 / 1EC

- 7 SSDL400 / 1EC
- 8 SSDL500 / 1EC
- 9 SSDL500 / 3EC

# SINGLEFLOW SSDL



## Performance, SFP & Electrical Data

Single Phase 220V to 240V / 50Hz or 60Hz

Product Code	Control Voltage V	Speed r/min	Airflow SFP	Airflow m³/s @ Static Pressure Pa											At Best Efficiency Point		Electrical Data		dBA @ 3m	
				0	25	50	75	100	150	200	250	300	350	400	500	Overall Eff %	Input kW	Peak Amps		
SSDL100-1EC	10	3665	m³/s	0.135	0.132	0.129	0.126	0.124	0.118	0.112	0.106	0.100	0.093	0.086	0.072	31.9	0.113	0.97	Inlet	54
			W/(L/s)	0.83	0.84	0.86	0.88	0.90	0.95	1.00	1.06	1.13	1.21	1.31	1.57				Outlet	56
	7.5	3205	m³/s	0.125	0.122	0.119	0.116	0.113	0.106	0.099	0.092	0.085	0.078	0.070	33.2	0.085	-	Inlet	51	
			W/(L/s)	0.65	0.66	0.68	0.70	0.72	0.76	0.81	0.88	0.96	1.07	1.21				-	Outlet	53
	5	2455	m³/s	0.096	0.092	0.088	0.083	0.079	0.070	0.061	0.051	0.040	27.4	0.046	-	Inlet	46			
			W/(L/s)	0.46	0.48	0.51	0.53	0.56	0.63	0.74	0.92	1.22				-	-	Outlet	47	
	2.5	1495	m³/s	0.058	0.051	0.044	0.036	-	-	-	-	-	-	-	24.6	0.012	-	Inlet	36	
			W / (L/s)	0.19	0.22	0.25	0.31											-	-	-
			m³/s	0.167	0.163	0.160	0.156	0.152	0.145	0.137	0.129	0.120	0.111	0.103	0.084	37.4	0.113	0.97	Inlet	53
			W/(L/s)	0.67	0.69	0.70	0.72	0.73	0.77	0.82	0.87	0.93	1.00	1.09	1.34				Outlet	54
SSDL125-1EC	10	3555	m³/s	0.167	0.163	0.160	0.156	0.152	0.145	0.137	0.129	0.120	0.111	0.103	0.084	37.4	0.113	0.97	Inlet	53
			W/(L/s)	0.67	0.69	0.70	0.72	0.73	0.77	0.82	0.87	0.93	1.00	1.09	1.34				Outlet	54
	7.5	3205	m³/s	0.155	0.151	0.147	0.143	0.139	0.131	0.122	0.112	0.103	0.093	0.082	0.062	40.2	0.082	-	Inlet	50
			W/(L/s)	0.52	0.54	0.55	0.57	0.58	0.62	0.66	0.72	0.79	0.88	1.00	1.42				Outlet	51
	5	2455	m³/s	0.119	0.114	0.108	0.103	0.097	0.085	0.072	0.059	0.045	0.032	33.0	0.045	-	Inlet	44		
			W/(L/s)	0.37	0.39	0.41	0.43	0.46	0.52	0.61	0.77	1.05	1.60				-	-	Outlet	45
	2.5	1495	m³/s	0.072	0.064	0.054	0.043	0.032	-	-	-	-	-	-	-	29.6	0.011	-	Inlet	34
			W/(L/s)	0.16	0.18	0.21	0.26	0.36											-	-
			m³/s	0.184	0.180	0.176	0.172	0.168	0.159	0.150	0.141	0.131	0.121	0.111	0.090	48.7	0.112	0.97	Inlet	51
			W/(L/s)	0.61	0.63	0.64	0.65	0.67	0.70	0.74	0.79	0.85	0.92	1.01	1.25				Outlet	52
SSDL150-1EC	10	3480	m³/s	0.184	0.180	0.176	0.172	0.168	0.159	0.150	0.141	0.131	0.121	0.111	0.090	48.7	0.112	0.97	Inlet	51
			W/(L/s)	0.61	0.63	0.64	0.65	0.67	0.70	0.74	0.79	0.85	0.92	1.01	1.25				Outlet	52
	7.5	3205	m³/s	0.171	0.167	0.163	0.158	0.154	0.144	0.134	0.123	0.112	0.100	0.088	0.065	43.6	0.082	-	Inlet	49
			W/(L/s)	0.47	0.49	0.50	0.51	0.53	0.56	0.61	0.66	0.72	0.81	0.92	1.33				Outlet	50
	5	2455	m³/s	0.131	0.126	0.120	0.114	0.107	0.093	0.078	0.063	0.048	0.034	0.021	35.8	0.045	-	Inlet	44	
			W/(L/s)	0.34	0.35	0.37	0.39	0.42	0.48	0.56	0.71	0.99	1.54	2.77				-	Outlet	44
	2.5	1225	m³/s	0.080	0.070	0.059	0.047	0.034	-	-	-	-	-	-	-	32.1	0.011	-	Inlet	33
			W/(L/s)	0.14	0.16	0.19	0.24	0.33											-	-
			m³/s	0.319	0.311	0.302	0.294	0.285	0.267	0.249	0.229	0.209	0.188	0.166	0.121	48.9	0.156	1.15	Inlet	54
			W/(L/s)	0.51	0.52	0.53	0.54	0.56	0.59	0.63	0.68	0.74	0.83	0.94	1.29				Outlet	55
SSDL200-1EC	10	2410	m³/s	0.319	0.311	0.302	0.294	0.285	0.267	0.249	0.229	0.209	0.188	0.166	0.121	48.9	0.156	1.15	Inlet	54
			W/(L/s)	0.51	0.52	0.53	0.54	0.56	0.59	0.63	0.68	0.74	0.83	0.94	1.29				Outlet	55
	7.5	2305	m³/s	0.268	0.263	0.258	0.252	0.247	0.234	0.219	0.202	0.184	0.162	0.135	43.7	0.130	-	Inlet	49	
			W/(L/s)	0.37	0.39	0.41	0.43	0.45	0.50	0.56	0.63	0.71	0.80	0.93				-	Outlet	50
	5	1540	m³/s	0.178	0.171	0.162	0.152	0.141	0.112	-	-	-	-	-	-	43.6	0.038	-	Inlet	42
			W/(L/s)	0.16	0.18	0.21	0.23	0.26	0.35										-	-
	2.5	770	m³/s	0.089	0.070	-	-	-	-	-	-	-	-	-	43.6	0.005	-	Inlet	23	
			W / (L/s)	0.04	0.07													-	-	-
			m³/s	0.319	0.311	0.302	0.294	0.285	0.267	0.249	0.229	0.209	0.188	0.166	0.121	48.9	0.156	1.15	Inlet	54
			W/(L/s)	0.51	0.52	0.53	0.54	0.56	0.59	0.63	0.68	0.74	0.83	0.94	1.29				Outlet	55

Data provided is at standard air density of 1.2 kg/m³.

ERP data in accordance with Regulation (EU) 1253/2014. Product category is NRVU. Measurement category used to determine energy efficiency: D.

Peak Amps @ 230V / 1PH / 50Hz.

A variable speed drive is integrated within the fan.

Tests and preparation of the sound data have been carried out in accordance with BS 848 Part 2:1985 at 50% peak pressure.

The overall A-weighted sound pressure level is at a distance of 3m with spherical free-field propagation. It is expressed in dB re-20µPa and is presented for comparative purposes only.

Silencer attenuation and pressure drop values calculated at 50% peak pressure.

# SINGLEFLOW SSDL



## Performance, SFP & Electrical Data

Single Phase 220V to 240V / 50Hz or 60Hz

Product Code	Control Voltage V	Speed r/min	Airflow SFP	Airflow m³/s @ Static Pressure Pa												At Best Efficiency Point		Electrical Data		dBA @ 3m	
				0	25	50	75	100	150	200	250	300	350	400	500	Overall Eff %	Input kW	Peak Amps			
SSDL250-1EC	10	2545	m³/s	0.363	0.355	0.347	0.339	0.329	0.309	0.284	0.258	0.231	0.204	0.178	0.119	42.3	0.167	1.15	Inlet	52	
			W/(L/s)	0.44	0.46	0.48	0.50	0.52	0.57	0.63	0.69	0.77	0.85	0.95	1.28				Outlet	53	
	7.5	2280	m³/s	0.304	0.297	0.290	0.283	0.275	0.259	0.242	0.222	0.199	0.171	0.116	-	42.6	0.141	-	Inlet	48	
			W/(L/s)	0.31	0.34	0.37	0.41	0.44	0.50	0.57	0.64	0.72	0.82	1.04	-				Outlet	49	
	5	1485	m³/s	0.198	0.187	0.176	0.163	0.149	0.110	-	-	-	-	-	-	43.7	0.038	-	Inlet	39	
			W/(L/s)	0.14	0.17	0.19	0.23	0.26	0.34	-	-	-	-	-	-				Outlet	39	
	2.5	710	m³/s	0.094	0.067	-	-	-	-	-	-	-	-	-	-	44.5	0.004	-	Inlet	20	
			W/(L/s)	0.03	0.06	-	-	-	-	-	-	-	-	-	-				Outlet	21	
			m³/s	0.094	0.067	-	-	-	-	-	-	-	-	-	-				Breakout	8	
			W/(L/s)	0.03	0.06	-	-	-	-	-	-	-	-	-	-				-		
SSDL315-1EC	10	2145	m³/s	0.660	0.645	0.628	0.611	0.593	0.556	0.518	0.478	0.438	0.399	0.359	0.280	39.8	0.405	1.62	Inlet	65	
			W/(L/s)	0.61	0.62	0.64	0.66	0.68	0.72	0.77	0.84	0.92	1.01	1.13	1.44				Outlet	62	
	7.5	1940	m³/s	0.580	0.566	0.551	0.535	0.519	0.483	0.442	0.398	0.351	0.303	0.256	0.163	37.1	0.322	-	Inlet	60	
			W/(L/s)	0.45	0.47	0.50	0.52	0.55	0.62	0.70	0.80	0.92	1.06	1.23	1.76				Outlet	61	
	5	1290	m³/s	0.387	0.365	0.340	0.311	0.279	0.209	0.140	0.057	-	-	-	-	38.4	0.095	-	Inlet	50	
			W/(L/s)	0.20	0.22	0.25	0.29	0.33	0.45	0.64	1.22	-	-	-	-				Outlet	48	
	2.5	645	m³/s	0.194	0.140	0.070	-	-	-	-	-	-	-	-	-	40.4	0.012	-	Inlet	36	
			W/(L/s)	0.05	0.08	0.16	-	-	-	-	-	-	-	-	-				Outlet	35	
			m³/s	0.194	0.140	0.070	-	-	-	-	-	-	-	-	-				Breakout	19	
			W/(L/s)	0.05	0.08	0.16	-	-	-	-	-	-	-	-	-				-		
SSDL400-1EC	10	1620	m³/s	1.226	1.204	1.182	1.159	1.136	1.087	1.034	0.977	0.918	0.856	0.794	0.664	50.0	0.754	5.19	Inlet	58	
			W/(L/s)	0.62	0.63	0.64	0.65	0.66	0.69	0.73	0.77	0.82	0.87	0.94	1.14				Outlet	60	
	7.5	1445	m³/s	1.054	1.036	1.018	0.998	0.977	0.932	0.881	0.823	0.754	0.667	0.530	-	45.0	0.537	-	Inlet	55	
			W/(L/s)	0.46	0.48	0.49	0.51	0.53	0.57	0.62	0.67	0.74	0.82	0.94	-				Outlet	55	
	5	960	m³/s	0.701	0.673	0.642	0.607	0.566	0.457	-	-	-	-	-	-	45.0	0.158	-	Inlet	47	
			W/(L/s)	0.20	0.22	0.24	0.26	0.29	0.35	-	-	-	-	-	-				Outlet	45	
	2.5	480	m³/s	0.350	0.283	-	-	-	-	-	-	-	-	-	-	45.0	0.020	-	Inlet	36	
			W/(L/s)	0.05	0.07	-	-	-	-	-	-	-	-	-	-				Outlet	35	
			m³/s	0.350	0.283	-	-	-	-	-	-	-	-	-	-				Breakout	25	
			W/(L/s)	0.05	0.07	-	-	-	-	-	-	-	-	-	-				-		
SSDL500-1EC	10	1310	m³/s	1.615	1.568	1.525	1.483	1.440	1.354	1.262	1.162	1.056	0.947	0.838	0.609	50.1	0.735	5.07	Inlet	53	
			W/(L/s)	0.46	0.47	0.48	0.50	0.51	0.54	0.58	0.63	0.69	0.77	0.88	1.21				Outlet	56	
	7.5	1225	m³/s	1.447	1.412	1.377	1.340	1.302	1.220	1.131	1.030	0.914	0.771	0.567	-	49.4	0.607	-	Inlet	52	
			W/(L/s)	0.38	0.40	0.42	0.44	0.46	0.51	0.56	0.61	0.69	0.78	0.95	-				Outlet	54	
	5	900	m³/s	1.041	0.998	0.954	0.906	0.854	0.725	0.498	-	-	-	-	-	44.5	0.247	-	Inlet	46	
			W/(L/s)	0.20	0.22	0.25	0.27	0.29	0.35	0.46	-	-	-	-	-				Outlet	47	
	2.5	560	m³/s	0.638	0.561	0.465	0.321	-	-	-	-	-	-	-	-	38.4	0.077	-	Inlet	33	
			W/(L/s)	0.12	0.13	0.16	0.24	-	-	-	-	-	-	-	-				Outlet	35	
			m³/s	0.638	0.561	0.465	0.321	-	-	-	-	-	-	-	-				Breakout	23	
			W/(L/s)	0.12	0.13	0.16	0.24	-	-	-	-	-	-	-	-				-		

Data provided is at standard air density of 1.2 kg/m³.  
 ERP data in accordance with Regulation (EU) 1253/2014. Product category is NRVU. Measurement category used to determine energy efficiency: D.  
 Peak Amps @ 230V / 1PH / 50Hz.

A variable speed drive is integrated within the fan.

Tests and preparation of the sound data have been carried out in accordance with BS 848 Part 2:1985 at 50% peak pressure.

The overall A-weighted sound pressure level is at a distance of 3m with spherical free-field propagation. It is expressed in dB re-20µPa and is presented for comparative purposes only.

Silencer attenuation and pressure drop values calculated at 50% peak pressure.

# SINGLEFLOW SSDL



## Performance, SFP & Electrical Data

**Three Phase** 380V to 480V / 50Hz or 60Hz

Product Code	Control Voltage V	Speed r/min	Airflow SFP	Airflow m <sup>3</sup> /s @ Static Pressure Pa											At Best Efficiency Point		Electrical Data	dBA @ 3m		
				0	25	50	75	100	150	200	250	300	350	400	500	Overall Eff %	Input kW	Peak Amps		
SSDL500-3EC	10	1555	m <sup>3</sup> /s	1.820	1.800	1.780	1.750	1.730	1.680	1.630	1.570	1.510	1.440	1.370	1.200	51.9	1.277	2.38	Inlet	58
			W/(L/s)	0.59	0.62	0.64	0.66	0.68	0.72	0.77	0.82	0.87	0.93	0.98	1.11				Outlet	61
			Breakout	49																
	7.5	1310	m <sup>3</sup> /s	1.555	1.522	1.489	1.456	1.422	1.353	1.279	1.199	1.107	0.997	0.853	-	49.2	0.769	-	Inlet	54
			W/(L/s)	0.42	0.44	0.47	0.49	0.51	0.56	0.60	0.66	0.72	0.79	0.89	-				Outlet	57
			Breakout	44																
	5	940	m <sup>3</sup> /s	1.104	1.059	1.011	0.962	0.909	0.785	0.609	-	-	-	-	-	45.0	0.307	-	Inlet	48
			W/(L/s)	0.24	0.27	0.29	0.32	0.34	0.40	0.50	-	-	-	-	-				Outlet	48
			Breakout	34																
	2.5	585	m <sup>3</sup> /s	0.678	0.602	0.510	0.383	-	-	-	-	-	-	-	-	34.9	0.096	-	Inlet	34
			W / (L/s)	0.13	0.16	0.19	0.25	-	-	-	-	-	-	-	-				Outlet	36
			Breakout	22																

Data provided is at standard air density of 1.2 kg/m<sup>3</sup>.

ERP data in accordance with Regulation (EU) 1253/2014. Product category is NRVU. Measurement category used to determine energy efficiency: D.

A variable speed drive is integrated within the fan.

Peak Amps @ 400V / 3PH / 50Hz.

Tests and preparation of the sound data have been carried out in accordance with BS 848 Part 2:1985 at 50% peak pressure.

The overall A-weighted sound pressure level is at a distance of 3m with spherical free-field propagation. It is expressed in dB re-20μPa and is presented for comparative purposes only.

Silencer attenuation and pressure drop values calculated at 50% peak pressure.

# SINGLEFLOW SSDL



## Sound Data

Single Phase 220V to 240V / 50Hz or 60Hz

Product Code	Control Voltage V	Speed r/min		Sound Power Level dBW @ Octave Band Hz								Total dB
				63Hz	125Hz	250Hz	500Hz	1kHz	2kHz	4kHz	8kHz	
SSDL100-1EC	10	3665	Inlet	73	80	76	74	66	63	62	62	83
			Outlet	78	79	77	76	70	63	59	57	84
			Breakout	60	59	58	70	51	45	41	38	71
	7.5	3205	Inlet	73	78	75	70	63	60	60	58	81
			Outlet	75	77	76	72	67	60	56	55	82
			Breakout	58	61	58	61	50	42	38	35	66
	5	2455	Inlet	67	71	72	63	57	54	55	48	76
			Outlet	71	72	72	65	60	54	51	45	77
			Breakout	47	50	58	49	41	36	33	26	59
	2.5	1495	Inlet	58	64	62	52	45	47	36	29	67
			Outlet	61	69	63	54	48	45	34	25	71
			Breakout	36	47	53	41	30	28	20	18	54
SSDL125-1EC	10	3555	Inlet	72	79	74	72	64	62	62	62	82
			Outlet	77	78	75	74	68	62	59	57	83
			Breakout	59	58	56	68	49	44	41	38	69
	7.5	3205	Inlet	72	77	73	68	61	59	60	58	80
			Outlet	74	76	74	70	65	59	56	55	80
			Breakout	57	60	56	59	48	41	38	35	64
	5	2455	Inlet	66	70	70	61	55	53	55	48	74
			Outlet	70	71	70	63	58	53	51	45	76
			Breakout	46	49	56	47	39	35	33	26	58
	2.5	1495	Inlet	57	63	60	50	43	46	36	29	66
			Outlet	60	68	61	52	46	44	34	25	69
			Breakout	35	46	51	39	28	27	20	18	53
SSDL150-1EC	10	3480	Inlet	72	77	73	70	63	61	62	61	80
			Outlet	76	76	74	72	67	61	58	57	81
			Breakout	59	57	55	64	49	43	40	37	66
	7.5	3205	Inlet	72	75	72	67	61	59	60	58	79
			Outlet	74	74	73	69	65	59	56	55	79
			Breakout	57	58	55	58	48	41	38	35	63
	5	2455	Inlet	66	68	69	60	55	53	55	48	73
			Outlet	70	69	69	62	58	53	51	45	75
			Breakout	46	47	55	46	39	35	33	26	57
	2.5	1225	Inlet	57	61	59	49	43	46	36	29	64
			Outlet	60	66	60	51	46	44	34	25	68
			Breakout	35	44	50	38	28	27	20	18	51
SSDL200-1EC	10	2410	Inlet	79	76	79	71	66	62	60	59	83
			Outlet	80	80	79	73	69	64	58	52	85
			Breakout	61	63	65	56	53	44	40	35	68
	7.5	2305	Inlet	74	73	75	67	61	57	56	55	79
			Outlet	74	74	75	68	64	59	54	47	80
			Breakout	58	63	62	51	48	39	35	30	66
	5	1540	Inlet	67	72	66	59	51	47	54	35	74
			Outlet	66	72	67	59	53	49	48	32	74
			Breakout	42	56	50	43	37	28	28	17	57
	2.5	770	Inlet	58	54	48	39	32	27	27	22	60
			Outlet	57	56	50	40	34	27	23	20	60
			Breakout	32	37	37	27	22	16	16	13	41
SSDL250-1EC	10	2545	Inlet	77	74	77	69	65	62	60	59	81
			Outlet	78	78	77	71	68	64	58	52	83
			Breakout	59	61	63	54	52	44	40	35	67
	7.5	2280	Inlet	71	71	73	65	60	57	56	54	77
			Outlet	71	72	73	66	63	59	53	47	77
			Breakout	56	60	59	49	47	39	34	29	64
	5	1485	Inlet	64	69	63	56	49	46	52	34	71
			Outlet	63	69	64	56	51	48	46	31	71
			Breakout	39	53	47	40	35	27	27	17	54
	2.5	710	Inlet	56	51	45	35	29	25	25	21	57
			Outlet	55	52	46	36	32	25	21	19	57
			Breakout	29	34	34	23	20	15	15	13	38

Data provided at standard air density of 1.2 Kg/m<sup>3</sup>.  
 Tests and preparation of the sound data have been carried out in accordance with BS 848 Part 2:1985 at 50% peak pressure.  
 The Sound Power Level Spectra are in dB re-1pW.

# SINGLEFLOW SSDL



## Sound Data

Single Phase 220V to 240V / 50Hz or 60Hz

Product Code	Control Voltage V	Speed r/min		Sound Power Level dBW @ Octave Band Hz								Total dB
				63Hz	125Hz	250Hz	500Hz	1kHz	2kHz	4kHz	8kHz	
SSDL315-1EC	10	2145	Inlet	82	85	94	75	69	66	64	59	95
			Outlet	81	85	90	78	72	69	63	55	92
			Breakout	59	69	66	61	51	45	41	36	72
	7.5	1940	Inlet	81	85	89	72	67	64	61	56	91
			Outlet	80	84	89	77	70	66	61	52	91
			Breakout	57	71	63	58	49	43	39	33	72
	5	1290	Inlet	78	85	70	62	57	54	51	44	86
			Outlet	77	79	72	64	60	55	49	39	82
			Breakout	53	75	53	47	40	33	28	24	75
	2.5	645	Inlet	79	64	58	48	44	40	39	23	79
			Outlet	75	65	59	51	47	40	33	21	76
			Breakout	52	49	42	37	32	19	16	15	54
SSDL400-1EC	10	1620	Inlet	83	83	83	77	67	66	68	66	88
			Outlet	84	83	86	76	73	69	67	62	90
			Breakout	63	67	69	62	55	50	49	44	72
	7.5	1445	Inlet	80	82	79	73	62	63	64	58	86
			Outlet	81	81	80	71	68	65	63	57	86
			Breakout	61	65	63	59	50	46	45	37	69
	5	960	Inlet	75	81	66	60	54	59	53	38	82
			Outlet	74	76	65	61	59	56	48	33	78
			Breakout	52	63	53	52	43	38	33	21	64
	2.5	480	Inlet	70	61	52	48	55	46	30	23	71
			Outlet	67	61	53	51	53	42	27	19	68
			Breakout	43	52	44	46	40	25	16	16	54
SSDL500-1EC	10	1310	Inlet	78	87	78	64	60	59	58	54	88
			Outlet	79	86	79	72	68	66	60	55	88
			Breakout	67	70	67	57	55	44	38	29	73
	7.5	1225	Inlet	77	86	76	62	58	58	57	52	87
			Outlet	78	85	77	70	67	64	58	53	87
			Breakout	66	69	64	55	53	43	37	26	72
	5	900	Inlet	73	81	65	54	50	51	47	40	82
			Outlet	73	80	68	62	58	55	50	42	81
			Breakout	61	64	55	47	40	33	28	18	66
	2.5	560	Inlet	73	65	54	47	41	44	34	35	74
			Outlet	72	65	56	52	46	46	37	36	73
			Breakout	60	51	47	41	33	25	22	26	61

Data provided at standard air density of 1.2 Kg/m<sup>3</sup>.  
 Tests and preparation of the sound data have been carried out in accordance with BS 848 Part 2:1985 at 50% peak pressure.  
 The Sound Power Level Spectra are in dB re-1pW.



# SINGLEFLOW SSDL



## Sound Data

**Three Phase** 380V to 480V / 50Hz or 60Hz

Product Code	Control Voltage V	Speed r/min		Sound Power Level dBW @ Octave Band Hz								Total dB
				63Hz	125Hz	250Hz	500Hz	1kHz	2kHz	4kHz	8kHz	
SSDL500-3EC	10	1555	Inlet	81	81	87	66	62	63	61	59	89
			Outlet	82	82	88	77	71	68	63	58	90
			Breakout	70	65	78	65	51	51	47	43	79
	7.5	1310	Inlet	79	83	81	64	60	61	59	55	86
			Outlet	80	84	82	74	68	66	61	55	87
			Breakout	68	67	72	62	48	49	45	39	75
	5	940	Inlet	75	83	67	55	53	55	52	42	84
			Outlet	75	81	69	63	60	59	54	43	82
			Breakout	63	65	58	53	40	42	38	27	68
	2.5	585	Inlet	74	65	54	43	46	46	35	36	75
			Outlet	74	64	56	51	50	48	37	36	75
			Breakout	62	48	45	41	32	32	21	20	62

Data provided at standard air density of 1.2 Kg/m<sup>3</sup>.  
 Tests and preparation of the sound data have been carried out in accordance with BS 848 Part 2:1985 at 50% peak pressure.  
 The Sound Power Level Spectra are in dB re-1pW.

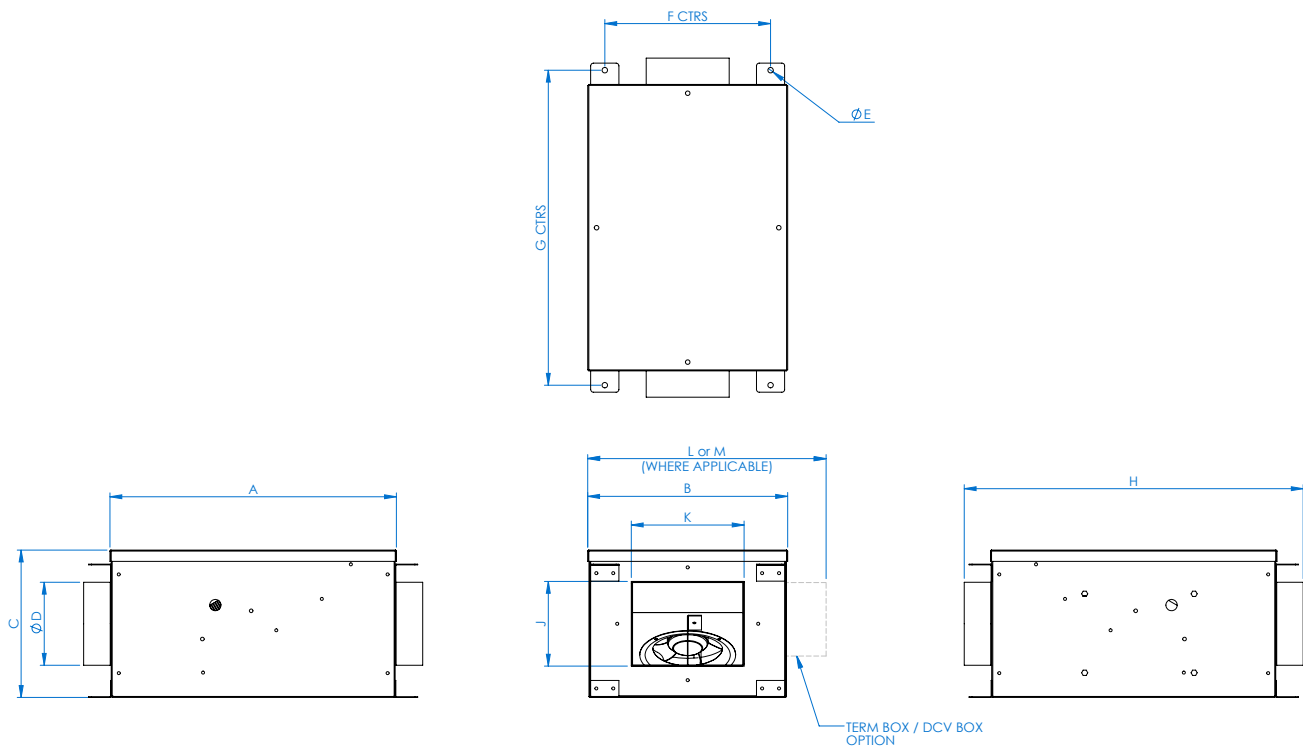
# SINGLEFLOW SSDL



## Dimensional Data

### Single & Three Phase

Product Code	A	B	C	D	E	F	G	H	J*	K*	"L (W/ TERM BOX)"	"M (W/ DCV)"	Weight Kg
<b>SSDL100</b>	504	354	261	97	10	294	559	599	148	198	B + 74	B + 88	15
<b>SSDL125</b>	504	354	261	122		294	559	599	148	198			15
<b>SSDL150</b>	504	354	261	147		294	559	599	148	198			15
<b>SSDL200</b>	555	404	316	197		344	610	650	204	204			18
<b>SSDL250</b>	605	454	376	247		394	660	700	254	254			26
<b>SSDL315</b>	655	579	451	312		519	710	750	348	378			37
<b>SSDL400</b>	875	754	601	397		694	930	970	448	598			64
<b>SSDL500</b>	875	754	601	497		694	930	970	498	598			65



\* Rectangular Spigot Version  
All dimensions are expressed in mm.

# SINGLEFLOW SSDL



## Accessories

### Single Phase

Product Code	EC Electronic Controller	Box Fan Flexible Connectors (each)	Fast Clamps (each)	AV Mounts (set of 4)*	Panel Filter	Electric Heater Battery
<b>SSDL100-1EC</b>	149-POT-10-MI	018-0100-FLEX	018-100-CLAMP	062-SEL03	018-0100-FILT-P	018-CV10-06-1M
<b>SSDL125-1EC</b>	149-POT-10-MI	018-0125-FLEX	018-125-CLAMP	062-SEL03	018-0125-FILT-P	018-CV12-12-1M
<b>SSDL150-1EC</b>	149-POT-10-MI	018-0150-FLEX	018-150-CLAMP	062-SEL03	018-0150-FILT-P	018-CV15-27-1M
<b>SSDL200-1EC</b>	149-POT-10-MI	018-0200-FLEX	018-200-CLAMP	062-SEL03	018-0200-FILT-P	018-CV20-30-1M
<b>SSDL250-1EC</b>	149-POT-10-MI	018-0250-FLEX	018-250-CLAMP	062-SEL03	018-0250-FILT-P	018-CV25-30-1M
<b>SSDL315-1EC</b>	149-POT-10-MI	018-0315-FLEX	018-315-CLAMP	062-SEL04	018-0315-FILT-P	018-CV31-30-1M
						018-CV31-45-1M
						018-CV31-90-3M
<b>SSDL400-1EC</b>	149-POT-10-MI	018-0400-FLEX	018-400-CLAMP	062-SEL05	018-0400-FILT-P	018-CV40-90-3M
						018-CV40-120-3M
<b>SSDL500-1EC</b>	149-POT-10-MI	018-0500-FLEX	018-500-CLAMP	062-SEL05	018-0500-FILT-P	-

Product Code	Spigot Silencer 300mm Long	Spigot Silencer 600mm Long	Spigot Silencer 900mm Long	Spigot Silencer 1200mm Long	DCV Control	Wiring Diagram
<b>SSDL100-1EC</b>	068-0100-JF1	068-0100-JF2	068-0100-JF3	068-0100-JF4	149-DCV-MK3	152-712
<b>SSDL125-1EC</b>	068-0125-JF1	068-0125-JF2	068-0125-JF3	068-0125-JF4	149-DCV-MK3	152-712
<b>SSDL150-1EC</b>	068-0150-JF1	068-0150-JF2	068-0150-JF3	068-0150-JF4	149-DCV-MK3	152-712
<b>SSDL200-1EC</b>	068-0200-JF1	068-0200-JF2	068-0200-JF3	068-0200-JF4	149-DCV-MK3	152-712
<b>SSDL250-1EC</b>	068-0250-JF1	068-0250-JF2	068-0250-JF3	068-0250-JF4	149-DCV-MK3	152-712
<b>SSDL315-1EC</b>	068-0315-JF1	068-0315-JF2	068-0315-JF3	068-0315-JF4	149-DCV-MK3	152-712
<b>SSDL400-1EC</b>	068-0400-JF1	068-0400-JF2	068-0400-JF3	068-0400-JF4	149-DCV-MK3	152-712
<b>SSDL500-1EC</b>	068-0500-JF1	068-0500-JF2	068-0500-JF3	068-0500-JF4	149-DCV-MK3	152-712

### Three Phase

Product Code	EC Electronic Controller	Box Fan Flexible Connectors (each)	Fast Clamps (each)	AV Mounts (set of 4)*	Panel Filter
<b>SSDL500-3EC</b>	149-POT-10-MI	018-0500-FLEX	018-500-CLAMP	062-SEL05	018-0500-FILT-P

Product Code	Spigot Silencer 300mm Long	Spigot Silencer 600mm Long	Spigot Silencer 900mm Long	Spigot Silencer 1200mm Long	DCV Control	Wiring Diagram
<b>SSDL500-3EC</b>	068-0500-JF1	068-0500-JF2	068-0500-JF3	068-0500-JF4	149-DCV-MK3	152-713

\*Supplied as a single mount.

# EC ELECTRONIC CONTROLLER

## Accessories

- EC Type fans
- Variable Speed Drives (Inverters)



Product  
Code

149-POT-10-MI

Dimensions are in mm.