

These instructions refer to the following controller:-

SAC 3 220-240V A.C 50Hz Maximum load for this controller is 200W

IMPORTANT: READ THESE INSTRUCTIONS BEFORE COMMENCING INSTALLTION.

DO NOT install this product in areas where the following may be present or occur.

- Excessive oil or grease laden atmosphere
- Corrosive or flammable gases, liquids or vapours.
- Ambient temperatures higher than 40°C or less than -5°C.
- Relative humidity above 95%

SAFETY AND GUIDANCE NOTES

- All wiring must be in accordance with the current IEE Regulations, or the appropriate standards of your country.
- The control switch should be provided with a local double pole isolator switch having a contact separation of at least 3mm.
- Ensure that the mains supply (Voltage, Frequency and phase) complies with the rating label.
- The control switch should only be used in conjunction with the appropriate Vent-Axia product.
- It is recommended that the connection to the terminal box be made with flexible cable/conduit.
- This control switch should not be used where it is liable to be subject to direct water spray from hoses etc.
- This appliance can be used by children aged from 8 years and above and persons with reduced physical, sensory and mental capabilities or lack of experience and knowledge if they have been given supervision or instruction concerning the use of the appliance in a safe way and understand the hazards involved.
- Children shall not play with the appliance.
- Cleaning and user maintenance shall not be made by children without supervision.

INSTALLATION

The controller is suitable for surface mounting only. Remove front cover and ensure back box is securely fixed to the wall in a well-ventilated area. Route supply and load cables through the "knock-out" holes provide

If the controller is mounted on a conductive (metal) surface, that surface must be earthed.

GENERAL WIRING

WARNING:-The control Equipment **Must Be** isolated from the power supply during installation and/or maintenance. The Equipment must be earthed.

Connect the power supply from the local isolator (via any appropriate controls if fitted) and the load supply to the back box via an appropriate cable gland. Refer to the wiring diagram. Ensure that all earth connections to the fan(s) have been made.

After completing and checking the connections to the controller replace the front cover ensuring that it is correctly seated in place. Ensure that all cable gland/grommet fixings and lid fixings are tightened correctly to prevent water ingress.

OPERATION

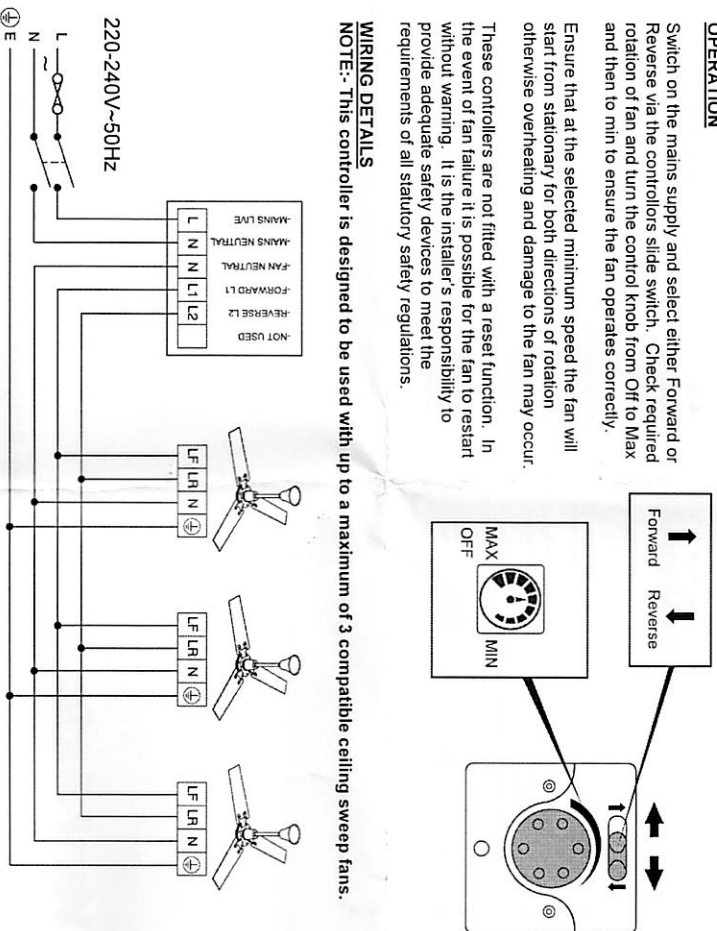
Switch on the mains supply and select either Forward or Reverse via the controller's slide switch. Check required rotation of fan and turn the control knob from Off to Max and then to min to ensure the fan operates correctly.

Ensure that at the selected minimum speed the fan will start from stationary for both directions of rotation otherwise overheating and damage to the fan may occur.

These controllers are not fitted with a reset function. In the event of fan failure it is possible for the fan to restart without warning. It is the installer's responsibility to provide adequate safety devices to meet the requirements of all statutory safety regulations.

WIRING DETAILS

NOTE:- This controller is designed to be used with up to a maximum of 3 compatible ceiling sweep fans.



THIS CONTROLLER IS FITTED WITH AN INTERNAL FUSE TO PROTECT CONTROLLER WIRING AND COMPONENTS. IT IS NOT DESIGNED TO PROVIDE MOTOR OVERLOAD PROTECTION. ADDITIONAL CONTROL EQUIPMENT IS NECESSARY FOR THIS FUNCTION