



SKYFLOW SSR

Horizontal Roof Cowl

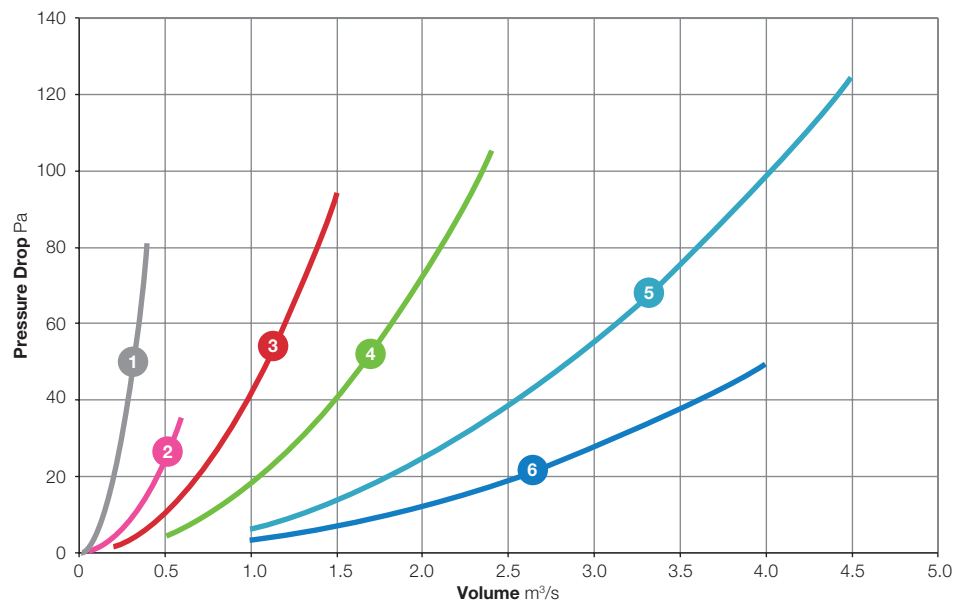
SKYFLOW SSR

Overview

- UV stabilised
- Maintenance free
- Up to 30° roof pitch
- Goose Wing Grey paint finish (BS 00-A-05)



Cowl Pressure Drop Curve



- | | |
|------------|------------|
| 1 SSR25 | 4 SSR50/56 |
| 2 SSR31/35 | 5 SSR63/71 |
| 3 SSR40/45 | 6 SSR80 |

Options

Available with Bird Guard & Shutters, or alternatively with Bird Guard only.

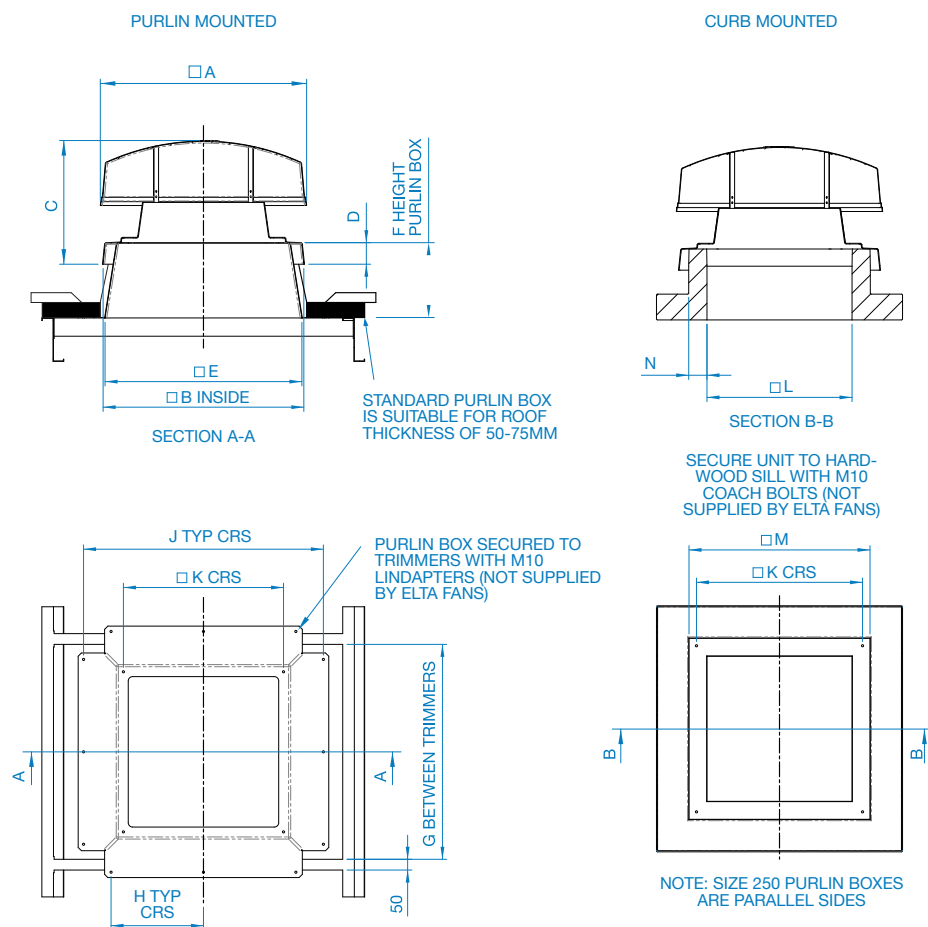
Product Code	Product Code (c/w Bird Guard)	Product Code (c/w Bird Guard & Shutters)
SSR25	SSR25B	SSR25BS
SSR31/35	SSR31/35B	SSR31/35BS
SSR40/45	SSR40/45B	SSR40/45BS
SSR50/56	SSR50/56B	SSR50/56BS
SSR63/71	SSR63/71B	SSR63/71BS
SSR80	SSR80B	SSR80BS

Determine pressure loss against required flow rate and add pressure loss value to system design pressure, verify that fan selection can accommodate extra pressure loss. Original design: flow rate (m³/s) and pressure (Pa), with cowl becomes flow rate (m³/s) and (pressure (Pa) + pressure loss (Pa) from curve).

SKYFLOW SSR

Dimensional Data

Product Code	A	B	C	D	E	F	G	H	J	K	L	M	N	Weight kg*
SSR25	500	475	318	80	428	240	428	175	542	380	340	440	50	4
SSR31/35	710	684	378	85	610	240	636	250	750	500	460	610	75	8
SSR40/45	800	784	478	90	730	250	756	300	870	600	550	700	75	9
SSR50/56	960	934	575	100	860	250	886	350	1000	745	700	850	75	15
SSR63/71	1230	1054	660	105	1000	250	1026	435	1140	870	830	980	75	23
SSR80	1400	1174	670	100	1076	270	1076	470	1190	-	950	1100	75	33



Dimensions are in mm.
Weight excludes Purlin box.

Building Services

Tel **+44 (0) 1384 275800**
Fax **+44 (0) 1384 275810**
Email **info@eltafans.co.uk**

46 Third Avenue, Pensnett Trading Estate, Kingswinford,
West Midlands, DY6 7US United Kingdom

Applied Technology & Building Services Export

Tel **+44 (0) 1489 566500**
Fax **+44 (0) 1489 566555**
Email **at@eltafans.co.uk / export@eltafans.co.uk**

17 Barnes Wallis Road, Segensworth East Industrial Estate,
Fareham, Hampshire, PO15 5ST United Kingdom

eltafans.com

SSR-11-2018 Issue B



BS EN ISO 9001:2015 FM 556465

