

AR 250E2 sileo Axial fan

Axial fan

Item Number: [37376](#)

Variant: 230V 1~ 50Hz

Speed controllable by voltage reduction, plus option of 2-step operation by D/Y switching for 400V versions.

Safe and maintenance free operation.

Can be installed in any mounting position.

Electric connection via terminal box mounted on the casing.

Axial fans of the AR sileo range do have a sickle shape of the fan blade, and are driven by external rotor motors. The AR range is mounted in a round casing according Eurovent 1/2, galvanized steel and powder coated in black (RAL9005). The axial impeller is manufactured from sheet steel black coated. The impeller is balanced dynamically in two levels in accordance with DIN ISO 1940 part 1, quality G6.3.

The motors are equipped with thermal contacts for motor protection, with leads to be connected to a motor protection unit.



Technical parameters

Norminal data		
Voltage (Nominal)	230	V
Frequency	50	Hz
Phase(s)	1~	
Motor circuit connection	D	
Input power	148	W
Input current	0.647	A
Impeller speed	2,289	r.p.m.
Air flow	max 0.496	m³/s
Capacitance of capacitor	3	µF
Temperature of transported air	max 65	°C
Max temperature of transported air, when speed controlled	65	°C

Sound data

Sound pressure level at 1m	66 dB(A)
----------------------------	----------

Protection/Classification

Enclosure class, motor	IP44
------------------------	------

Insulation class	B
------------------	---

Dimensions and weights

Duct dimension; Circular, inlet	250 mm
---------------------------------	--------

Duct dimension; Circular, outlet	250 mm
----------------------------------	--------

Weight	4.2 kg
--------	--------

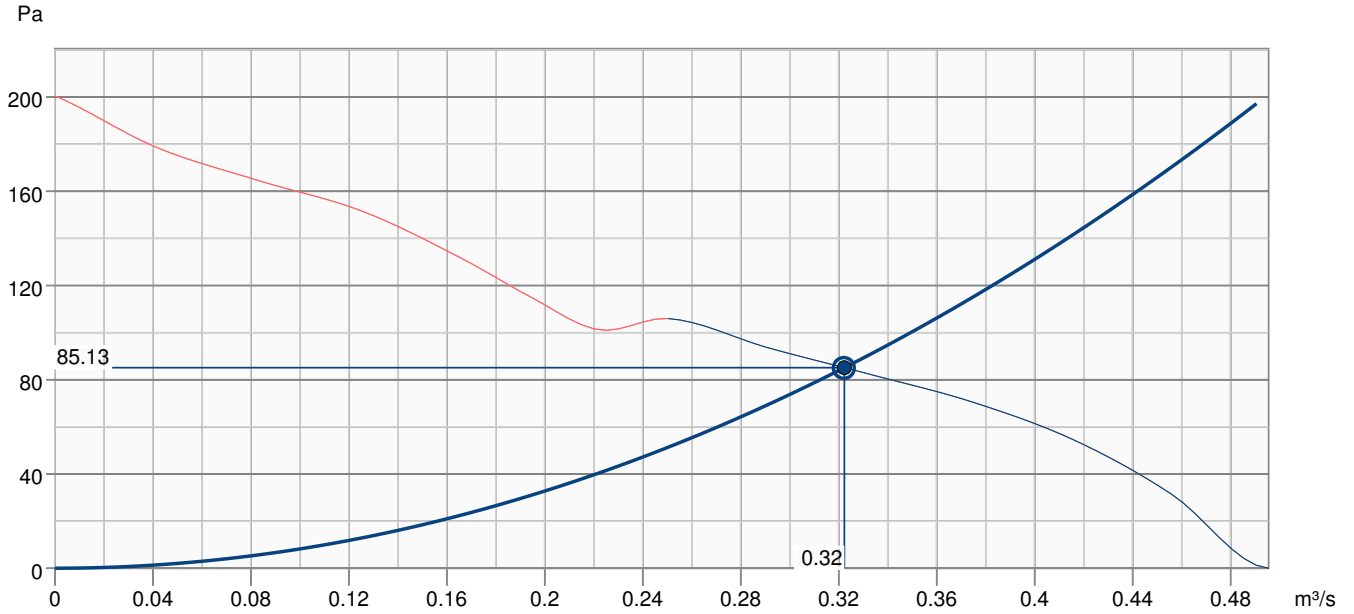
Others

Duct connection type	Circular
----------------------	----------

Color name, casing	Black
--------------------	-------

Motor type	AC
------------	----

Performance curve

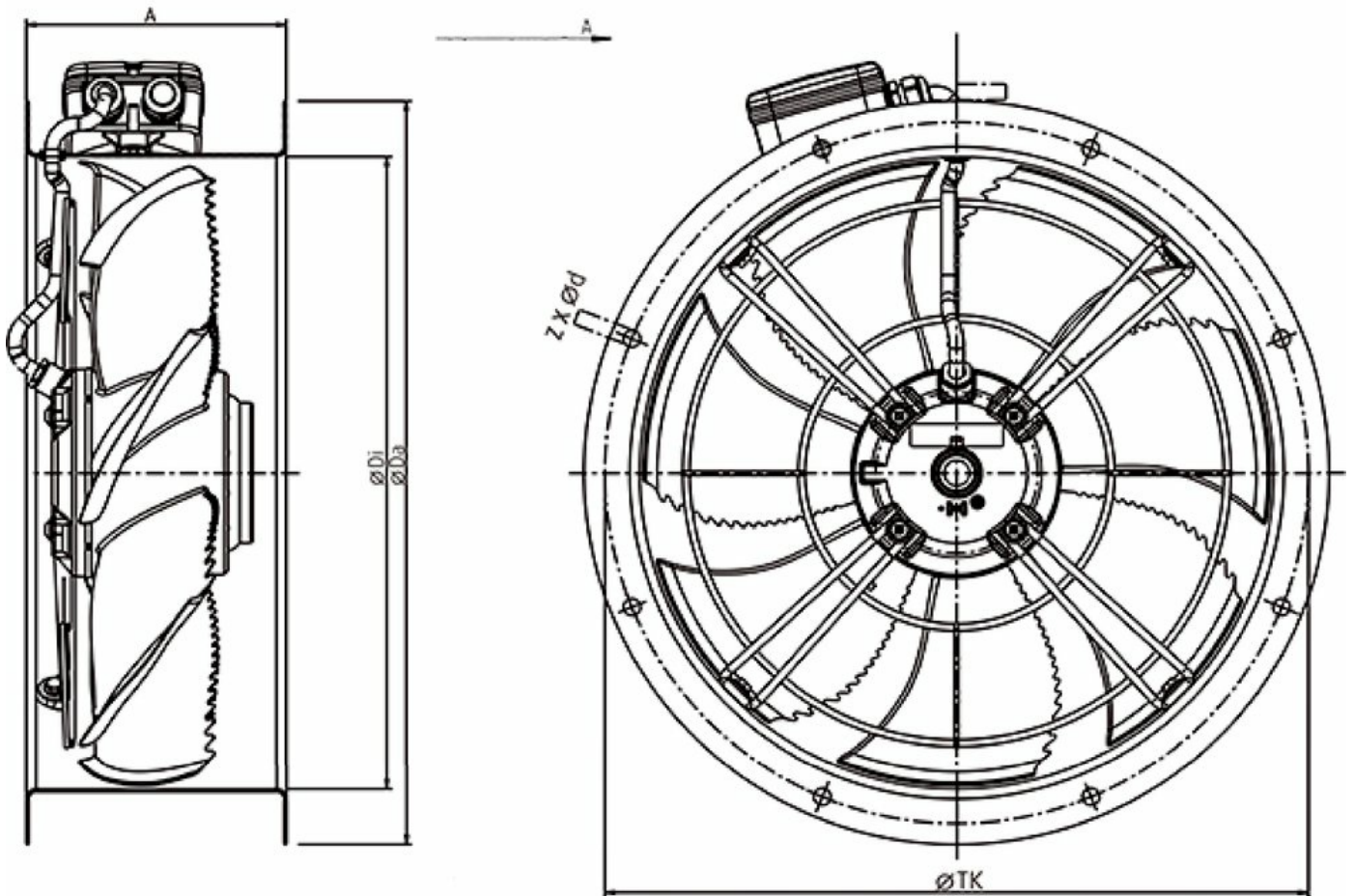


Hydraulic data

Required air flow	0.32 m³/s
Required static pressure	85 Pa
Working air flow	0.32 m³/s
Working static pressure	85 Pa
Air density	1.204 kg/m³
Power	146.8 W
Fan control - RPM	2305 rpm
Current	0.64 A
SFP	0.455 kW/m³/s
Control voltage	230.0 V
Supply voltage	230 V

Sound power level		63	125	250	500	1k	2k	4k	8k	Total
Inlet	dB(A)	35	57	68	71	70	72	68	58	77
Outlet	dB(A)	36	58	68	72	71	73	69	59	78

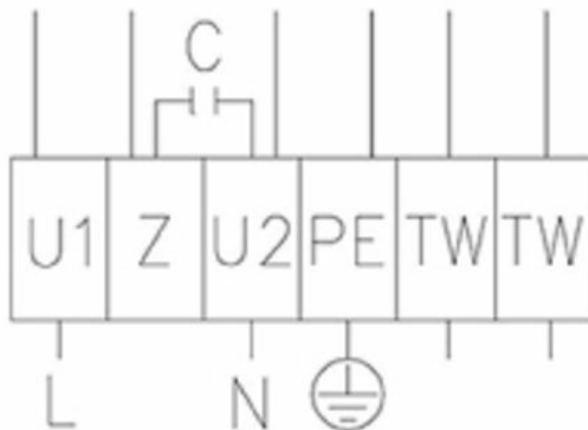
Dimension



	A	ØDi	ØDa	ØTK	z x Ød
AR 250 sileo	135	257	305	280	4 x Ø7

Wiring

Einphasen-Wechselstrommotor mit Betriebskondensator Singlephase AC motor with capacitor



U₁ =blau/blue
Z =braun/brown
U₂ =schwarz/black
PE =grün/gelb
green/yellow

U1 = blue = blau
U2 = black = schwarz
Z = brown = braun
PE = yellow/green = grün-gelb

Accessories

- AWE-SK Motorprotection 2A/230V (5138)
- GFL-AR/AXCBF 250 counterflange (311162)
- REE 1 Speed control (5314)
- REV-5POL/05 ON/OFF (33979)
- S-ET 10 Motor Protection (5154)
- SG AR/AXCBF 250 guard grill (313299)
- EV-AR 250 flex.conn. 70°C (311174)
- MFA-AR/AXCBF 250 mounting foot (313300)
- REU 1.5 Speed control (5004)
- RTRE 1,5 Speed control (5008)
- S-ET 10 Motor Protection (161199)
- STL 1.5 Speed controller (84251)

Documents

- IMO - 37376 - AR 250E2 SILEO.PDF
- EU_DECLARATION_OF_CONFORMITY_AXIAL_FANS_EN_003.PDF
- installation variations_2_AR_AW.pdf

Specification